

General Description

Series R4V*5 and R6V*5 pressure relief valves feature a manual adjustment pilot stage which controls a seated type main stage.

A vent function with a solenoid operated directional valve is available for circulation at minimum pressure.

Features

- Pilot operated with manual adjustment
- 2 interfaces:
 - Subplate, ISO 6264 (DIN 24340 Form D) with VV01 vent valve (R4V)
 - Subplate, ISO 6264 (DIN 24340 Form E) with CETOP 03 vent valve (R6V)
- 3 pressure ranges
- 3 adjustment modes:
 - Hand knob
 - Acorn nut with lead seal
 - Key lock
- Remote control via port X

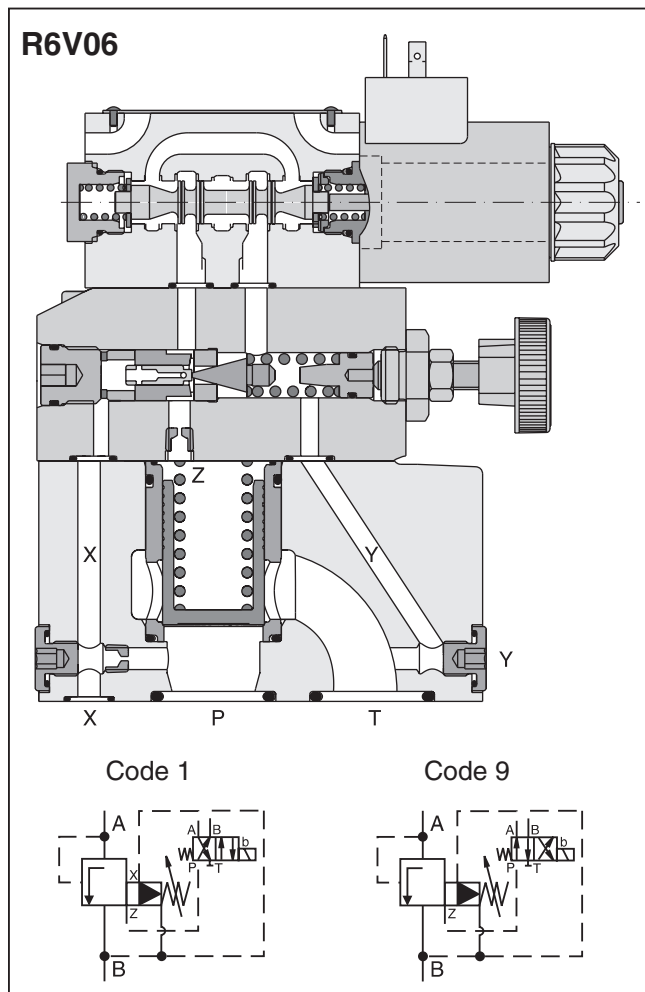
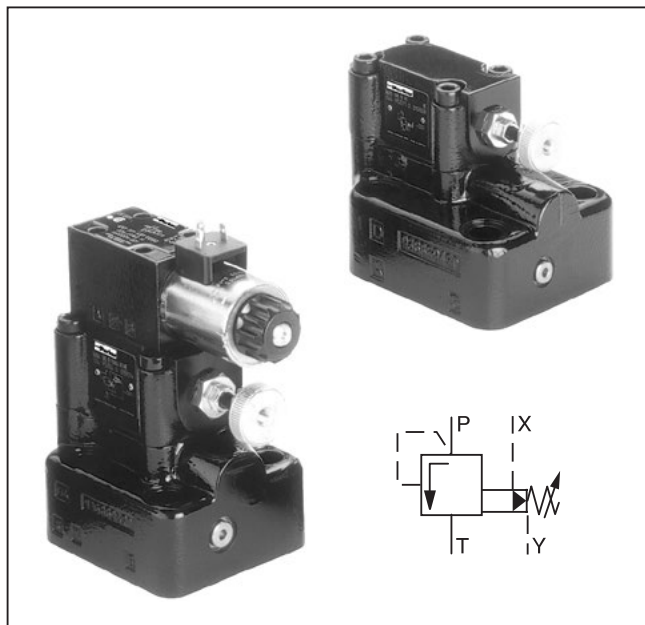
Function

System pressure in port P is applied via the X gallery to the spring loaded cone in the pilot head. The pilot head controls the pressure in the Z area on top of the main cartridge which is additionally kept close by the main spring.

If the pilot pressure exceeds the setting pressure the pilot cone opens and thus limits the pilot pressure.

When the system pressure exceeds the pilot pressure plus the spring force, the main cartridge opens to port T and limits the pressure in port P to the adjusted level.

Additionally to the relief function, a solenoid operated vent valve connects the Z area to tank. This allows oil circulation from P to T at minimum pressure drop. The vent valve can either be a standard CETOP 03 valves (mounting form E) or a sandwich unit (mounting form D). For both types the vent position can be either at the energized or de-energized solenoid.



WARNING: This product can expose you to chemicals including Lead, Nickel (Metallic), or 1,3-Butadiene which are known to the State of California to cause cancer, and Lead or 1,3-Butadiene which is known to the State of California to cause birth defects and other reproductive harm. For more information go to www.P65Warnings.ca.gov.

R		V		5							
Pressure Relief Valve	Interface	Relief Function	Size	Maximum Pressure 350 Bar (5075 PSI)	Drain Port	Pressure Range	Adjustment	Pilot Oil Drain Line	Design Series	Seal	Options Check with Factory

Code	Description
03	NG10
06	NG25
10	NG32

Code	Interface	Drain	Aux Port
3	R4V	Y-port	NPT
7	R4V	Y-port	SAE
9	R4V	Y-port	BSP
9	R6V	Y-port	BSP

Code	Description
1	up to 105 Bar (1523 PSI)
3	up to 210 Bar (3045 PSI)
5	up to 350 Bar (5075 PSI)

Code	Description
1	Hand Knob 32mm dia. (Standard)
3	Acorn Nut with Lead Seal
4	Key Lock

Code	Description
A	R4V
B	R6V

Code	Description
0 ¹⁾	Internal
1 ¹⁾	External from Subplate
2	External from Valve Body (Y-port)

1) Only with drain port 3

Code	Description	
4	Subplate Mounting ISO 6264	
6		



Weight:

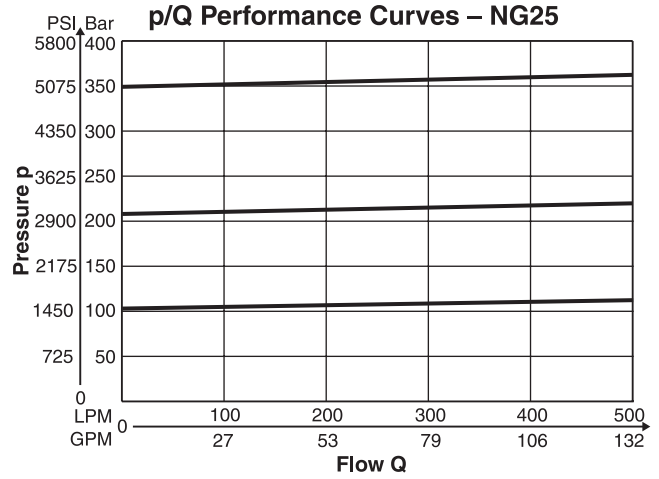
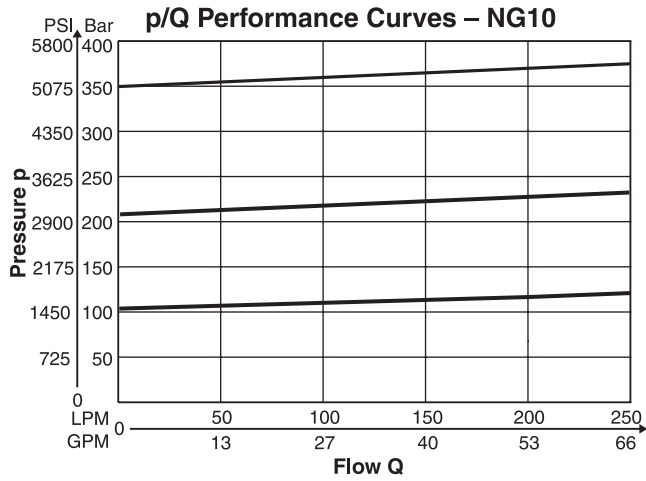
R4V03	2.7 kg (6.0 lbs.)
R4V06	4.5 kg (9.9 lbs.)
R4V10	6.0 kg (13.2 lbs.)
R6V03	4.5 kg (9.9 lbs.)
R6V06	5.8 kg (12.8 lbs.)
R6V10	7.8 kg (17.2 lbs.)

R4V and R6V

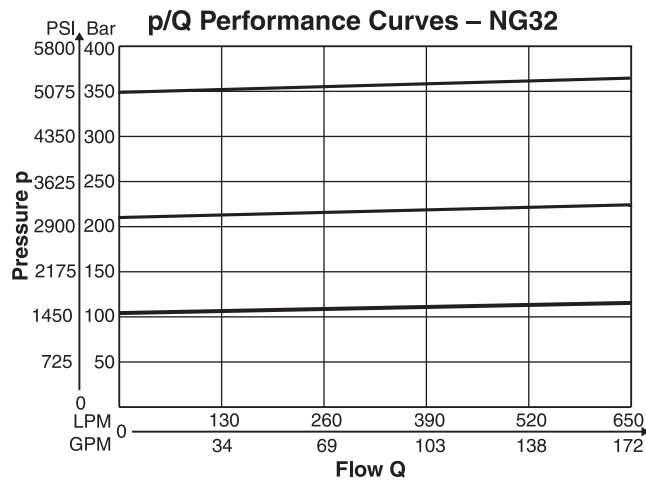
General		NG10		NG25		NG32	
Size		NG10		NG25		NG32	
Interface		Subplate mounting acc. ISO 6264 (DIN 24340)					
Mounting Position		As desired, horizontal mounting preferred					
Ambient Temperature		-20°C to +80°C (-4°F to +176°F)					
Hydraulic							
Operating Pressure		Ports P or A and X up to 350 Bar (5075 PSI), Port T or B and Y depressurized					
Pressure Range		105, 210, 350 Bar (1523, 3045, 5075 PSI)					
Nominal Flow	Series R4V	150 LPM (39.7 GPM)		350 LPM (92.6 GPM)		650 LPM (172.0 GPM)	
	Series R6V	250 LPM (66.1 GPM)		500 LPM (132.3 GPM)		650 LPM (172.0 GPM)	
Fluid		Hydraulic oil according to DIN 51524 ... 51525					
Viscosity	Recommended Permitted	30 to 50 cSt / mm ² /s (139 to 232 SSU) 20 to 380 cSt / mm ² /s (93 to 1761 SSU)					
Fluid Temperature	Recommended Maximum	+30°C to +50°C (+86°F to +122°F) -20°C to +70° (-4°F to +158°F)					
Filtration		ISO 4406 (1999), 18/16/13					

R4V and R6V with Vent Function

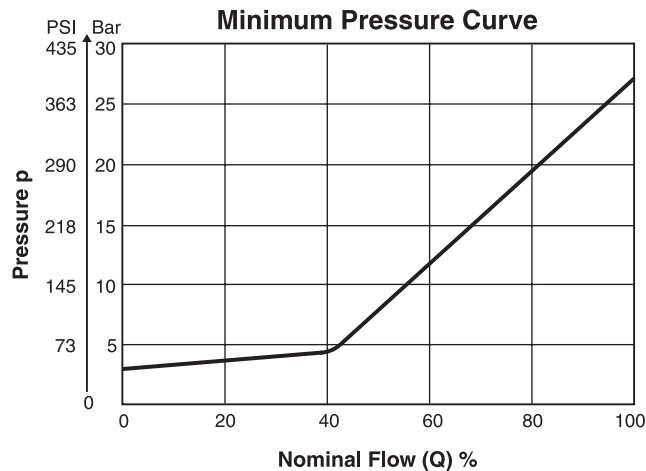
General		NG10		NG25		NG32	
Size		NG10		NG25		NG32	
Interface		Subplate mounting acc. ISO 6264 (DIN 24340)					
Mounting Position		As desired, horizontal mounting preferred					
Ambient Temperature		-20°C to +80°C (-4°F to +176°F)					
Hydraulic							
Operating Pressure		Ports P or A and X up to 350 Bar (5075 PSI), Port T or B and Y depressurized					
Pressure Range		105, 210, 350 Bar (1523, 3045, 5075 PSI)					
Nominal Flow	Series R4V	150 LPM (39.7 GPM)		350 LPM (92.6 GPM)		650 LPM (172.0 GPM)	
	Series R6V	250 LPM (66.1 GPM)		500 LPM (132.3 GPM)		650 LPM (172.0 GPM)	
Fluid		Hydraulic oil according to DIN 51524 ... 51525					
Viscosity	Recommended Permitted	30 to 50 cSt / mm ² /s (139 to 232 SSU) 20 to 380 cSt / mm ² /s (93 to 1761 SSU)					
Fluid Temperature		-20°C to +70° (-4°F to +158°F)					
Filtration		ISO 4406 (1999), 18/16/13					
Electrical (solenoid)							
Duty Cycle		100% ED CAUTION: Coil temperature up to 180°C (356°F)					
Solenoid Connector		Connector acc. to EN 175301-803					
Protection Class		IP65 in accordance with EN 60529 (plugged and mounted)					
	Code	G0R	G0Q	GAR	GAG	W30	W31
Supply Voltage		12V	24V	98V	205V	110 at 50Hz 120 at 60Hz	230 at 50Hz 240 at 60Hz
Supply Tolerance		+5...-10	+5...-10	+5...-10	+5...-10	+5...-10	+5...-10
Power Consumption	Hold	31W	31W	31W	31W	78W	78W
	In Rush	31W	31W	31W	31W	264W	264W
Switching Frequency		16,000 (DC), 7200 (AC) switchings/hour maximum					
Wiring Minimum		3 x 1.5 mm ² Recommended					
Wiring Length Maximum		50 m (164 ft.) Recommended					



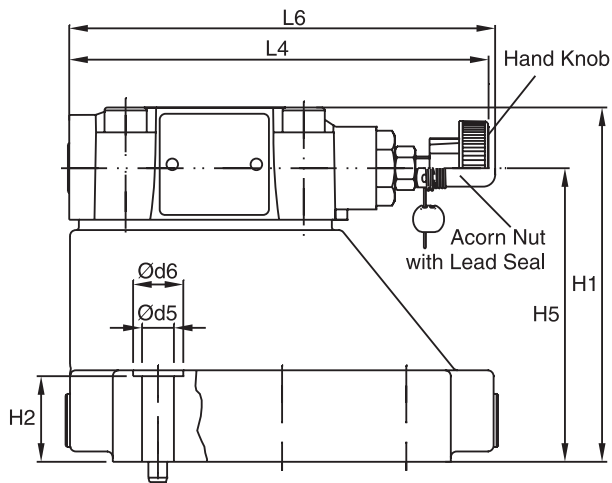
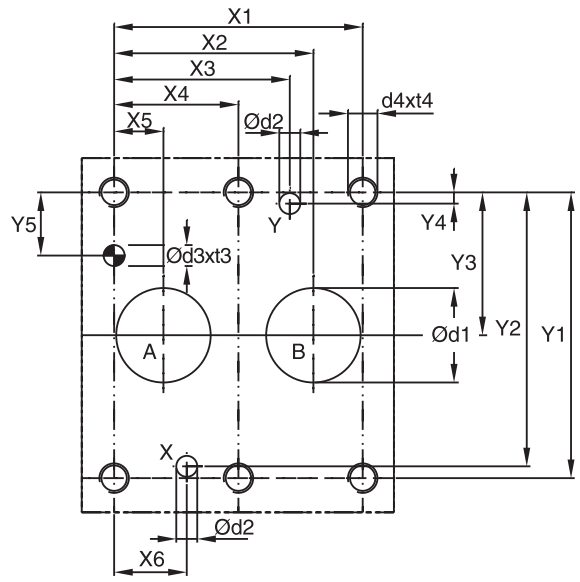
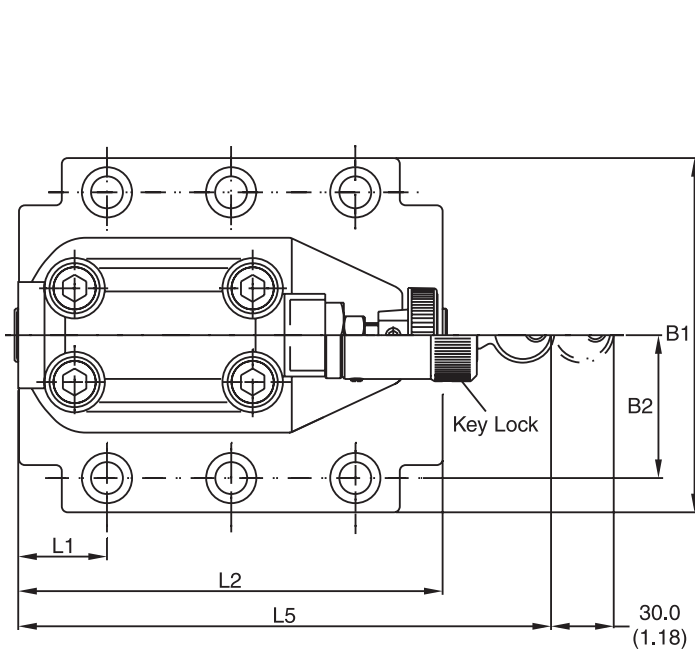
D



The performance curves are measured with external drain.
 For internal drain the tank pressure has to be added to curve.



D



Dimensions

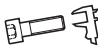
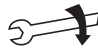
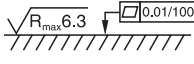
Inch equivalents for millimeter dimensions are shown in (**)

NG	ISO-code	x1	x2	x3	x4	x5	x6	x7	y1	y2	y3	y4	y5	y6
10	6264-06-07-*-97	42.9 (1.69)	35.8 (1.41)	21.5 (0.85)	–	7.2 (0.28)	21.5 (0.85)	0.0 (0.00)	66.7 (2.63)	58.8 (2.31)	33.4 (1.31)	7.9 (0.31)	14.3 (0.56)	–
25	6264-08-11-*-97	60.3 (2.37)	49.2 (1.94)	39.7 (1.56)	–	11.1 (0.44)	20.6 (0.81)	0.0 (0.00)	79.4 (3.13)	73.0 (2.87)	39.7 (1.56)	6.4 (0.25)	15.9 (0.63)	–
32	6264-10-15-*-97	84.2 (3.31)	67.5 (2.66)	59.5 (2.34)	42.1 (1.66)	16.7 (0.66)	24.6 (0.97)	0.0 (0.00)	96.8 (3.81)	92.8 (3.65)	48.4 (1.91)	3.8 (0.15)	21.4 (0.84)	–

Tolerance at X and Y pin holes and screw holes ±0.1, at port holes ±0.2.

NG	ISO-code	B1	B2	H1	H2	H3	H4	H5	H6	L1	L2	L3	L4	L5	L6
10	6264-06-07-*-97	87.3 (3.44)	33.4 (1.31)	83.0 (3.27)	21.0 (0.83)	–	–	62.5 (2.46)	–	29.0 (1.14)	94.8 (3.73)	–	143.0 (5.63)	181.0 (7.13)	144.8 (5.76)
25	6264-08-11-*-97	105.0 (4.13)	39.7 (1.56)	109.5 (4.31)	29.0 (1.14)	–	–	89.0 (3.50)	–	34.7 (1.37)	126.8 (4.99)	–	143.0 (5.63)	181.0 (7.13)	144.8 (5.76)
32	6264-10-15-*-97	120.0 (4.72)	48.4 (1.91)	120.0 (4.72)	29.0 (1.14)	–	–	99.5 (3.92)	–	30.6 (1.20)	144.3 (5.68)	–	143.0 (5.63)	181.0 (7.13)	144.8 (5.76)

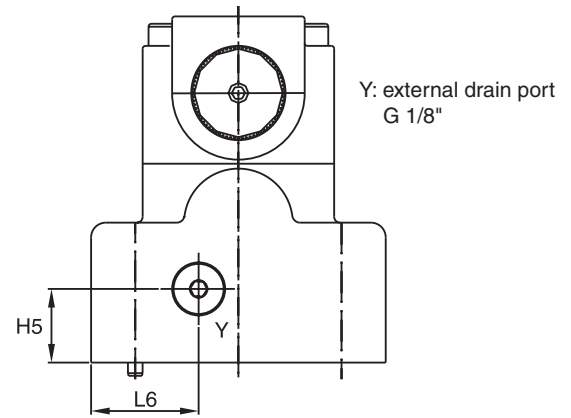
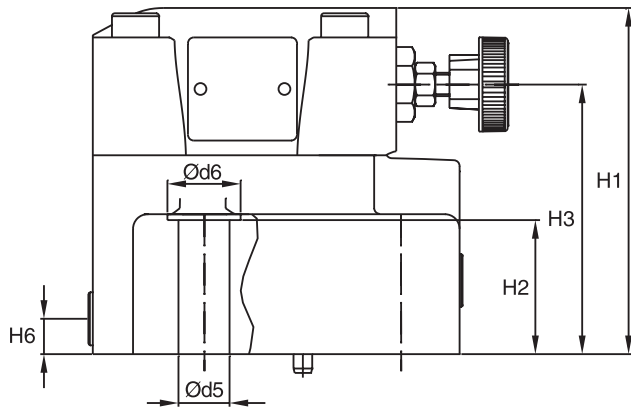
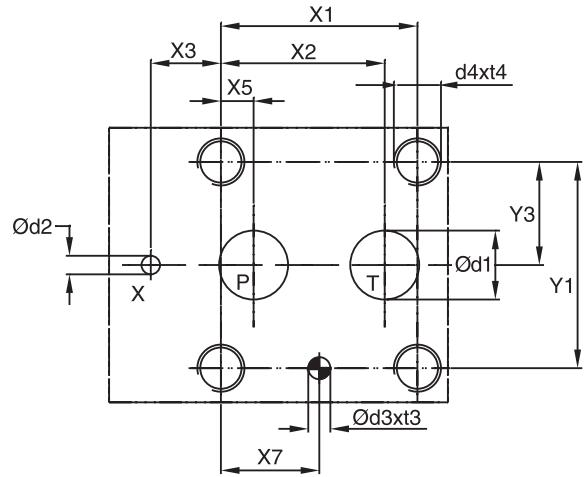
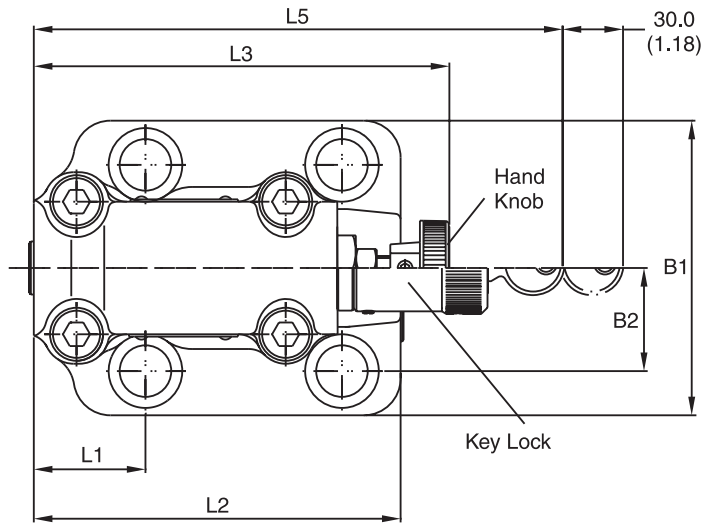
NG	ISO-code	d1max	d2max	d3	t3	d4	t4	d5	d6
10	6264-06-07-*-97	15.0 (0.59)	7.0 (0.28)	7.1 (0.28)	8.0 (0.31)	M10	16.0 (0.63)	10.8 (0.43)	17.0 (0.67)
25	6264-08-11-*-97	23.4 (0.92)	7.1 (0.28)	7.1 (0.28)	8.0 (0.31)	M10	18.0 (0.71)	10.8 (0.43)	17.0 (0.67)
32	6264-10-15-*-97	32.0 (1.26)	7.1 (0.28)	7.1 (0.28)	8.0 (0.31)	M10	20.0 (0.79)	10.8 (0.43)	17.0 (0.67)

NG	ISO-code	Bolt Kit			Seal Nitrile	Kit Fluorocarbon	Surface Finish
10	6264-06-07-*-97	BK505	4xM10 x 35-DIN 912 12.9	63 Nm (46.5 lb.-ft.) ±15%	S26-58507-0	S26-58507-5	
25	6264-08-11-*-97	BK485	4xM10 x 45-DIN 912 12.9	63 Nm (46.5 lb.-ft.) ±15%	S26-58475-0	S26-58475-5	
32	6264-10-15-*-97	BK506	6xM10 x 45-DIN 912 12.9	63 Nm (46.5 lb.-ft.) ±15%	S26-58508-0	S26-58508-5	

NG	ISO-code	Subplate	Size
10	6264-06-07-*-97	SPP3M6B910	A, B = 3/4" BSPP x, y = 1/4" BSPP
25	6264-08-11-*-97	SPP6M8B910	A, B = 1" BSPP x, y = 1/4" BSPP
32	6264-10-15-*-97	SPP10M12B910	A, B = 1 1/2" BSPP x, y = 1/4" BSPP



D



Dimensions

**Pressure Control Valves
Series R6V (Pilot Operated)**



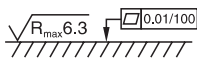
Inch equivalents for millimeter dimensions are shown in (**)

NG	ISO-code	x1	x2	x3	x4	x5	x6	x7	y1	y2	y3	y4	y5	y6
10	6264-06-09-*-97	53.8 (2.12)	47.5 (1.87)	0.0 (0.00)	-	22.1 (0.87)	-	22.1 (0.87)	53.8 (2.12)	-	26.9 (1.06)	-	-	-
25	6264-08-13-*-97	66.7 (2.63)	55.6 (2.19)	23.8 (0.94)	-	11.1 (0.44)	-	33.4 (1.31)	70.0 (2.76)	-	35.0 (1.38)	-	-	-
32	6264-10-17-*-97	88.9 (3.50)	76.2 (3.00)	31.8 (1.25)	-	12.7 (0.50)	-	44.5 (1.75)	82.6 (3.25)	-	41.3 (1.63)	-	-	-

Tolerance at X and Y pin holes and screw holes ±0.1, at port holes ±0.2.

NG	ISO-code	B1	B2	H1	H2	H3	H4	H5	H6	L1	L2	L3	L4	L5	L6
10	6264-06-09-*-97	80.0 (3.15)	26.9 (1.06)	114.0 (4.49)	27.0 (1.06)	88.0 (3.46)	-	25.0 (0.98)	25.0 (0.98)	52.5 (2.07)	118.5 (4.67)	141.0 (5.55)	-	180.0 (7.09)	29.5 (1.16)
25	6264-08-13-*-97	100.0 (3.94)	35.0 (1.38)	117.5 (4.63)	45.5 (1.79)	91.5 (3.60)	-	25.0 (0.98)	12.0 (0.47)	37.9 (1.49)	124.5 (4.90)	141.0 (5.55)	-	180.0 (7.09)	36.5 (1.44)
32	6264-10-17-*-97	120.0 (4.72)	41.3 (1.63)	123.0 (4.83)	52.0 (2.05)	97.0 (3.82)	-	25.0 (0.98)	13.5 (0.53)	45.0 (1.77)	153.0 (6.02)	141.0 (5.55)	-	180.0 (7.09)	36.5 (1.83)

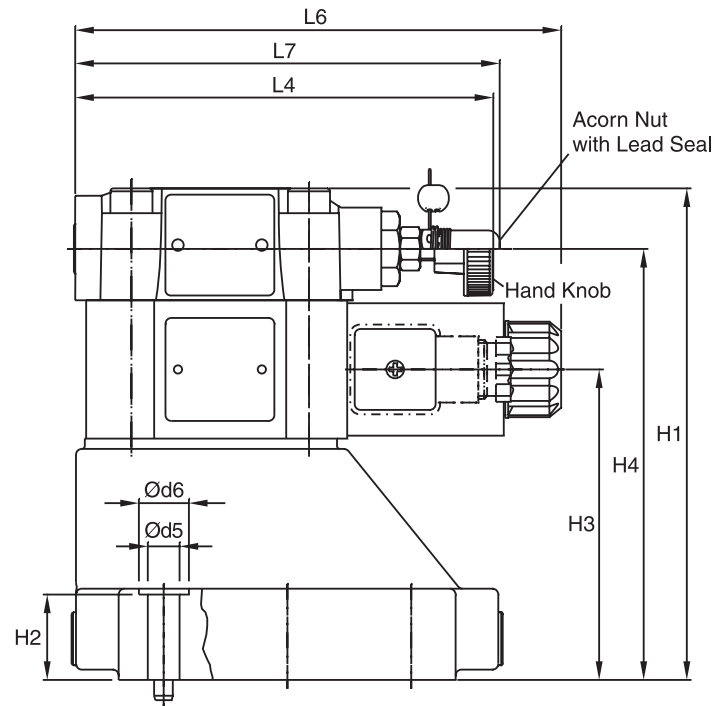
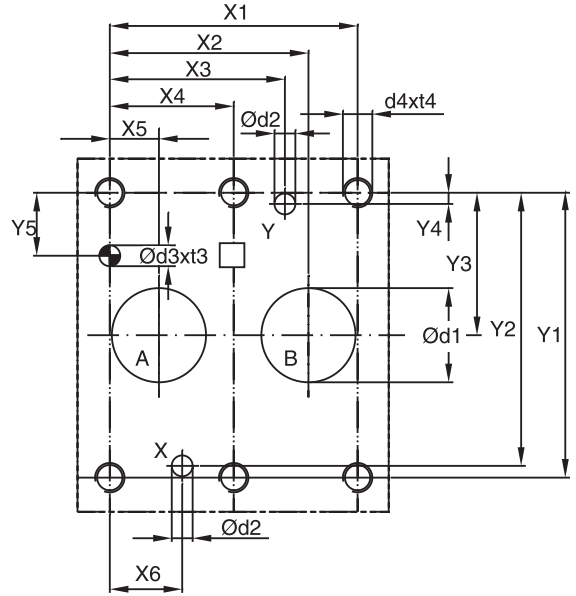
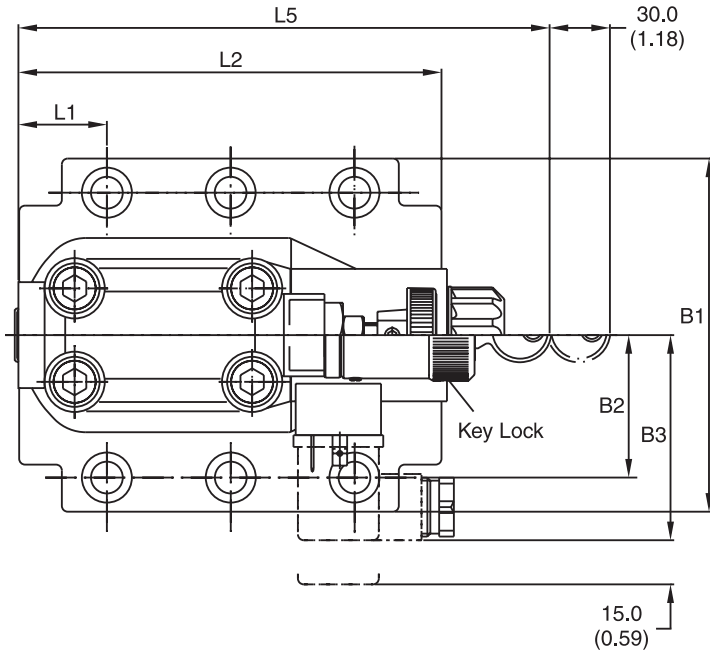
NG	ISO-code	d1max	d2max	d3	t3	d4	t4	d5	d6
10	6264-06-09-*-97	14.7 (0.58)	4.8 (0.19)	7.5 (0.30)	10.0 (0.39)	M12	20.0 (0.79)	13.5 (0.53)	20.0 (0.79)
25	6264-08-13-*-97	23.4 (0.92)	6.3 (0.25)	7.5 (0.30)	10.0 (0.39)	M16	27.0 (1.06)	17.5 (0.69)	25.0 (0.98)
32	6264-10-17-*-97	32.0 (1.26)	6.3 (0.25)	7.5 (0.30)	10.0 (0.39)	M18	28.0 (1.10)	20.0 (0.79)	30.0 (1.18)

NG	ISO-code	Bolt Kit			Seal Nitrile	Kit Fluorocarbon	Surface Finish
10	6264-06-09-*-97	BK494	4xM12 x 45-DIN 912 12.9	108 Nm (79.6 lb.-ft.) ±15%	S26-96396-0	S26-96396-5	
25	6264-08-13-*-97	BK366	4xM16 x 70-DIN 912 12.9	264 Nm (194.7 lb.-ft.) ±15%	S26-96589-0	S26-96589-5	
32	6264-10-17-*-97	BK507	4xM18 x 75-DIN 912 12.9	398 Nm (293.5 lb.-ft.) ±15%	S26-96392-0	S26-96392-5	

NG	ISO-code	Subplate	Size
10	6264-06-09-*-97	SPP3R6B910	P, T = 3/4" BSPP x = 1/4" BSPP
25	6264-08-13-*-97	SPP6R8B910	P, T = 1 1/4" BSPP x = 1/4" BSPP
32	6264-10-17-*-97	SPP10R12B910	P, T = 1 1/2" BSPP x, y = 1/4" BSPP



D



Dimensions



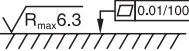
Inch equivalents for millimeter dimensions are shown in (**)

NG	ISO-code	x1	x2	x3	x4	x5	x6	x7	y1	y2	y3	y4	y5	y6
10	6264-06-07-*-97	42.9 (1.69)	35.8 (1.41)	21.5 (0.85)	– –	7.2 (0.28)	21.5 (0.85)	0.0 (0.00)	66.7 (2.63)	58.8 (2.31)	33.4 (1.31)	7.9 (0.31)	14.3 (0.56)	– –
25	6264-08-11-*-97	60.3 (2.37)	49.2 (1.94)	39.7 (1.56)	– –	11.1 (0.44)	20.6 (0.81)	0.0 (0.00)	79.4 (3.13)	73.0 (2.87)	39.7 (1.56)	6.4 (0.25)	15.9 (0.63)	– –
32	6264-10-15-*-97	84.2 (3.31)	67.5 (2.66)	59.5 (2.34)	42.1 (1.66)	16.7 (0.66)	24.6 (0.97)	0.0 (0.00)	96.8 (3.81)	92.8 (3.65)	48.4 (1.91)	3.8 (0.15)	21.4 (0.84)	– –

Tolerance at X and Y pin holes and screw holes ±0.1, at port holes ±0.2.

NG	ISO-code	B1	B2	B3	H1	H2	H3	H4	L1	L2	L3	L4	L5	L6	L7
10	6264-06-07-*-97	87.3 (3.44)	33.4 (1.31)	70.0 (2.76)	130.0 (5.12)	21.0 (0.83)	68.5 (2.70)	109.5 (4.31)	29.0 (1.14)	94.8 (3.73)	– –	143.0 (5.63)	181.0 (7.13)	165.6 (6.52)	144.8 (5.70)
25	6264-08-11-*-97	105.0 (4.13)	39.7 (1.59)	70.0 (2.76)	156.5 (6.16)	29.0 (1.14)	95.0 (3.74)	136.0 (5.35)	34.7 (1.37)	126.8 (4.99)	– –	143.0 (5.63)	181.0 (7.13)	165.6 (6.52)	144.8 (5.70)
32	6264-10-15-*-97	120.0 (4.72)	48.4 (1.91)	70.0 (2.76)	167.0 (6.57)	29.0 (1.14)	105.5 (4.15)	146.5 (5.77)	30.6 (1.20)	144.3 (5.68)	– –	143.0 (5.63)	181.0 (7.13)	165.6 (6.52)	144.8 (5.70)

NG	ISO-code	d1max	d2max	d3	t3	d4	t4	d5	d6
10	6264-06-07-*-97	15.0 (0.59)	7.0 (0.28)	7.1 (0.28)	8.0 (0.31)	M10	16.0 (0.63)	10.8 (0.43)	17.0 (0.67)
25	6264-08-11-*-97	23.4 (0.92)	7.1 (0.28)	7.1 (0.28)	8.0 (0.31)	M10	18.0 (0.71)	10.8 (0.43)	17.0 (0.67)
32	6264-10-15-*-97	32.0 (1.26)	7.1 (0.28)	7.1 (0.28)	8.0 (0.31)	M10	20.0 (0.79)	10.8 (0.43)	17.0 (0.67)

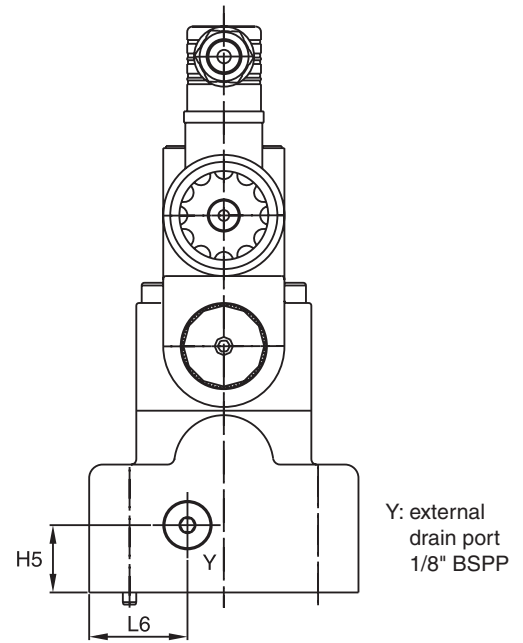
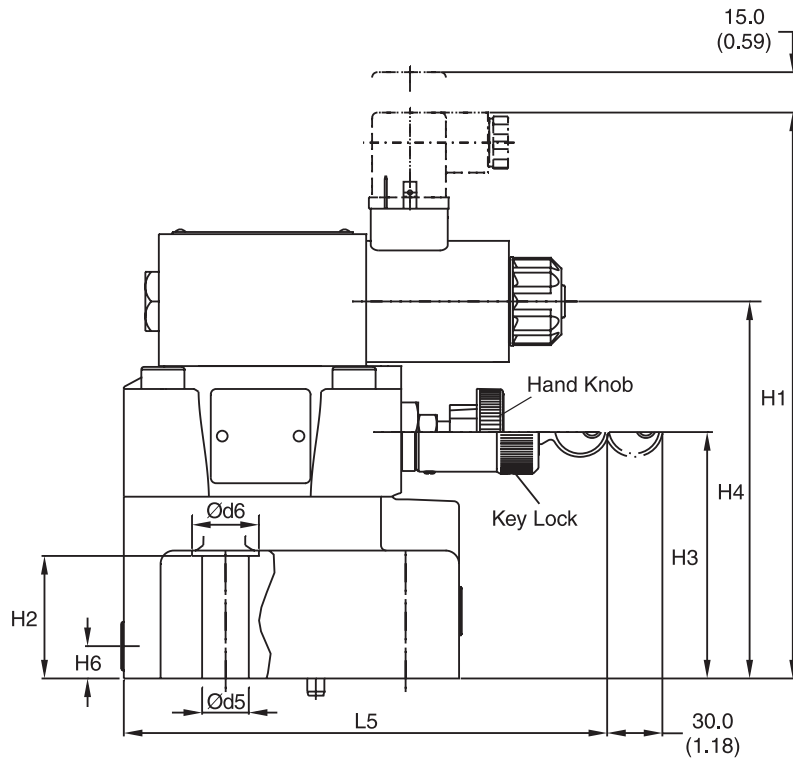
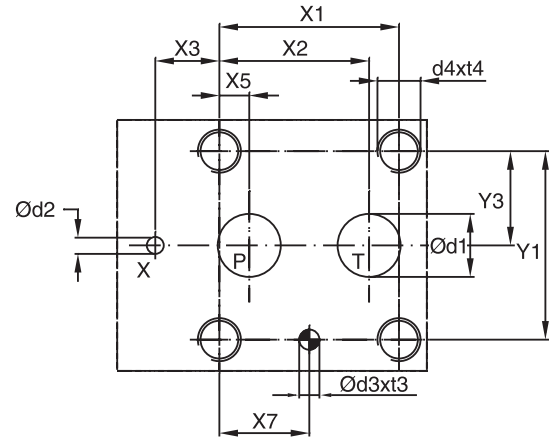
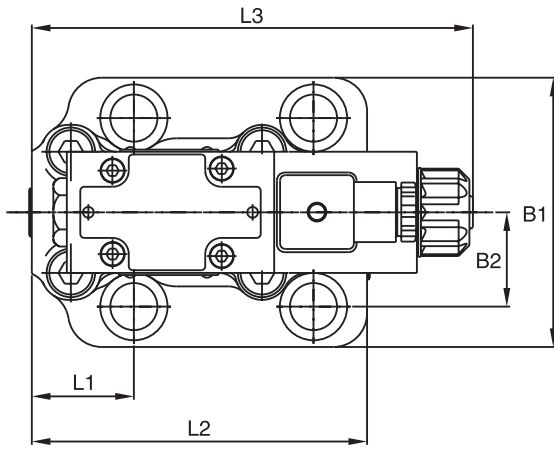
NG	ISO-code	Bolt Kit			Seal Kit		Surface Finish
					Nitrile	Fluorocarbon	
10	6264-06-07-*-97	BK505	4xM10 x 35-DIN 912 12.9	63 Nm (46.5 lb.-ft.) ±15%	S26-58507-0	S26-58507-5	
25	6264-08-11-*-97	BK485	4xM10 x 45-DIN 912 12.9	63 Nm (46.5 lb.-ft.) ±15%	S26-58475-0	S26-58475-5	
32	6264-10-15-*-97	BK506	6xM10 x 45-DIN 912 12.9	63 Nm (46.5 lb.-ft.) ±15%	S26-58508-0	S26-58508-5	
VV01*					S56-40609-0	S56-40609-5	

* Please combine seal kit of one size with seal kit of VV01 solenoid for complete seal kit.

NG	ISO-code	Subplate	Size
10	6264-06-07-*-97	SPP3M6B910	A, B = 3/4" BSPP x, y = 1/4" BSPP
25	6264-08-11-*-97	SPP6M8B910	A, B = 1" BSPP x, y = 1/4" BSPP
32	6264-10-15-*-97	SPP10M12B910	A, B = 1 1/2" BSPP x, y = 1/4" BSPP



D



Y: external
drain port
1/8" BSPP



Dimensions



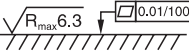
Inch equivalents for millimeter dimensions are shown in (**)

NG	ISO-code	x1	x2	x3	x4	x5	x6	x7	y1	y2	y3	y4	y5	y6
10	6264-06-09-*-97	53.8 (2.12)	47.5 (1.87)	0.0 (0.00)	-	22.1 (0.87)	-	22.1 (0.87)	53.8 (2.12)	-	26.9 (1.06)	-	-	-
25	6264-08-13-*-97	66.7 (2.63)	55.6 (2.19)	23.8 (0.91)	-	11.1 (0.44)	-	33.4 (1.31)	70.0 (2.76)	-	35.0 (1.38)	-	-	-
32	6264-10-17-*-97	88.9 (3.50)	76.2 (3.00)	31.8 (1.25)	-	12.7 (0.50)	-	44.5 (1.75)	82.6 (3.25)	-	41.3 (1.63)	-	-	-

Tolerance at X and Y pin holes and screw holes ±0.1, at port holes ±0.2.

NG	ISO-code	B1	B2	H1	H2	H3	H4	H5	H6	L1	L2	L3	L4	L5	L6
10	6264-06-09-*-97	80.0 (3.15)	26.9 (1.06)	206.0 (8.11)	27.0 (1.06)	88.0 (3.46)	136.5 (5.37)	25.0 (0.98)	12.0 (0.47)	52.5 (2.07)	118.5 (4.67)	163.8 (6.45)	-	180.0 (7.09)	36.5 (1.44)
25	6264-08-13-*-97	100.0 (3.94)	35.0 (1.38)	210.0 (8.27)	45.5 (1.79)	91.5 (3.60)	140.0 (5.51)	25.0 (0.98)	12.0 (0.47)	37.9 (1.49)	124.5 (4.90)	163.8 (6.45)	-	180.0 (7.09)	36.5 (1.44)
32	6264-10-17-*-97	120.0 (4.72)	41.3 (1.63)	215.5 (8.48)	52.0 (2.05)	97.0 (3.82)	145.5 (5.73)	25.0 (0.98)	12.0 (0.47)	45.0 (1.77)	153 (6.02)	163.8 (6.45)	-	180.0 (7.09)	36.5 (1.44)

NG	ISO-code	d1max	d2max	d3	t3	d4	t4	d5	d6
10	6264-06-09-*-97	14.7 (0.58)	4.8 (0.19)	7.5 (0.30)	10.0 (0.39)	M12	20.0 (0.79)	13.5 (0.53)	20.0 (0.79)
25	6264-08-13-*-97	23.4 (0.92)	6.3 (0.25)	7.5 (0.30)	10.0 (0.39)	M16	27.0 (1.06)	17.5 (0.69)	25.0 (0.98)
32	6264-10-17-*-97	32.0 (1.26)	6.3 (0.25)	7.5 (0.30)	10.0 (0.39)	M18	28.0 (1.10)	20.0 (0.79)	30.0 (1.18)

NG	ISO-code	Bolt Kit			Seal Nitrile	Kit Fluorocarbon	Surface Finish
10	6264-06-09-*-97	BK494	4xM12 x 45-DIN 912 12.9	108 Nm (79.6 lb.-ft.) ±15%	S26-96395-0	S26-96395-5	
25	6264-08-13-*-97	BK366	4xM16 x 70-DIN 912 12.9	264 Nm (194.7 lb.-ft.) ±15%	S26-96589-0	S26-96589-5	
32	6264-10-17-*-97	BK507	4xM18 x 75-DIN 912 12.9	398 Nm (293.5 lb.-ft.) ±15%	S26-96392-0	S26-96392-5	

NG	ISO-code	Subplate	Size
10	6264-06-09-*-97	SPP3R6B910	P, T = 3/4" BSPP x = 1/4" BSPP
25	6264-08-13-*-97	SPP6R8B910	P, T = 1 1/4" BSPP x = 1/4" BSPP
32	6264-10-17-*-97	SPP10R12B910	P, T = 1 1/2" BSPP x, y = 1/4" BSPP

