



# ENAPART



93 S Railroad Avenue Unit C  
Bergenfield NJ 07621 USA  
[www.enapart.com](http://www.enapart.com)  
[sales@enapart.com](mailto:sales@enapart.com)



Via del Canneto 35,  
Borgosatollo, Brescia - Italia  
[www.enapart.it](http://www.enapart.it)  
[vendite@enapart.it](mailto:vendite@enapart.it)



Barbaros Mah. Ihlamur Bul. Aĝaoĝlu  
My Newwork No:3/15 Ataşehir / İstanbul  
[www.enapart.net](http://www.enapart.net)  
[satis@enapart.net](mailto:satis@enapart.net)



PRIVADA 10 B SUR #3908 COL.  
ANZUREZ, C.P. 72530, PUEBLA, PUE  
[www.enapart.com.mx](http://www.enapart.com.mx)  
[sales@enapart.com.mx](mailto:sales@enapart.com.mx)



Friedrich-Ebert-Anlage 36, 60325  
Frankfurt am Main, Germany  
[www.enapart.de](http://www.enapart.de)  
[anfrage@enapart.de](mailto:anfrage@enapart.de)



4 boulevard Carnot, 95400  
villiers-le-bel, Paris, France  
[www.enapart.fr](http://www.enapart.fr)  
[sales@enapart.fr](mailto:sales@enapart.fr)



65049, ОДЕСА, ВУЛИЦЯ ІВАНА  
ФРАНКА, БУДИНОК 55, ПОВЕРХ 3  
[www.enapart.com.ua](http://www.enapart.com.ua)  
[sales@enapart.com.ua](mailto:sales@enapart.com.ua)



MUNICIPIUL BUCUREȘTI, SECTOR 3,  
B-DUL BASARABIA, NR.250, CORP P+5  
[www.enapart.ro](http://www.enapart.ro)  
[sales@enapart.ro](mailto:sales@enapart.ro)



〒584-0023 大阪府富田林市若松町  
東2丁目2番16号  
[www.enapart.co.jp](http://www.enapart.co.jp)  
[sales@enapart.co.jp](mailto:sales@enapart.co.jp)



PLAZA NUESTRA SEÑORA DE LAS  
NIEVES 12 ,LOCAL ,50012,ZARAGOZA  
[www.enapart.es](http://www.enapart.es)  
[ventas@enapart.es](mailto:ventas@enapart.es)

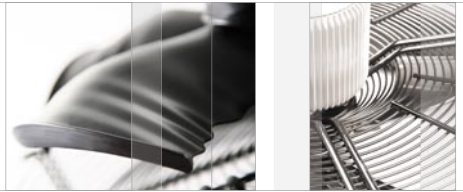


Складова база „Онгъл“, Склад А2, п.к.  
4006, гр. Пловдив, България  
[www.enapart.bg](http://www.enapart.bg)  
[sales@enapart.bg](mailto:sales@enapart.bg)



3 Austin Mews, High Street, Hemel  
Hempstead, HP1 3AF , United Kingdom  
[www.enapart.co.uk](http://www.enapart.co.uk)  
[sales@enapart.co.uk](mailto:sales@enapart.co.uk)

# Hidria



**Fans** catalogue



### **General data**

Motors for fans are thermally protected - F or B insulation class and with internal protection IP54, IP44 and IP56.

Maintenance free ball bearings, suitable for min ambient temperature of -30 °C are mounted (special ones for different conditions are available on request). Life time expectancy L10 for bearings is at least 40.000h and depends on ambient temperature and application conditions.

### **Air performance**

Air performance of fans is measured according to ISO 5801-1997 with the fan measured on its sucking side. The results are valid for an air density of  $\rho = 1,2\text{kg/m}^3$  at 20 °C. Under another conditions, values can be different.

### **Speed controllers**

Under agreed conditions, fans are suitable for operating with speed controllers by voltage reduction (autotransformer, triac) or by voltage/frequency reduction (frequency converter).

If the speed control is applied, increased temperature-rise and noise may be expected and has to be reviewed in the final application. Also EMC requirements must be achieved in the final application and the manufacturer or user of control unit is responsible for it.

In order to assure the best performance of our fans controlled with PWM Frequency Converter, it is highly recommended to use the "Sine Wave Filter" on converter output with right settings of PWM Frequency Converter.

With right settings of controller parameters regarding "Torque characteristics" or "Voltage / Frequency characteristics" can be reduced electrical current at low RPM's, can be reduced heating of the motor at low RPM's and also saving energy.

If the shielded cable is to be used, both ends of cable shield must be grounded.

Using of ferrite ring at the ends of connection cable additionally reduce the current in ground conductor which reduce RF disturbances.

In the catalogue are our standard products.

Custom design and modifications are available on request.

Accessories as guard grills, wall plates, can be delivered assembled or separately.

Additional information: drawings, test reports, special data, approvals etc. is available on request.

We keep rights to make any dimensional and design changes due to our improvement process.





**Axial Fans With Electronic Drives**  
page: 6 - 15



**HEF Axial Fans**  
page: 16 - 43



**Axial Fans With Plastic Blades**  
page: 44 - 53



**Axial Fans**  
page: 54 - 107



**Centrifugal Fans**  
page: 108 - 119



**Accessories**  
page: 120 - 127

## Typical features of the Hidria EC-motor fan

- High efficiency throughout the entire speed range.
- Speed setting via linear voltage input (0-10V) or PWM signal.
- Two analog inputs for easy closed loop control (PID regulator build-in).
- Both analog inputs can be used as digital inputs.
- Multifunction digital output (open collector) for tach-out, alarm signal or slave control. Tach-out signal can be 1, 2, 3, 4, 6 or 12 pulses per revolution.
- Analog input adjustment to fit customer's sensor.
- All adjustments can be made with a PC or can be factory presetted.
- Low-noise operation across the entire speed range.
- Integrated EMC filter.

All features are available on request.

The standard version of an EC-motor fan has:

- One analog input (0-10V or PWM input).
- Sensor power supply 10VDC (max 30mA)
- Tach-out signal (OC) (default: 1 pulse per revolution)

## Example of type key for Axial fans with EC motor

### R09R-3530HS-ECM-4200

- R09** External rotor motor type
- R** Accessory type (E-without guard grill, R-with guard grill, P-with guard grill and wall plate)
- 35** Fan diameter x 10 (exact diameters are stated in drawings)
- 30H** HEF blade angle
- S** Airflow direction (S-sucking, B-blowing)
- EC** Fan with EC motor
- M** Electrical connection (M-single phase; T-three phase)
- 42** Motor stack height
- 00** Combination of motor/electronics/software

## Example of type key for Axial fans with Integrated Frequency Converter

### R13R-6330HA-I6M-7057

- R13** External rotor motor type
- R** Accessory type (E-without guard grill, R-with guard grill, P-with guard grill and wall plate)
- 63** Fan diameter x 10 (exact diameters are stated in drawings)
- 30H** HEF blade angle
- S** Airflow direction (S-sucking, B-blowing)
- I** Fan with Inverter drive
- 6** Number of poles
- M** Number of phases (M-single phase, T-three phase)
- 70** Motor stack height
- 57** Electrical design



# **Axial Fans With Electronic Drives**





Diameter: 250 mm

R09\_-2528\_-ECM-2500

**Fan with wall plate**

**Airflow**

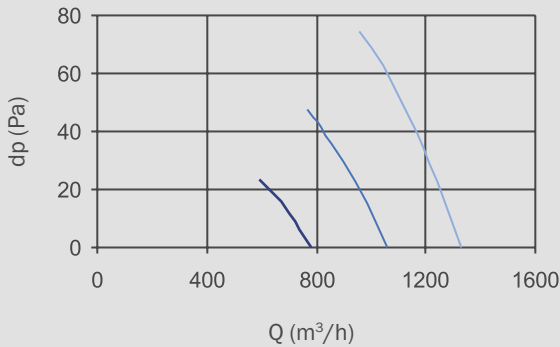
**Direction Type:**

- »S« R09P-2528S-ECM-2500
- »B« R09P-2528B-ECM-2500

Available on request

**Aerodynamic characteristic:**

- 1900min<sup>-1</sup> / Ua = 10V
- 1520min<sup>-1</sup> / Ua=8V
- 1140min<sup>-1</sup> / Ua=6V



Ua = Analog input voltage for speed control (0 - 10V)

**Performance Data:**

- 1~230V 50/60Hz
- P<sub>1</sub> = 70W
- n = 1900min<sup>-1</sup>
- I = 0,60A
- T<sub>R</sub> = -30 to +65 °C
- Connection: cable
- Overload Electronic Protection
- Ins.Cl. F
- IP44

**Notes:**

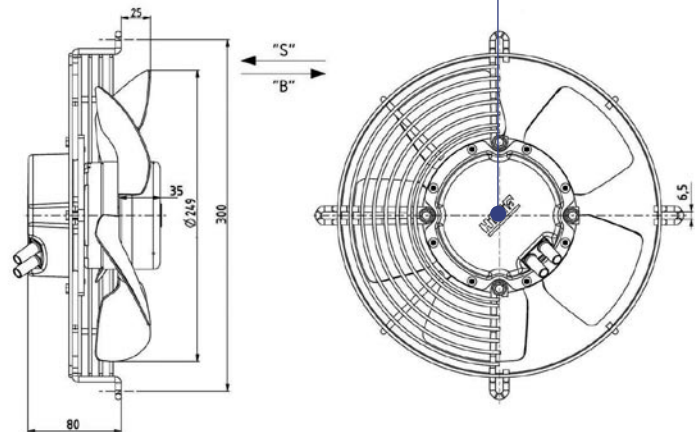
Fan characteristic measured in short bell mouth with guard grill

**Fan with guard grill**

**Airflow**

**Direction Type:**

- »S« R09R-2528S-ECM-2500
- »B« R09R-2528B-ECM-2500



**Weight:**  
3,4 kg

**Fan without guard grill**

**Airflow**

**Direction Type:**

- »S« R09E-2528S-ECM-2500
- »B« R09E-2528B-ECM-2500

Available on request

**Fan with wall plate****Airflow****Direction****Type:**

»S« R09P-3030HS-ECM-2500

»B« R09P-3030HB-ECM-2500

Available on request

R09\_-3030H\_-ECM-2500

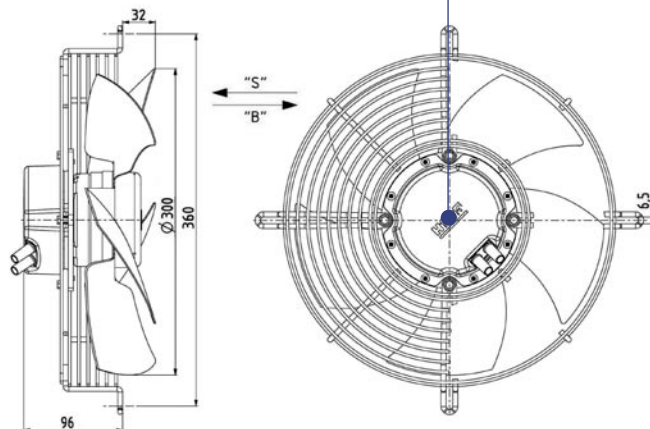
**Diameter:** 300 mm**Fan with guard grill****Airflow****Direction****Type:**

»S« R09R-3030HS-ECM-2500

»B« R09R-3030HB-ECM-2500

**Code:**

0309-4-2003

**Weight:**

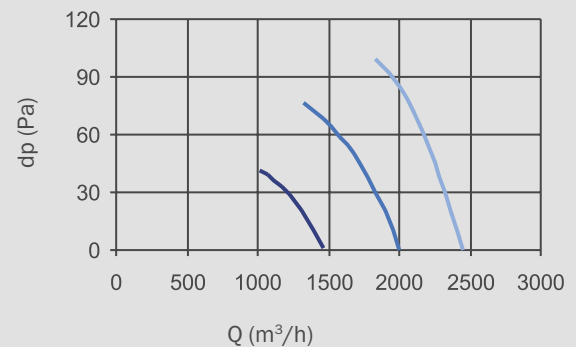
3,3 kg

**Fan without guard grill****Airflow****Direction****Type:**

»S« R09E-3030HS-ECM-2500

»B« R09E-3030HB-ECM-2500

Available on request

**Aerodynamic characteristic:**1950min<sup>-1</sup> / U<sub>a</sub> = 10V1560min<sup>-1</sup> / U<sub>a</sub> = 8V1170min<sup>-1</sup> / U<sub>a</sub> = 6VU<sub>a</sub> = Analog input voltage for speed control (0 - 10V)**Performance Data:**

1~230V 50/60Hz

P<sub>1</sub> = 140Wn = 1950min<sup>-1</sup>

I = 1,2A

t<sub>R</sub> = -30 to +65 °CL<sub>wa</sub> = 73dB(A) at 1950min<sup>-1</sup>

Connection: cable

Overload Electronic Protection

Ins.Cl. F

IP44

**Notes:**

Fan characteristic measured in short bell mouth with guard grill



**Diameter:** 315 mm

R09\_-3130H\_-ECM-2500

### Fan with wall plate

#### Airflow

#### Direction Type:

»S«

R09P-3130HS-ECM-2500

»B«

R09P-3130HB-ECM-2500

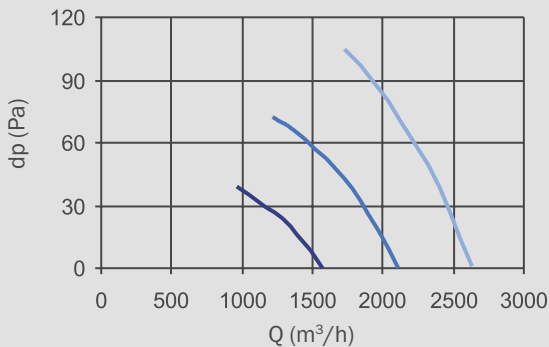
Available on request

### Aerodynamic characteristic:

1650min<sup>-1</sup> at U<sub>a</sub> = 10V

1320min<sup>-1</sup> at U<sub>a</sub> = 8V

990min<sup>-1</sup> at U<sub>a</sub> = 6V



U<sub>a</sub> = Analog input voltage for speed control (0 - 10V)

### Performance Data:

1~230V 50/60Hz

P<sub>1</sub> = 140W

n = 1670min<sup>-1</sup>

I = 1,2A

t<sub>r</sub> = -30 to +65 °C

L<sub>wa</sub> = 73dB(A) at 1670 min<sup>-1</sup>

Connection: cable

Overload Electronic Protection

Ins.Cl. F

IP44

### Notes:

Fan characteristic measured in short bell mouth with guard grill

### Fan with guard grill

#### Airflow

#### Direction Type:

»S«

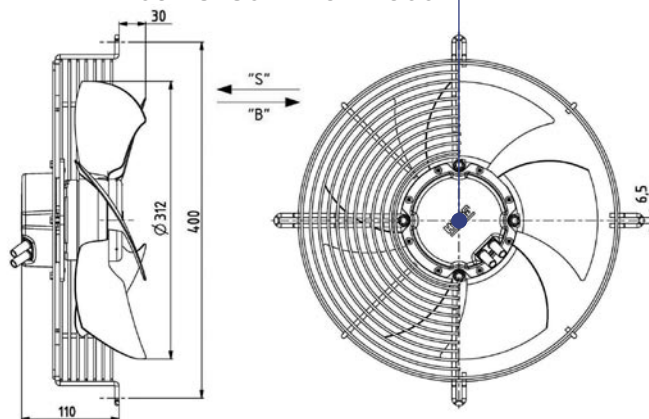
R09R-3130HS-ECM-2500

»B«

R09R-3130HB-ECM-2500

#### Code:

0309-4-2002



#### Weight:

3,3 kg

### Fan without guard grill

#### Airflow

#### Direction Type:

»S«

R09E-3130HS-ECM-2500

»B«

R09E-3130HB-ECM-2500

Available on request

**Fan with wall plate****Airflow****Direction****Type:**

»S« R09P-3330HS-ECM-2500

»B« R09P-3330HB-ECM-2500

Available on request

R09\_3330HS-ECM-2500

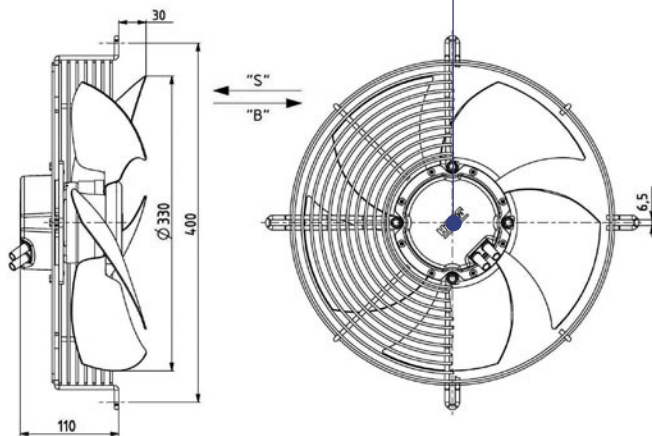
**Diameter:** 330 mm**Fan with guard grill****Airflow****Direction****Type:**

»S« R09R-3330HS-ECM-2500

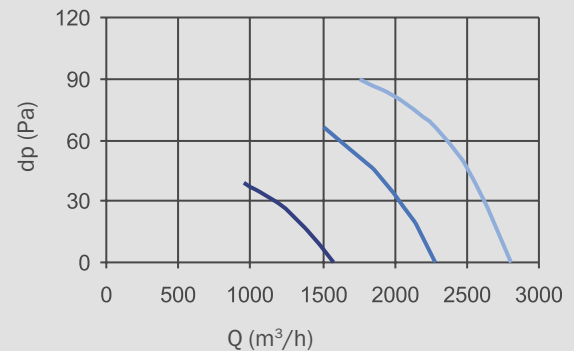
»B« R09P-3330HB-ECM-2500

**Code:**

0309-4-2001

**Weight:**

3,5 kg

**Aerodynamic characteristic:**1550min<sup>-1</sup> / U<sub>a</sub> = 10V1240min<sup>-1</sup> / U<sub>a</sub> = 8V930min<sup>-1</sup> / U<sub>a</sub> = 6VU<sub>a</sub> = Analog input voltage for speed control (0 - 10V)**Fan without guard grill****Airflow****Direction****Type:**

»S« R09E-3330HS-ECM-2500

»B« R09E-3330HB-ECM-2500

Available on request

**Performance Data:**

1~230V 50/60Hz

P<sub>1</sub> = 140Wn = 1550min<sup>-1</sup>

I = 1,2A

t<sub>R</sub> = -30 to +65 °CLwa = 70dB(A) at 1550min<sup>-1</sup>

Connection: cable

Overload Electronic Protection

Ins.Cl. F

IP44

**Notes:**

Fan characteristic measured in short bell mouth with guard grill



**Diameter:** 350 mm

R09\_-3530HS-ECM-2500

### Fan with wall plate

#### Airflow

#### Direction Type:

»S« R09P-3530HS-ECM-2500  
»B« R09P-3530HB-ECM-2500

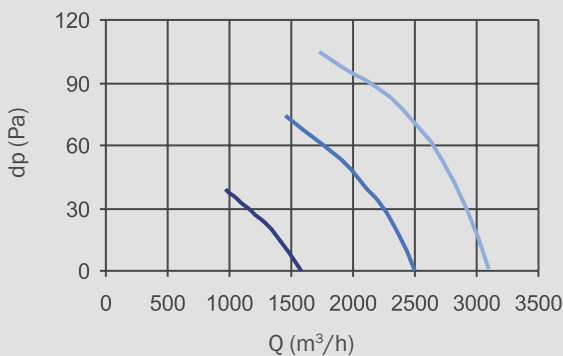
Available on request

### Aerodynamic characteristic:

1500min<sup>-1</sup> / U<sub>a</sub>=10V

1200min<sup>-1</sup> / U<sub>a</sub>=8V

900min<sup>-1</sup> / U<sub>a</sub> = 6V



U<sub>a</sub> = Analog input voltage for speed control (0 - 10V)

### Performance Data:

1~230V 50/60Hz

P<sub>1</sub> = 160W

n = 1500min<sup>-1</sup>

I = 1,3A

t<sub>R</sub> = -30 to +65 °C

L<sub>wa</sub> = 72dB(A) at 1500 min<sup>-1</sup>

Connection: cable

Overload Electronic Protection

Ins.Cl. F

IP44

### Notes:

Fan characteristic measured in short bell mouth with guard grill

### Fan with guard grill

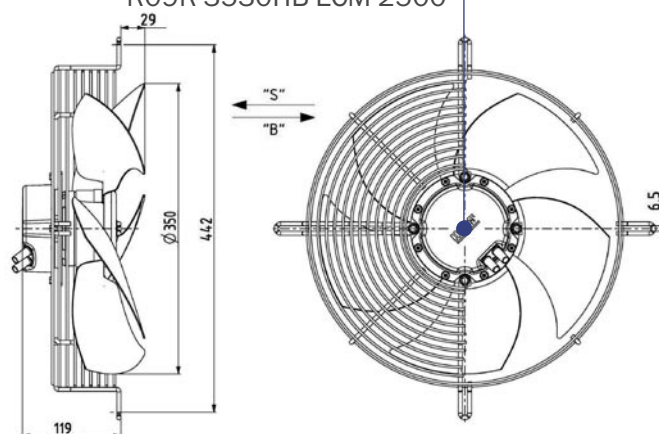
#### Airflow

#### Direction Type:

»S« R09R-3530HS-ECM-2500  
»B« R09R-3530HB-ECM-2500

#### Code:

0309-4-2000



**Weight:**  
3,6 kg

### Fan without guard grill

#### Airflow

#### Direction Type:

»S« R09E-3530HS-ECM-2500  
»B« R09E-3530HB-ECM-2500

Available on request

**Weight:**  
XX kg

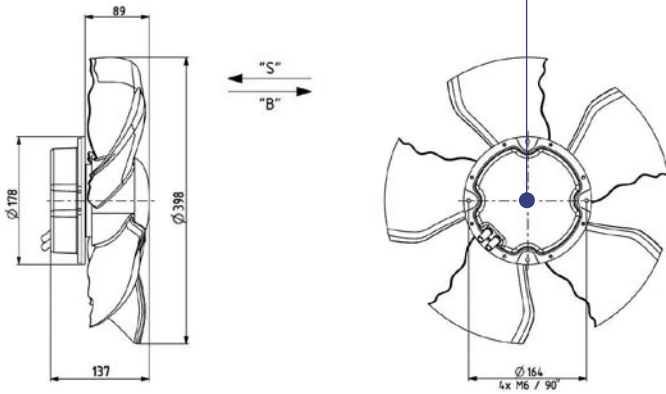
**Fan with wall plate**

**Airflow**

**Direction**

**Type:**

- »S« R11P-40SPS-ECM-3500
- »B« R11P-40SPB-ECM-3500



**Weight:**  
3,4 kg

R11\_-40SP\_-ECM-3500



**Diameter:** 400 mm

**Fan with guard grill**

**Airflow**

**Direction**

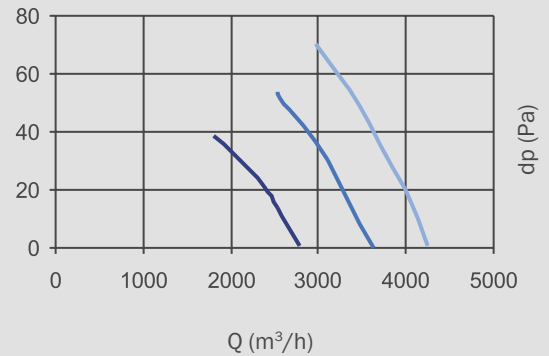
**Type:**

- »S« R11R-40SPS-ECM-3500
- »B« R11R-40SPB-ECM-3500

Available on request

**Aerodynamic characteristic:**

- 1300min<sup>-1</sup> / U<sub>a</sub>=10V
- 1040min<sup>-1</sup> / U<sub>a</sub>=8V
- 780min<sup>-1</sup> / U<sub>a</sub> = 6V



U<sub>a</sub> = Analog input voltage for speed control (0 - 10V)

**Fan without guard grill**

**Airflow**

**Direction**

**Type:**

- »S« R11E-40SPS-ECM-3500
- »B« R11E-40SPB-ECM-3500

Available on request

**Performance Data:**

- 1~230V 50/60Hz
- P<sub>1</sub> = 195W
- n = 1250min<sup>-1</sup>
- I = 1,4A
- T<sub>R</sub> = -30 to +65 °C
- Connection: cable
- Overload Electronic Protection
- Ins.Cl. F
- IP44

**Notes:**

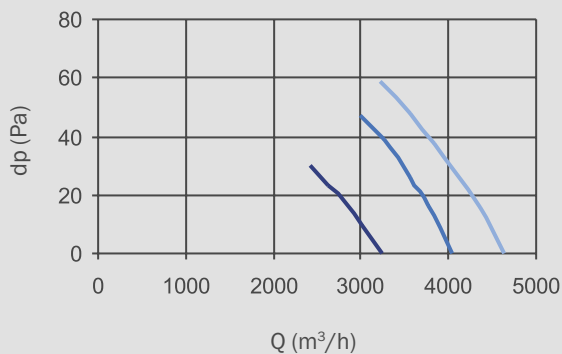
Fan characteristic measured in short bell mouth with guard grill



**Diameter:** 420 mm

**Aerodynamic characteristic:**

1200min<sup>-1</sup> / U<sub>a</sub>=10V ————  
 960min<sup>-1</sup> / U<sub>a</sub>=8V ————  
 720min<sup>-1</sup> / U<sub>a</sub> = 6V ————



U<sub>a</sub> = Analog input voltage for speed control (0 - 10V)

**Performance Data:**

1~230V 50/60Hz  
 P<sub>1</sub> = 195W  
 n = 1200min<sup>-1</sup>  
 I = 1,3A  
 T<sub>R</sub> = -30 to +65 °C  
 Connection: cable  
 Overload Electronic Protection  
 Ins.Cl. F  
 IP44

**Notes:**

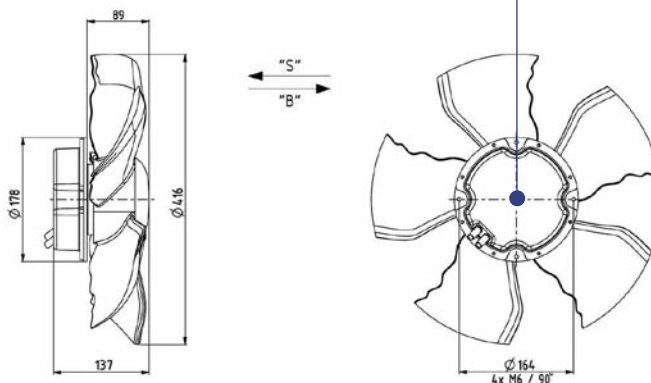
Fan characteristic measured in short bell mouth with guard grill

**Fan with wall plate**

**Airflow**

**Direction Type:**

»S« R11P-42SPS-ECM-3500  
 »B« R11P-42SPB-ECM-3500



**Weight:**  
 3,5 kg

**Fan with guard grill**

**Airflow**

**Direction Type:**

»S« R11R-42SPS-ECM-3500  
 »B« R11R-42SPB-ECM-3500

Available on request

**Fan without guard grill**

**Airflow**

**Direction Type:**

»S« R11E-42SPS-ECM-3500  
 »B« R11E-42SPB-ECM-3500

Available on request

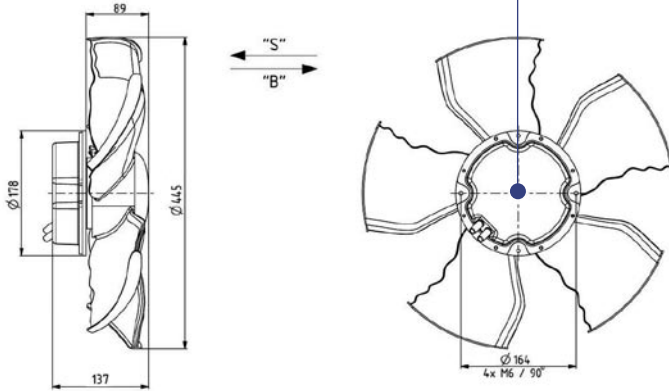
**Fan with wall plate**

**Airflow**

**Direction**

**Type:**

- »S« R11P-45SPS-ECM-3500
- »B« R11P-45SPB-ECM-3500



**Weight:**  
3,5 kg

R11\_-45SP\_-ECM-3500



**Diameter:** 450 mm

**Fan with guard grill**

**Airflow**

**Direction**

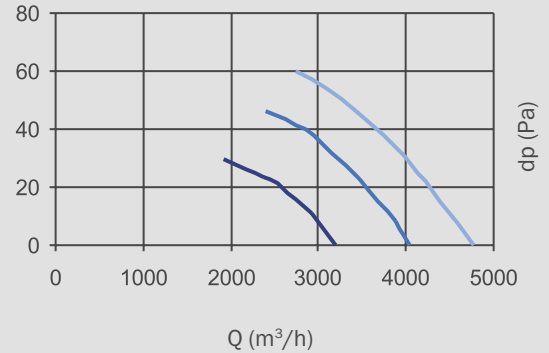
**Type:**

- »S« R11R-45SPS-ECM-3500
- »B« R11R-45SPB-ECM-3500

Available on request

**Aerodynamic characteristic:**

- 1000min<sup>-1</sup> / U<sub>a</sub>=10V
- 800min<sup>-1</sup> / U<sub>a</sub>=8V
- 600min<sup>-1</sup> / U<sub>a</sub> = 6V



U<sub>a</sub> = Analog input voltage for speed control (0 - 10V)

**Fan without guard grill**

**Airflow**

**Direction**

**Type:**

- »S« R11E-45SPS-ECM-3500
- »B« R11E-45SPB-ECM-3500

Available on request

**Performance Data:**

- 1~230V 50/60Hz
- P<sub>1</sub> = 170W
- n = 1000min<sup>-1</sup>
- I = 1,3A
- T<sub>R</sub> = -30 to +65 °C
- Connection: cable
- Overload Electronic Protection
- Ins.Cl. F
- IP44

**Notes:**

Fan characteristic measured in short bell mouth with guard grill





R13\_5030HS-I6M-7057

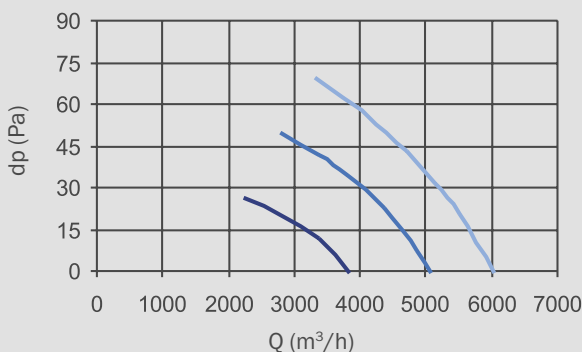
**Fan with wall plate****Airflow****Direction**

»S«

**Type:**

R13P-5030HS-I6M-7057

Available on request

**Diameter:** 500 mm**Aerodynamic characteristic:**950min<sup>-1</sup> / U<sub>a</sub>=10V800min<sup>-1</sup> / U<sub>a</sub>=8V600min<sup>-1</sup> / U<sub>a</sub>=6VU<sub>a</sub> = Analog input voltage for speed control (0 - 10V)**Performance Data:**

Input Voltage: 1 ph ~ 184 - 264V

Input Frequency: 50 / 60Hz

Input Power: 280W

Input Current: 1,8A

Output Frequency: 5 - 50Hz, limited with motor rated power

Frequency Resolution: 0,3Hz

PWM Switching Frequency: 20kHz

Speed References: 0 - 10V, PWM, RS485 (optional)

Alarm Relay: 2A / 250VAC NC &amp; NO

Over Temp. Protection: electronics &amp; motor

Locked Rotor Protection

Short Circuit Protection

Limitation of Motor Current

Built in active PFC (Power Factor Correction)

EMC Legislation: EN61000-6-2, EN61000-6-4

t<sub>R</sub> = -30 to +60 °C

Connection: terminal box

Ins.Cl.F

IP54

**Notes:**

Fan characteristic measured in full bell mouth with guard grill

**Fan with guard grill****Airflow****Direction**

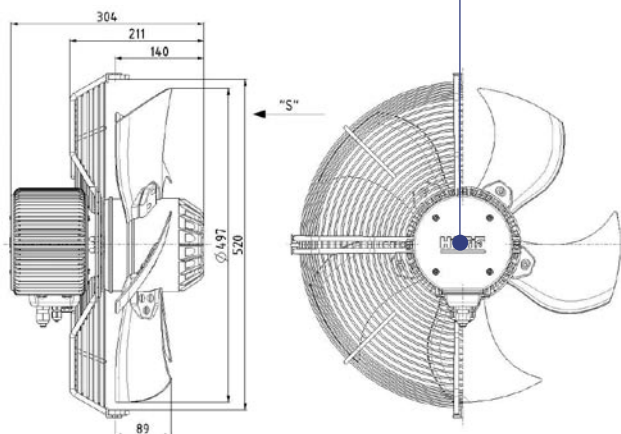
»S«

**Type:**

R13R-5030HS-I6M-7057

**Code:**

0313-4-2004

**Weight:**  
14,5 kg**Fan without guard grill****Airflow****Direction**

»S«

**Type:**

R13E-5030HS-I6M-7057

Available on request

**Fan with wall plate****Airflow****Direction****Type:**

»S«

R13P-5630HS-I6M-7057

Available on request

R13\_-5630HS-I6M-7057

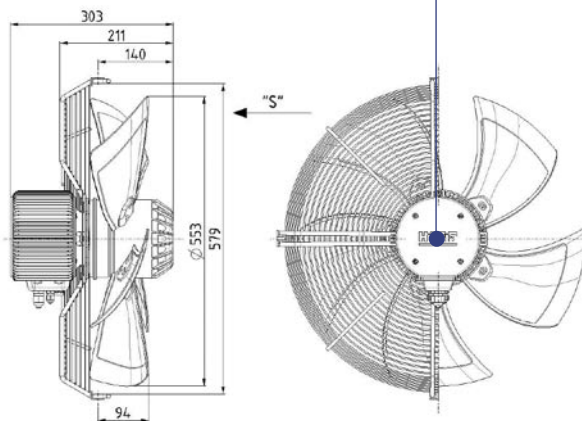
**Diameter:** 560 mm**Fan with guard grill****Airflow****Direction****Type:**

»S«

R13R-5630HS-I6M-7057

**Code:**

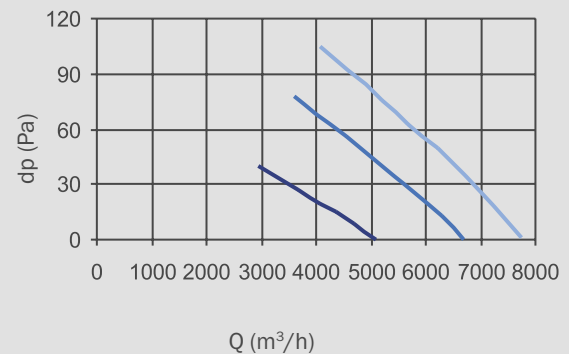
0313-4-2003

**Weight:**  
15,3 kg**Fan without guard grill****Airflow****Direction****Type:**

»S«

R13E-5630HS-I6M-7057

Available on request

**Aerodynamic characteristic:**910min<sup>-1</sup> / U<sub>a</sub>=10V800min<sup>-1</sup> / U<sub>a</sub>=8V600min<sup>-1</sup> / U<sub>a</sub>=6VU<sub>a</sub> = Analog input voltage for speed control (0 - 10V)**Performance Data:**

Input Voltage: 1 ph ~ 184 - 264V

Input Frequency: 50 / 60Hz

Input Power: 450W

Input Current: 3A

Output Frequency: 5 - 50Hz, limited with motor rated power

Frequency Resolution: 0,3Hz

PWM Switching Frequency: 20kHz

Speed References: 0 - 10V, PWM, RS485 (optional)

Alarm Relay: 2A / 250VAC NC &amp; NO

Over Temp. Protection: electronics &amp; motor

Locked Rotor Protection

Short Circuit Protection

Limitation of Motor Current

Built in active PFC (Power Factor Correction)

EMC Legislation: EN61000-6-2, EN61000-6-4

t<sub>R</sub> = -30 to +60 °C

Connection: terminal box

Ins.Cl.F

IP54

**Notes:**

Fan characteristic measured in full bell mouth with guard grill



R13\_-6330HS-I6M-7057

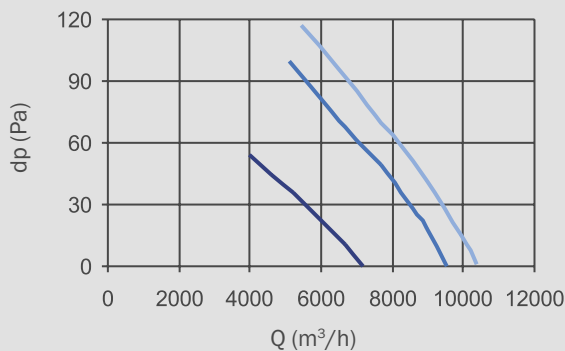
**Fan with wall plate****Airflow****Direction**

»S«

**Type:**

R13P-6330HS-I6M-7057

Available on request

**Diameter:** 630 mm**Aerodynamic characteristic:**880min<sup>-1</sup> / U<sub>a</sub>=10V800min<sup>-1</sup> / U<sub>a</sub>=8V600min<sup>-1</sup> / U<sub>a</sub>=6VU<sub>a</sub> = Analog input voltage for speed control (0 - 10V)**Performance Data:**

Input Voltage: 1 ph ~ 184 - 264V

Input Frequency: 50 / 60Hz

Input Power: 700W

Input Current: 4A

Output Frequency: 5 - 50Hz, limited with motor rated power

Frequency Resolution: 0,3Hz

PWM Switching Frequency: 20kHz

Speed References: 0 - 10V, PWM, RS485 (optional)

Alarm Relay: 2A / 250VAC NC &amp; NO

Over Temp. Protection: electronics &amp; motor

Locked Rotor Protection

Short Circuit Protection

Limitation of Motor Current

Built in active PFC (Power Factor Correction)

EMC Legislation: EN61000-6-2, EN61000-6-4

t<sub>R</sub> = -30 to +60 °C

Connection: terminal box

Ins.Cl.F

IP54

**Notes:**

Fan characteristic measured in full bell mouth with guard grill

**Fan with guard grill****Airflow****Direction**

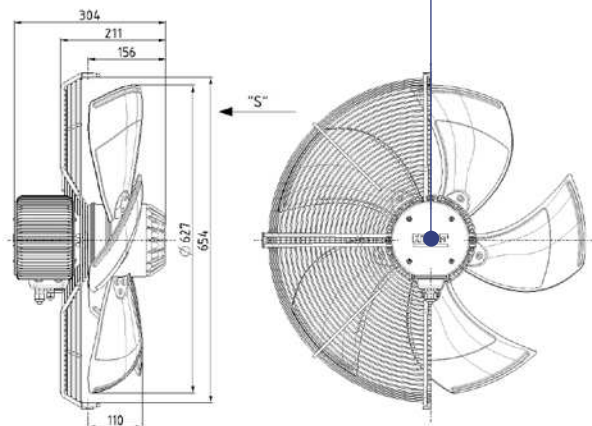
»S«

**Type:**

R13R-6330HS-I6M-7057

**Code:**

0313-4-2001

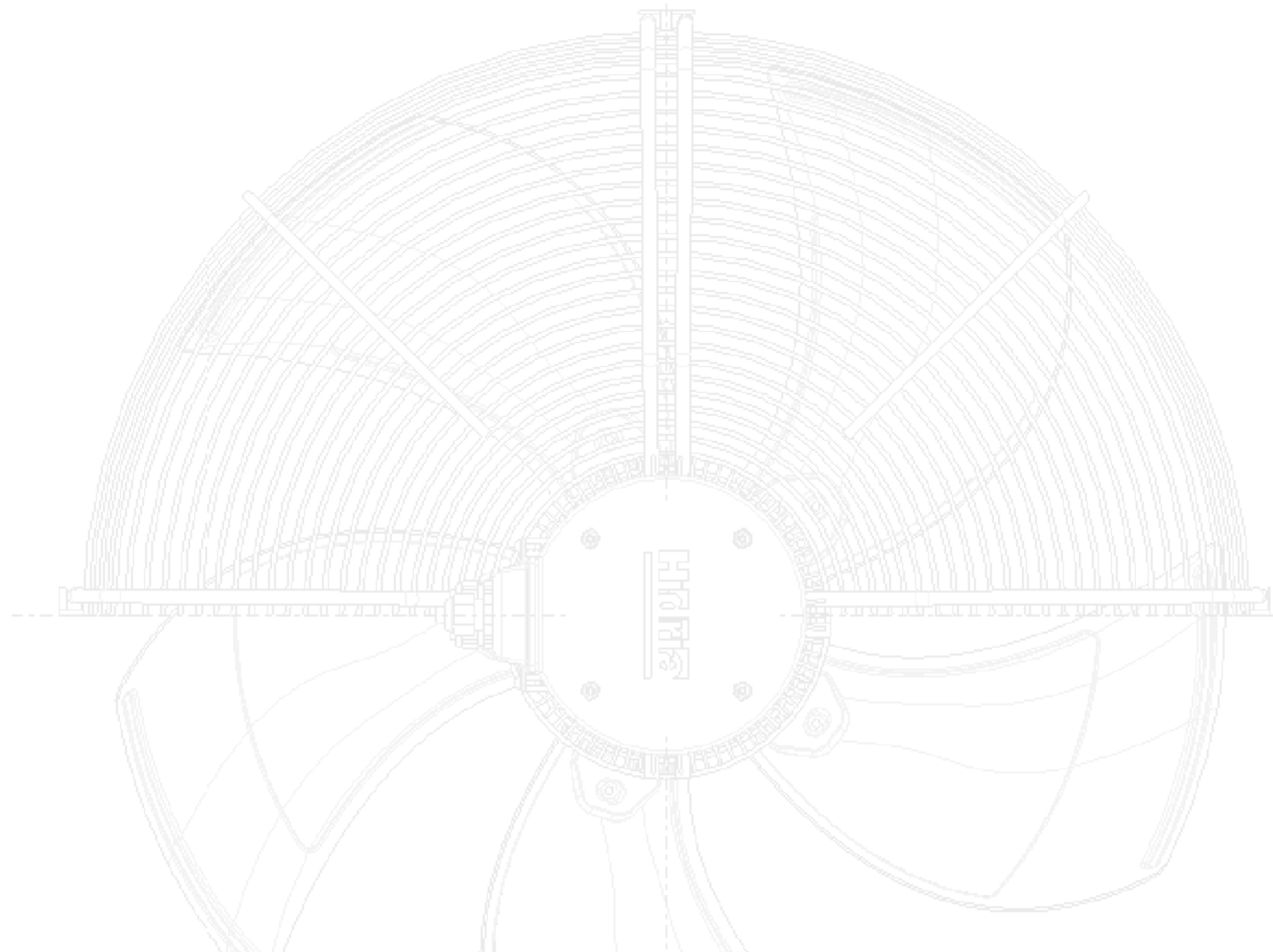
**Weight:**  
16,5 kg**Fan without guard grill****Airflow****Direction**

»S«

**Type:**

R13E-6330HS-I6M-7057

Available on request



# Axial Fans With Electronic Drives

### **Example of type key for HEF Axial fans**

#### **R09R-3530HA-4T2-4200**

- R09** External rotor motor type
- R** Accessory type (E-without guard grill, R-with guard grill, P-with guard grill and wall plate)
- 35** Fan diameter x 10 (exact diameters are stated in drawings)
- 30H** HEF blade angle
- A** Airflow direction (A-sucking, P-blowing)
- 4** Number of poles
- T** Number of phases (M-single phase, T-three phase)
- 2** Number of speeds
- 42** Motor stack height
- 00** Electrical design

**Development of energy saving and environment friendly HVAC systems**

**Project partially financed by ERDF**





# HEF Axial Fans



**Diameter:** 300 mm

R09\_-3030H\_-4M-2543

#### Fan with wall plate

##### Airflow

##### Direction Type:

»S«

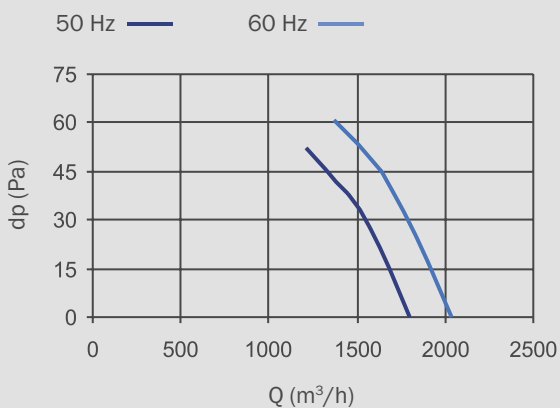
R09P-3030HA-4M-2543

»B«

R09P-3030HP-4M-2543

Available on request

#### Aerodynamic characteristic:



#### Performance Data:

1~230V 50/60Hz

$P_1 = 66 / 90W$

$n = 1370 / 1550\text{min}^{-1}$

$I = 0,31 / 0,40A$

$t_R = 70^\circ\text{C}$

$L_{wa} = 66 / 71\text{dB(A)}$

$C = 2\mu\text{F} / 450V$

Connection: terminal box

Ins.Cl. F

IP54

#### Notes:

Fan characteristic measured in full bell mouth with guard grill

#### Fan with guard grill

##### Airflow

##### Direction Type:

»S«

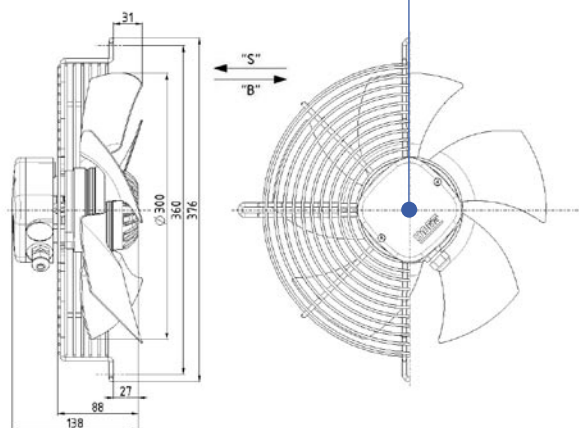
R09R-3030HA-4M-2543

»B«

R09R-3030HP-4M-2543

##### Code:

0309-4-1006



##### Weight:

3 kg

#### Fan without guard grill

##### Airflow

##### Direction Type:

»S«

R09E-3030HA-4M-2543

»B«

R09E-3030HP-4M-2543

Available on request

**Fan with wall plate****Airflow****Direction****Type:**

»S« R09P-3130HA-4M-3509  
 »B« R09P-3130HP-4M-3509

Available on request

R09\_-3130H\_-4M-3509



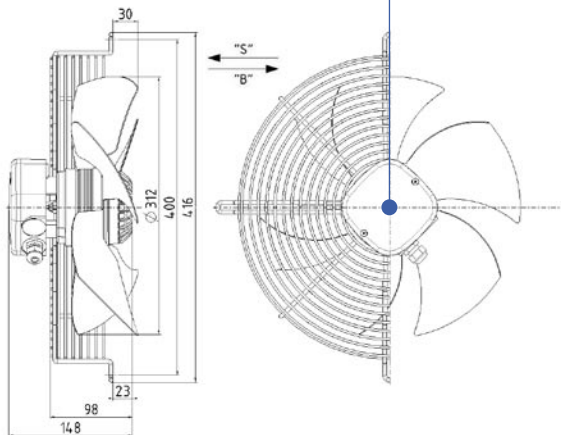
**Diameter:** 315 mm

**Fan with guard grill****Airflow****Direction****Type:**

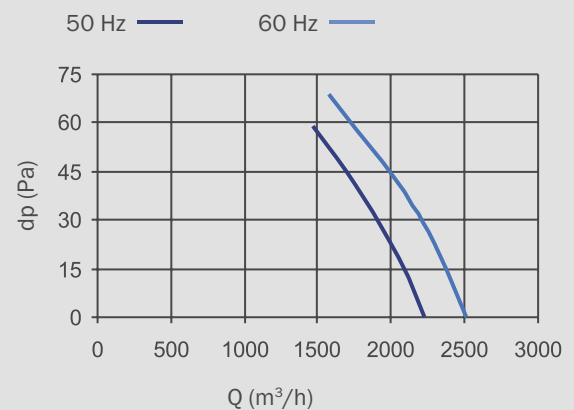
»S« R09R-3130HA-4M-3509  
 »B« R09R-3130HP-4M-3509

**Code:**

0309-4-1002



**Weight:**  
3,3 kg

**Aerodynamic characteristic:****Fan without guard grill****Airflow****Direction****Type:**

»S« R09E-3130HA-4M-3509  
 »B« R09E-3130HP-4M-3509

Available on request

**Performance Data:**

1~230V 50/60Hz

$P_1 = 90 / 120W$

$n = 1350 / 1500\text{min}^{-1}$

$I = 0,40 / 0,55A$

$t_R = 70 / 60^\circ\text{C}$

$L_{wa} = 68 / 72\text{dB(A)}$

$C = 3\mu\text{F} / 450V$

Connection: terminal box

Ins.Cl. F

IP54

**Notes:**

Fan characteristic measured in full bell mouth with guard grill





**Diameter:** 330 mm

R09\_-3330H\_-4M-3542

#### Fan with wall plate

##### Airflow

##### Direction Type:

»S«

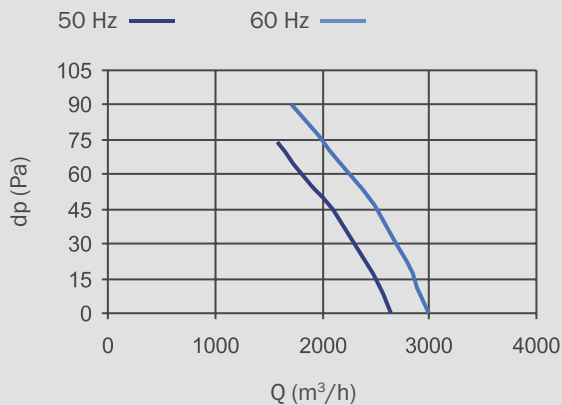
R09P-3330HA-4M-3542

»B«

R09P-3330HP-4M-3542

Available on request

#### Aerodynamic characteristic:



#### Performance Data:

1~230V 50/60Hz

$P_1 = 130 / 170W$

$n = 1345 / 1500min^{-1}$

$I = 0,55 / 0,75A$

$t_R = 60^\circ C$

$L_{wa} = 70 / 74dB(A)$

$C=4\mu F/450V$

Connection: terminal box

Ins.Cl. F

IP54

#### Notes:

Fan characteristic measured in full bell mouth with guard grill

#### Fan with guard grill

##### Airflow

##### Direction Type:

»S«

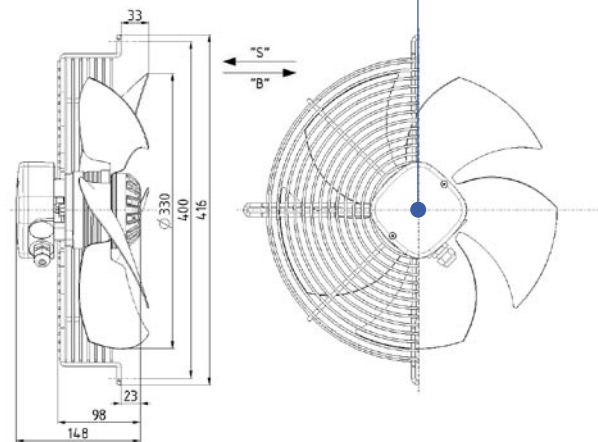
R09R-3330HA-4M-3542

»B«

R09R-3330HP-4M-3542

##### Code:

0309-4-1001



##### Weight:

3,4 kg

#### Fan without guard grill

##### Airflow

##### Direction Type:

»S«

R09E-3330HA-4M-3542

»B«

R09E-3330HP-4M-3542

Available on request

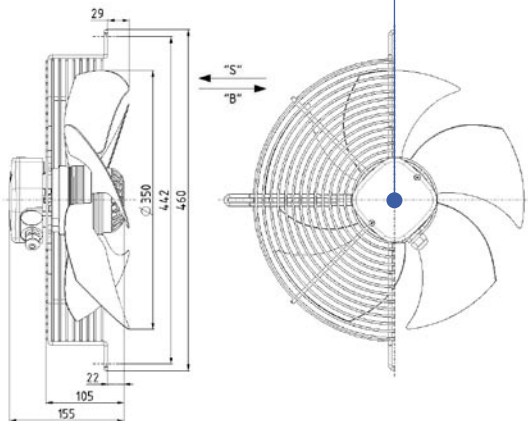
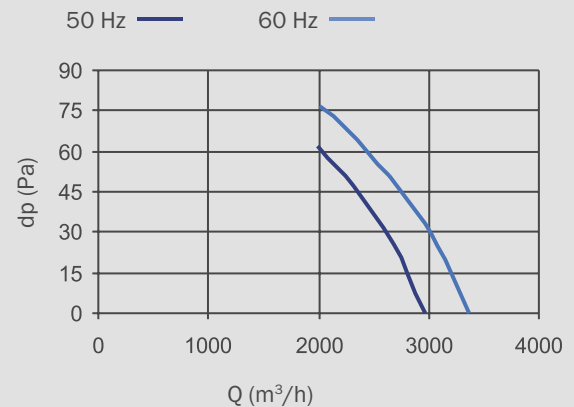
**Fan with wall plate****Airflow****Direction**»S«  
»B«**Type:**R09P-3530HA-4M-4231  
R09P-3530HP-4M-4231

Available on request

R09\_-3530H\_-4M-4231

**Diameter:** 350 mm**Fan with guard grill****Airflow****Direction**»S«  
»B«**Type:**R09R-3530HA-4M-4231  
R09R-3530HA-4M-4231**Code:**

0309-4-1000

**Weight:**  
3,7 kg**Aerodynamic characteristic:****Fan without guard grill****Airflow****Direction**»S«  
»B«**Type:**R09E-3530HA-4M-4231  
R09E-3530HA-4M-4231

Available on request

**Performance Data:**

1~230V 50/60Hz

 $P_1 = 130 / 170W$  $n = 1360 / 1550\text{min}^{-1}$  $I = 0,60 / 0,75A$  $t_R = 60^\circ C$  $L_{wa} = 72 / 75\text{dB(A)}$  $C=5\mu F/450V$ 

Connection: terminal box

Ins.Cl. F

IP54

**Notes:**

Fan characteristic measured in full bell mouth with guard grill



**Diameter:** 300 mm

R09\_-3030H\_-4T-2513

### Fan with wall plate

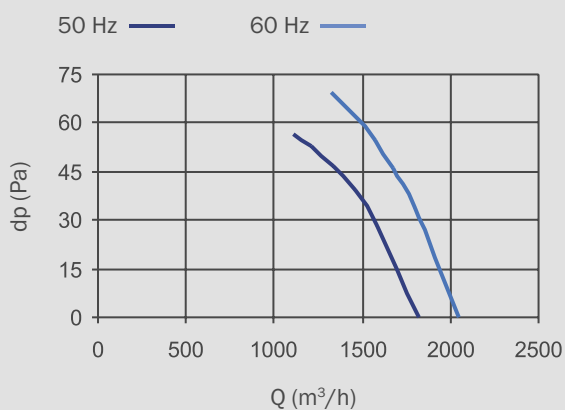
#### Airflow

#### Direction Type:

»S« R09P-3030HA-4T-2513  
»B« R09P-3030HP-4T-2513

Available on request

### Aerodynamic characteristic:



### Performance Data:

3~230 / 400V 50/60Hz

$P_1 = 70 / 84W$

$n = 1380 / 1560\text{min}^{-1}$

$I = 0,35 / 0,20A / 0,30 / 0,18A$

$t_R = 55^\circ\text{C}$

Lwa=67 / 72 dB(A)

Connection: terminal box

Ins.Cl. F

IP54

### Notes:

Fan characteristic measured in full bell mouth with guard grill

### Fan with guard grill

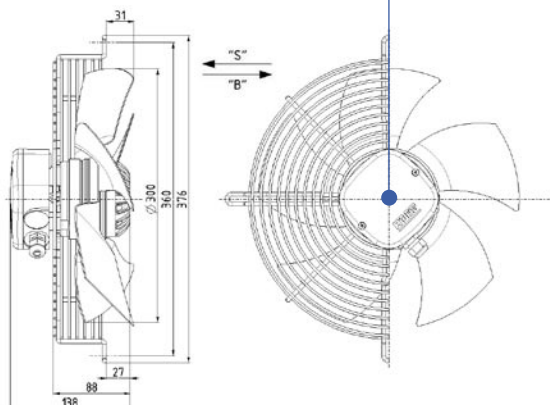
#### Airflow

#### Direction Type:

»S« R09R-3030HA-4T-2513  
»B« R09R-3030HP-4T-2513

#### Code:

0309-4-1038



**Weight:**  
3 kg

### Fan without guard grill

#### Airflow

#### Direction Type:

»S« R09E-3030HA-4T-2513  
»B« R09E-3030HP-4T-2513

Available on request

**Fan with wall plate****Airflow****Direction****Type:**

»S«

R09P-3130HA-4T-3524

»B«

R09P-3130HP-4T-3524

Available on request

R09\_-3130H\_-4T-3524

**Diameter:** 315 mm**Fan with guard grill****Airflow****Direction****Type:**

»S«

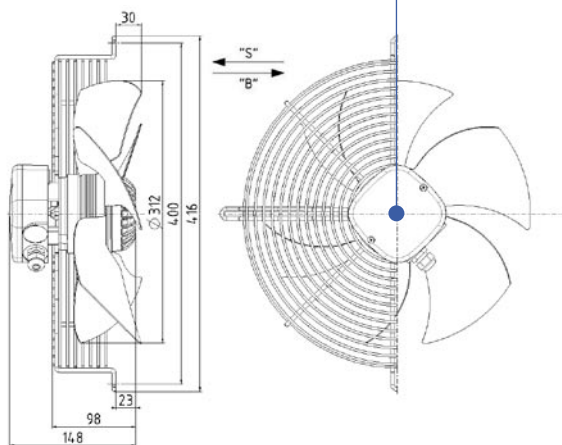
R09R-3130HA-4T-3524

»B«

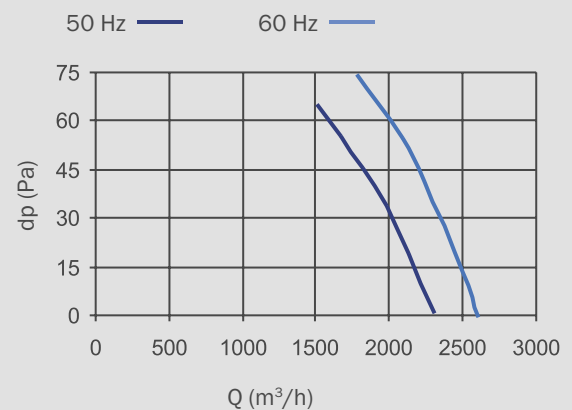
R09R-3130HP-4T-3524

**Code:**

0309-4-1039

**Weight:**

3,4 kg

**Aerodynamic characteristic:****Fan without guard grill****Airflow****Direction****Type:**

»S«

R09E-3130HA-4T-3524

»B«

R09E-3130HP-4T-3524

Available on request

**Performance Data:**

3~230 / 400V 50/60Hz

 $P_1 = 100 / 120\text{W}$  $n = 1370 / 1530 \text{ min}^{-1}$  $I = 0,41 / 0,23\text{A} / 0,41 / 0,23\text{A}$  $t_R = 55^\circ\text{C}$ 

Lwa= 69 / 73dB(A)

Connection: terminal box

Ins.Cl. F

IP54

**Notes:**

Fan characteristic measured in full bell mouth with guard grill



**Diameter:** 350 mm

R09\_-3530H\_-4T-4203

#### Fan with wall plate

##### Airflow

##### Direction Type:

»S«

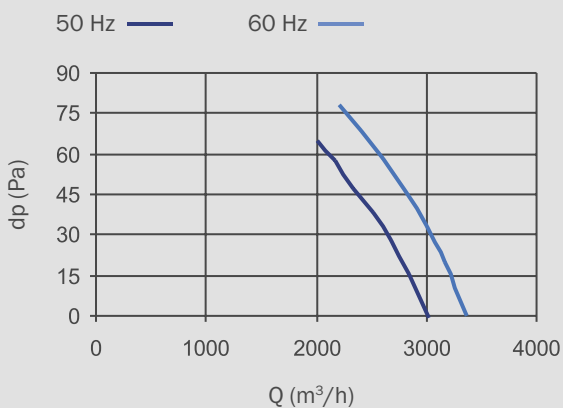
R09P-3530HA-4T-4203

»B«

R09P-3530HP-4T-4203

Available on request

#### Aerodynamic characteristic:



#### Performance Data:

3~230 / 400V 50/60Hz

$P_1 = 135 / 170W$

$n = 1380 / 1540min^{-1}$

$I = 0,53 / 0,30A / 0,53 / 0,30A$

$t_R = 50^\circ C$

$L_{wa} = 72 / 75dB$

Connection: terminal box

Ins.Cl. F

IP54

#### Notes:

Fan characteristic measured in full bell mouth with guard grill

#### Fan with guard grill

##### Airflow

##### Direction Type:

»S«

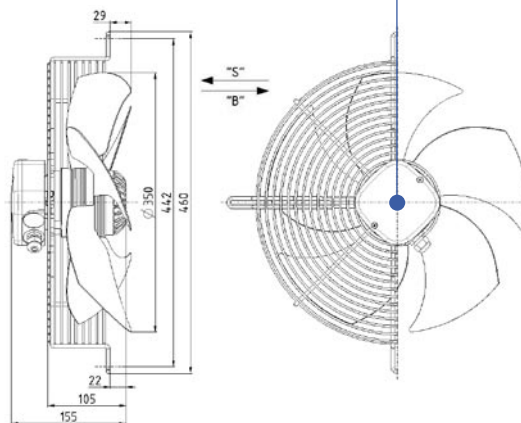
R09R-3530HA-4T-4203

»B«

R09R-3530HP-4T-4203

##### Code:

0309-4-1023



##### Weight:

3,7 kg

#### Fan without guard grill

##### Airflow

##### Direction Type:

»S«

R09E-3530HA-4T-4203

»B«

R09E-3530HP-4T-4203

Available on request

**Fan with wall plate**

**Airflow**

**Direction**

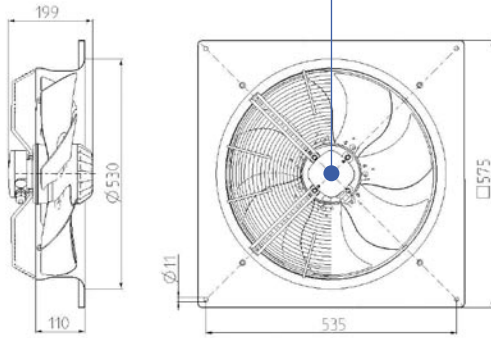
- »S«
- »B«

**Type:**

- R13P-4530HA-4T2-5059
- R13P-4530HP-4T2-5059

**Code:**

0313-4-1054



**Weight:**  
15,5 kg

R13\_-4530H\_-4T2-5059



**Diameter:** 450 mm

**Fan with guard grill**

**Airflow**

**Direction**

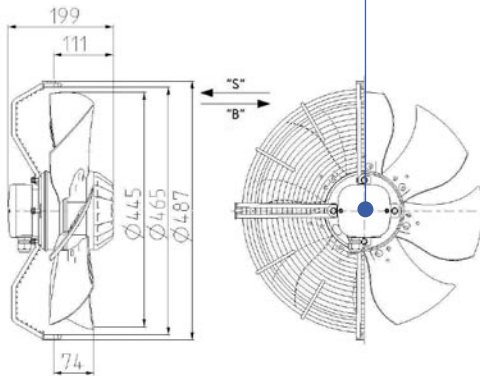
- »S«
- »B«

**Type:**

- R13R-4530HA-4T2-5059
- R13R-4530HP-4T2-5059

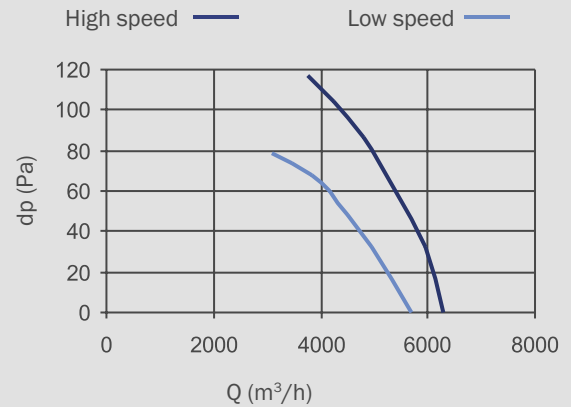
**Code:**

0313-4-1069



**Weight:**  
10 kg

**Aerodynamic characteristic:**



**Fan without guard grill**

**Airflow**

**Direction**

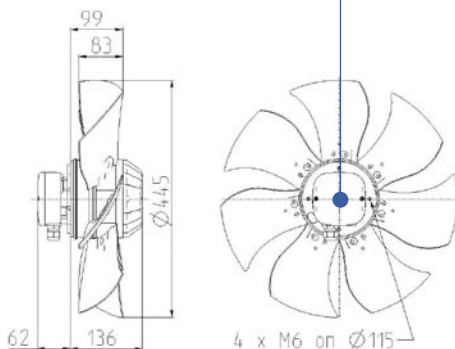
- »S«
- »B«

**Type:**

- R13E-4530HA-4T2-5059
- R13E-4530HP-4T2-5059

**Code:**

0313-4-1070



**Weight:**  
8,1 kg

**Performance Data:**

- 3~400V D/Y 50Hz
- $P_1 = 465 / 330W$
- $n = 1400 / 1260min^{-1}$
- $I = 0,95 / 0,50A$
- $t_R = 70^\circ C$
- $L_{wa} = 73 / 69dB(A)$
- Connection: terminal box
- Ins.Cl. F
- IP54

**Notes:**

Fan characteristic measured in full bell mouth with guard grill



**Diameter:** 450 mm

R13\_-4530H\_-6T2-5060

### Fan with wall plate

#### Airflow

#### Direction

»S«

»B«

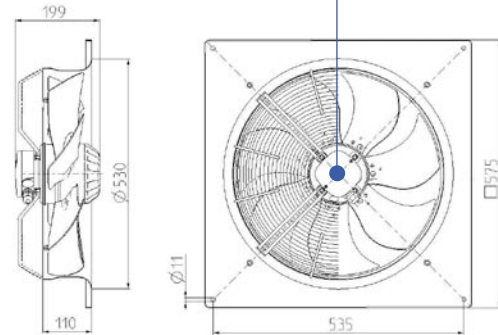
#### Type:

R13P-4530HA-6T2-5060

R13P-4530HP-6T2-5060

#### Code:

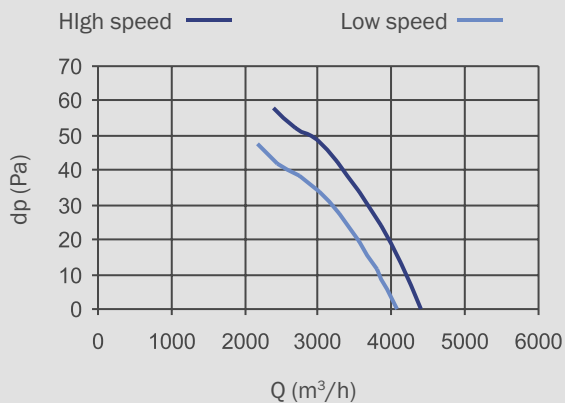
0313-4-1071



#### Weight:

15,5 kg

### Aerodynamic characteristic:



### Performance Data:

3~400V D/Y 50Hz

$P_1 = 170 / 105W$

$n = 940 / 840\text{min}^{-1}$

$I = 0,70 / 0,23A$

$t_R = 70^\circ\text{C}$

$L_{wa} = 67 / 62\text{dB(A)}$

Connection: terminal box

Ins.Cl. F

IP54

### Notes:

Fan characteristic measured in full bell mouth with guard grill

### Fan with guard grill

#### Airflow

#### Direction

»S«

»B«

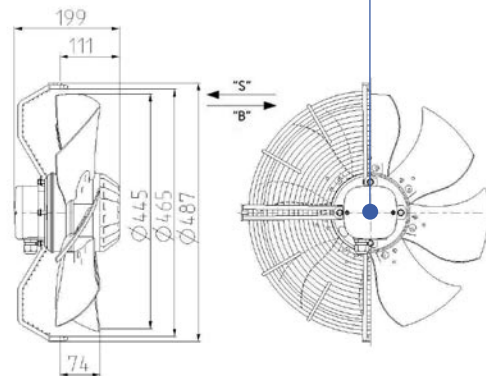
#### Type:

R13R-4530HA-6T2-5060

R13R-4530HP-6T2-5060

#### Code:

0313-4-1072



#### Weight:

10 kg

### Fan without guard grill

#### Airflow

#### Direction

»S«

»B«

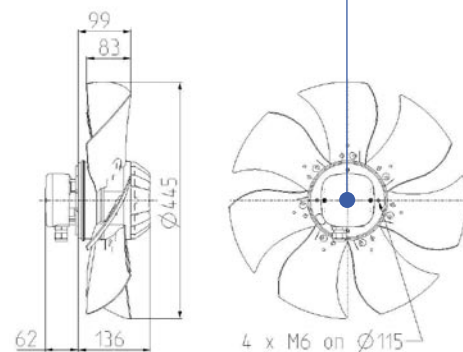
#### Type:

R13E-4530HA-6T2-5060

R13E-4530HP-6T2-5060

#### Code:

0313-4-1062



#### Weight:

8,1 kg

**Fan with wall plate**

**Airflow**

**Direction**

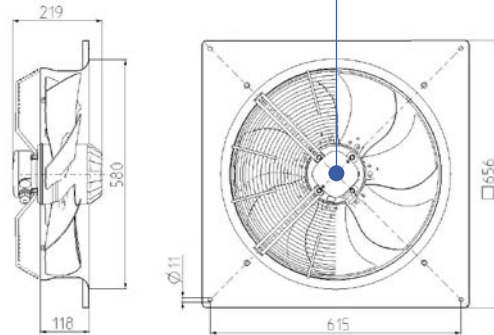
- »S«
- »B«

**Type:**

- R13P-5030HA-4T2-7056
- R13P-5030HP-4T2-7056

**Code:**

0313-4-1028



**Weight:**  
18 kg

R13\_-5030H\_-4T2-7056



**Diameter:** 500 mm

**Fan with guard grill**

**Airflow**

**Direction**

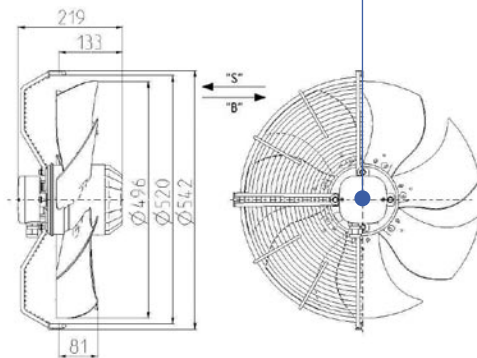
- »S«
- »B«

**Type:**

- R13R-5030HA-4T2-7056
- R13R-5030HP-4T2-7056

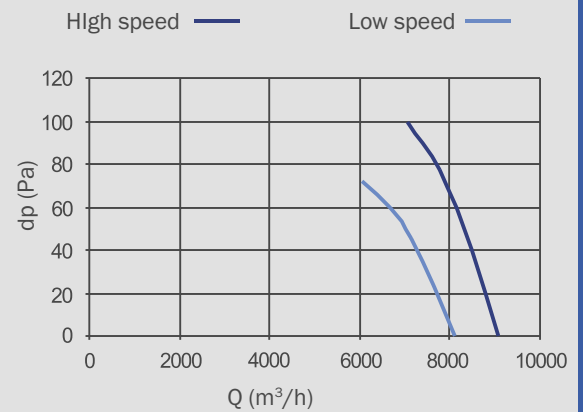
**Code:**

0313-4-1038



**Weight:**  
12,5 kg

**Aerodynamic characteristic:**



**Fan without guard grill**

**Airflow**

**Direction**

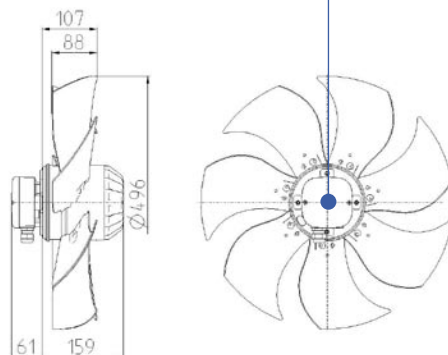
- »S«
- »B«

**Type:**

- R13E-5030HA-4T2-7056
- R13E-5030HP-4T2-7056

**Code:**

0313-4-1062



**Weight:**  
10,1 kg

**Performance Data:**

- 3~400V D/Y 50Hz
- $P_1 = 0,63 / 0,48kW$
- $n = 1415 / 1260min^{-1}$
- $I = 1,75 / 0,85A$
- $t_R = 60^\circ C$
- $Lwa = 76 / 72dB(A)$
- Connection: terminal box
- Ins.Cl. F
- IP54

**Notes:**

Fan characteristic measured in full bell mouth with guard grill





**Diameter:** 500 mm

R13\_5030H\_4M-7075

### Fan with wall plate

#### Airflow

#### Direction

»S«

»B«

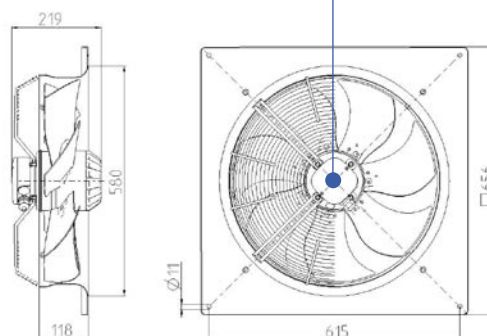
#### Type:

R13P-5030HA-4M-7075

R13P-5030HP-4M-7075

#### Code:

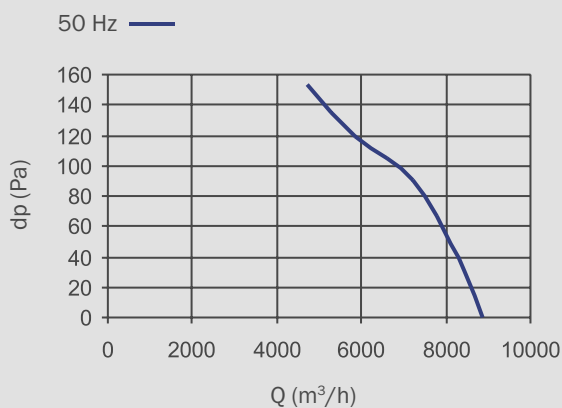
0313-4-1120



#### Weight:

18,6 kg

### Aerodynamic characteristic:



### Performance Data:

1~230V 50Hz

$P_1 = 780W$

$n = 1370\text{min}^{-1}$

$I = 3,5A$

$t_R = 60^\circ C$

$L_{wa} = 76\text{dB(A)}$

$C = 16\mu F / 450V$

Connection: terminal box

Ins.Cl. F

IP54

### Notes:

Fan characteristic measured in full bell mouth with guard grill

### Fan with guard grill

#### Airflow

#### Direction

»S«

»B«

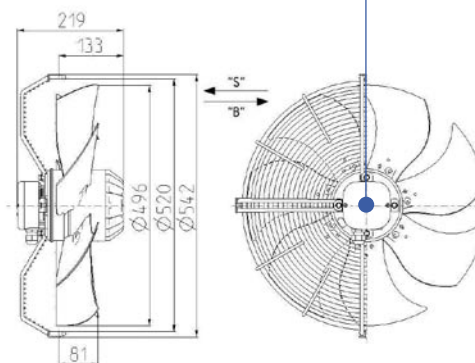
#### Type:

R13R-5030HA-4M-7075

R13R-5030HP-4M-7075

#### Code:

0313-4-1081



#### Weight:

13,1 kg

### Fan without guard grill

#### Airflow

#### Direction

»S«

»B«

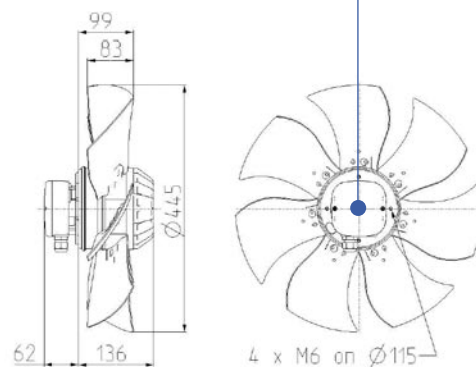
#### Type:

R13E-5030HA-4M-7075

R13E-5030HP-4M-7075

#### Code:

0313-4-1121

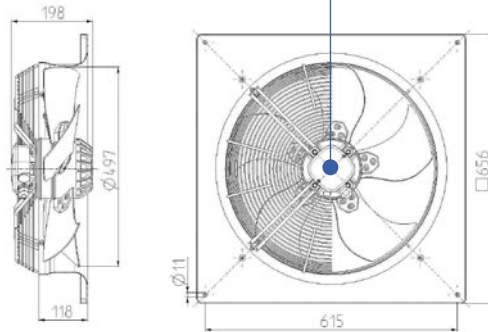


#### Weight:

10,7 kg

**Fan with wall plate****Airflow****Direction**»S«  
»B«**Type:**R13P-5030HA-6M-5072  
R13P-5030HP-6M-5072**Code:**

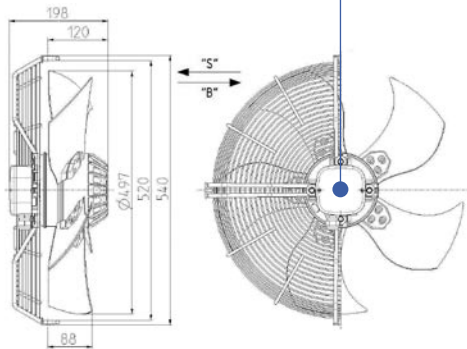
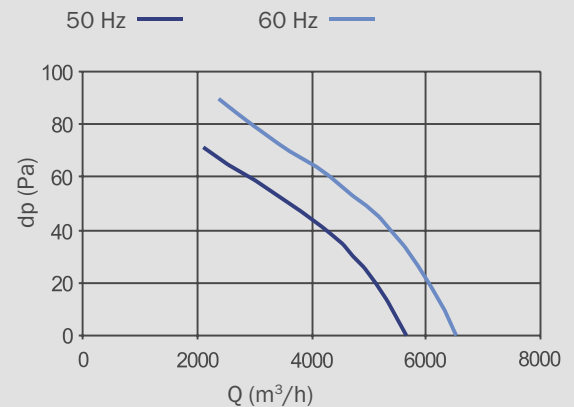
0313-4-1105

**Weight:**  
15,8 kg

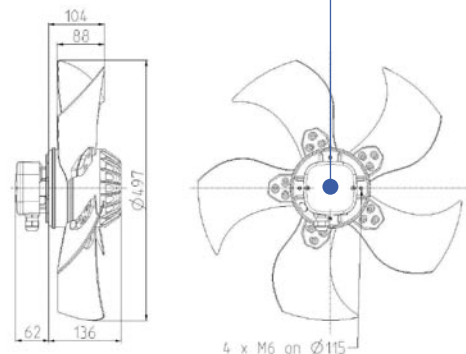
R13\_-5030H\_-6M-5072

**Diameter:** 500 mm**Fan with guard grill****Airflow****Direction**»S«  
»B«**Type:**R13R-5030HA-6M-5072  
R13R-5030HP-6M-5072**Code:**

0313-4-1083

**Weight:**  
10,3 kg**Aerodynamic characteristic:****Fan without guard grill****Airflow****Direction**»S«  
»B«**Type:**R13E-5030HA-6M-5072  
R13E-5030HP-6M-5072**Code:**

0313-4-1104

**Weight:**  
7,9 kg**Performance Data:**

1~230V 50/60Hz

 $P_1 = 245 / 320W$  $n = 900 / 1030min^{-1}$  $I = 1,1 / 1,35A$  $t_R = 60^\circ C$  $L_{wa} = 72 / 76dB(A)$  $C = 8\mu F / 450V$ 

Connection: terminal box

Ins.Cl. F

IP54

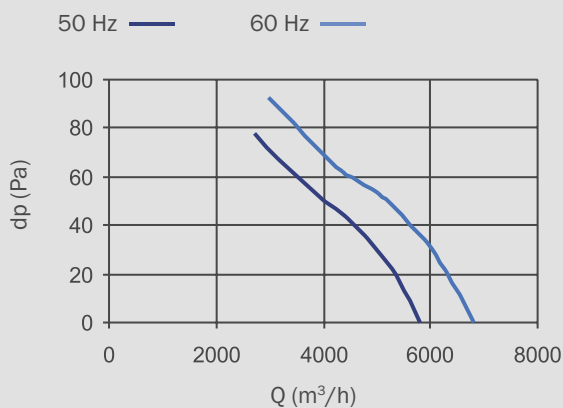
**Notes:**

Fan characteristic measured in full bell mouth with guard grill



**Diameter:** 500 mm

#### Aerodynamic characteristic:



#### Performance Data:

1~230V 50/60Hz  
 $P_1 = 280 / 370W$   
 $n = 890 / 1000min^{-1}$   
 $I = 1,2 / 1,5A$   
 $t_R = 55^\circ C$   
 $Lwa = 75 / 78dB(A)$   
 $C = 8uF / 450V$   
 Connection: terminal box  
 Ins.Cl. F  
 IP54

#### Notes:

Fan characteristic measured in full bell mouth with guard grill

R13\_-5030H\_-6M-5071

#### Fan with wall plate

##### Airflow

##### Direction

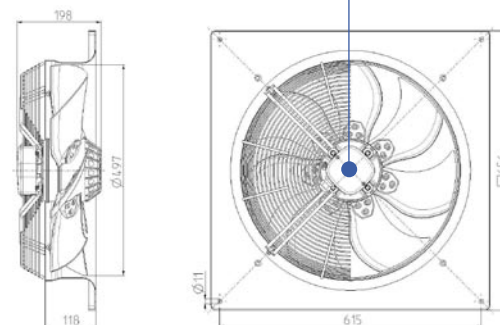
»S«  
 »B«

##### Type:

R13P-5030HA-6M-5071  
 R13P-5030HP-6M-5071

##### Code:

0313-4-1102



##### Weight:

16 kg

#### Fan with guard grill

##### Airflow

##### Direction

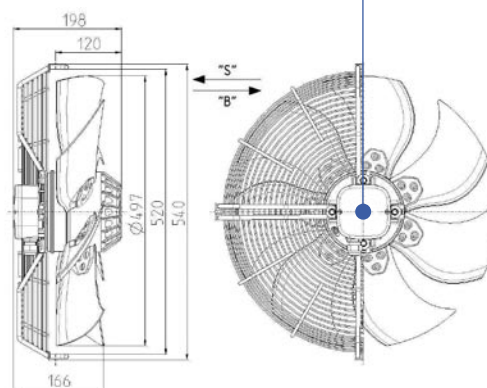
»S«  
 »B«

##### Type:

R13R-5030HA-6M-5071  
 R13R-5030HP-6M-5071

##### Code:

0313-4-1080



##### Weight:

10,5 kg

#### Fan without guard grill

##### Airflow

##### Direction

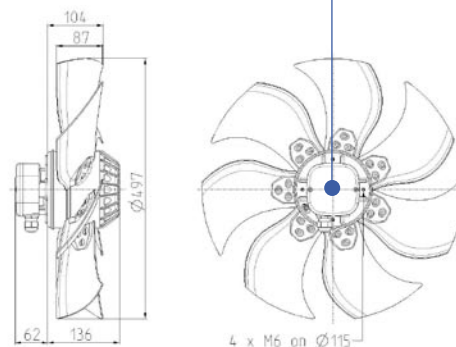
»S«  
 »B«

##### Type:

R13E-5030HA-6M-5071  
 R13E-5030HP-6M-5071

##### Code:

0313-4-1101



##### Weight:

8 kg

**Fan with wall plate****Airflow****Direction**

»S«

»B«

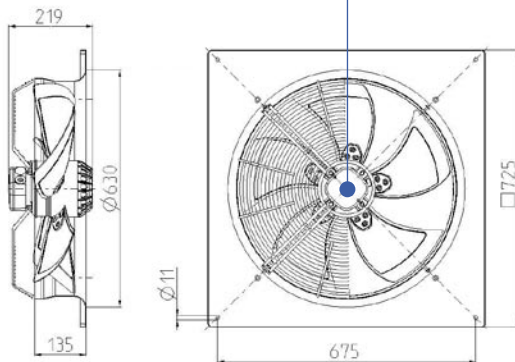
**Type:**

R13P-5630HA-6M-7036

R13P-5630HP-6M-7036

**Code:**

0313-4-1031

**Weight:**

21 kg

R13\_-5630H\_-6M-7036

**Diameter:** 560 mm**Fan with guard grill****Airflow****Direction**

»S«

»B«

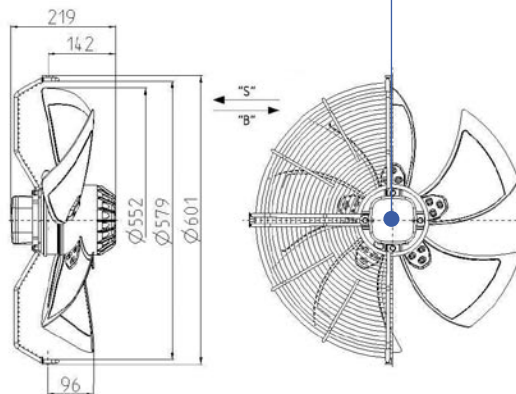
**Type:**

R13R-5630HA-6M-7036

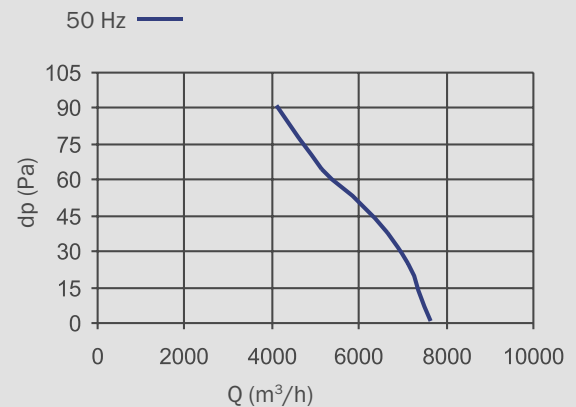
R13R-5630HP-6M-7036

**Code:**

0313-4-1007

**Weight:**

13,3 kg

**Aerodynamic characteristic:****Fan without guard grill****Airflow****Direction**

»S«

»B«

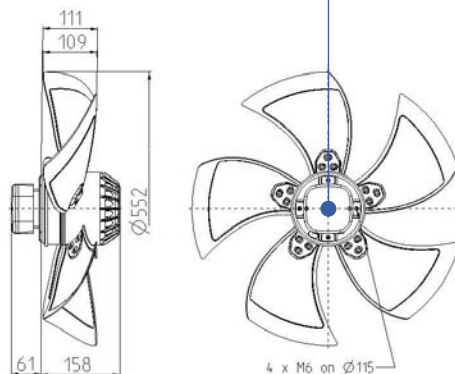
**Type:**

R13E-5630HA-6M-7036

R13E-5630HP-6M-7036

**Code:**

0313-4-1066

**Weight:**

10,5 kg

**Performance Data:**

1~230V 50Hz

 $P_1 = 420W$  $n = 865min^{-1}$  $I = 1,9A$  $t_R = 55^\circ C$  $L_{wa} = 76dB(A)$  $C = 12.5\mu F / 450V$ 

Connection: terminal box

Ins.Cl. F

IP54

**Notes:**

Fan characteristic measured in full bell mouth with guard grill



Diameter: 560 mm

R13\_5630H\_6T2-7008

**Fan with wall plate**

**Airflow**

**Direction**

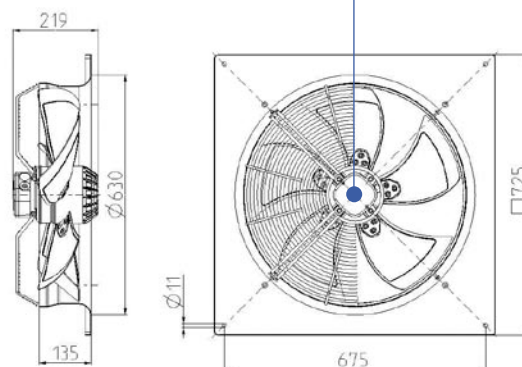
- »S«
- »B«

**Type:**

- R13P-5630HA-6T2-7008
- R13P-5630HP-6T2-7008

**Code:**

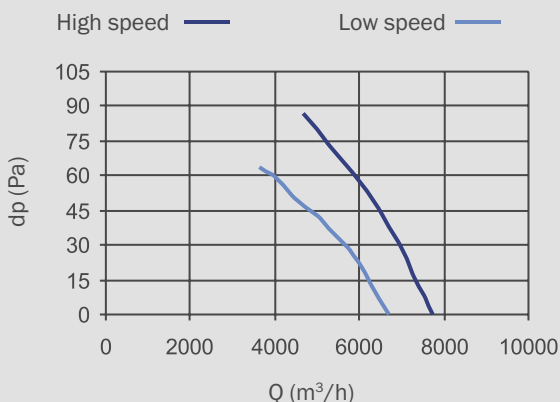
0313-4-1015



**Weight:**

21 kg

**Aerodynamic characteristic:**



**Performance Data:**

- 3~400V D/Y 50Hz
- $P_1 = 0,38 / 0,25kW$
- $n = 910 / 760min^{-1}$
- $I = 0,85 / 0,44A$
- $t_R = 70^{\circ}C$
- $Lwa = 76 / 71dB(A)$
- Connection: terminal box
- Ins.Cl. F
- IP54

**Notes:**

Fan characteristic measured in full bell mouth with guard grill

**Fan with guard grill**

**Airflow**

**Direction**

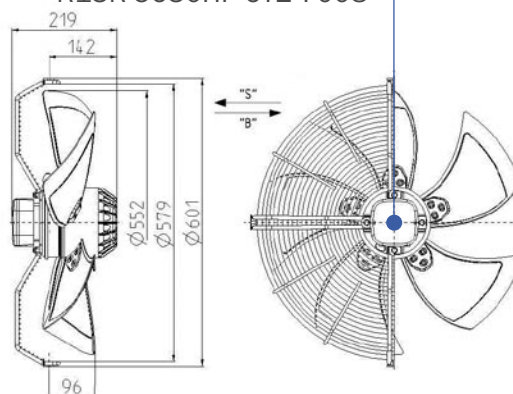
- »S«
- »B«

**Type:**

- R13R-5630HA-6T2-7008
- R13R-5630HP-6T2-7008

**Code:**

0313-4-1011



**Weight:**

13,3 kg

**Fan without guard grill**

**Airflow**

**Direction**

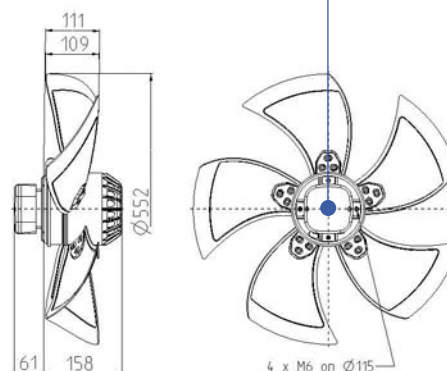
- »S«
- »B«

**Type:**

- R13E-5630HA-6T2-7008
- R13E-5630HP-6T2-7008

**Code:**

0313-4-1045



**Weight:**

10,5 kg

**Fan with wall plate**

**Airflow**

**Direction**

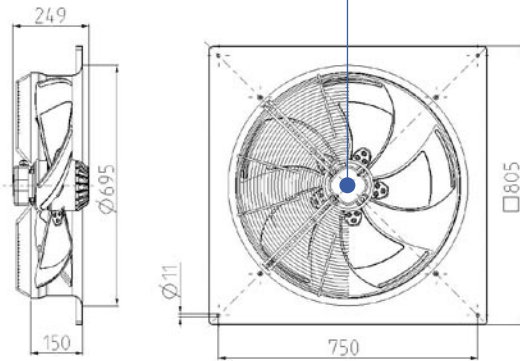
- »S«
- »B«

**Type:**

- R13P-6330HA-6M-X055
- R13P-6330HP-6M-X055

**Code:**

0313-4-1060



**Weight:**  
21 kg

R13\_-6330H\_-6M-X055



**Diameter:** 630 mm

**Fan with guard grill**

**Airflow**

**Direction**

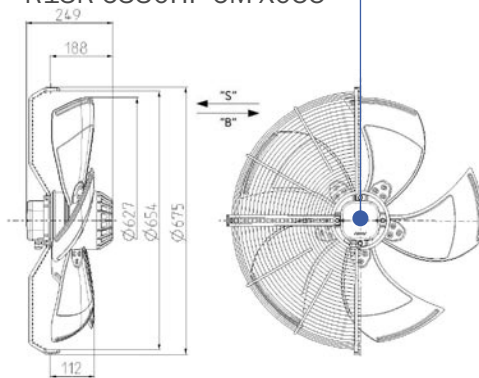
- »S«
- »B«

**Type:**

- R13R-6330HA-6M-X055
- R13R-6330HP-6M-X055

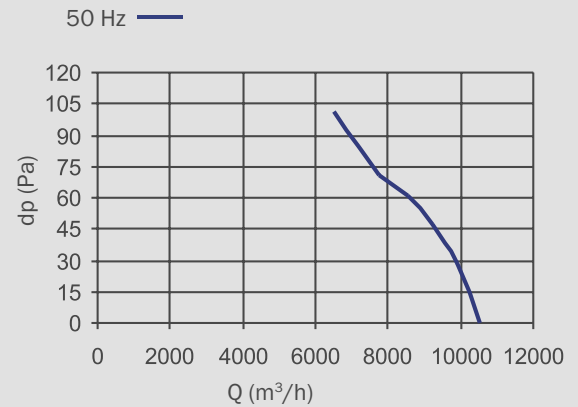
**Code:**

0313-4-1005



**Weight:**  
13,3 kg

**Aerodynamic characteristic:**



**Fan without guard grill**

**Airflow**

**Direction**

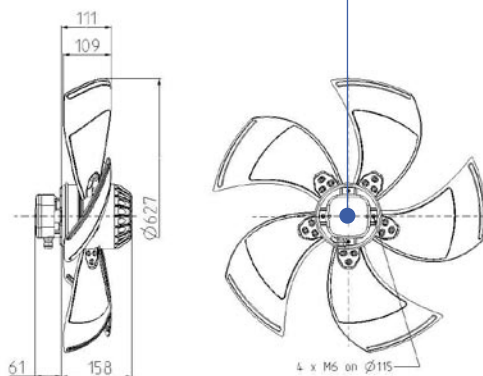
- »S«
- »B«

**Type:**

- R13E-6330HA-6M-X055
- R13E-6330HP-6M-X055

**Code:**

0313-4-1061



**Weight:**  
10,5 kg

**Performance Data:**

- 1~230V 50Hz
- $P_1 = 680W$
- $n = 890min^{-1}$
- $I = 3,1A$
- $t_R = 50^\circ C$
- $Lwa = 77 dB(A)$
- $C = 18uF / 450V$
- Connection: terminal box
- Ins.Cl. F
- IP54

**Notes:**

Fan characteristic measured in full bell mouth with guard grill



**Diameter:** 630 mm

R13\_6330H\_6T2-7042

### Fan with wall plate

#### Airflow

#### Direction

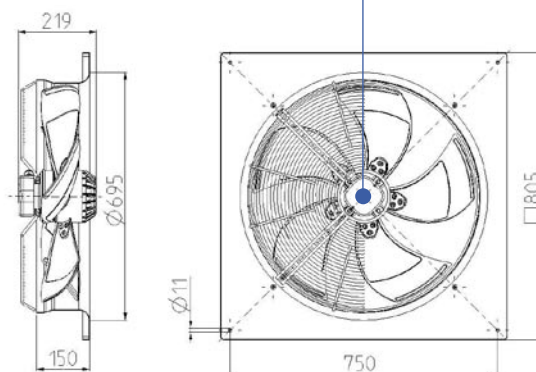
- »S«
- »B«

#### Type:

- R13P-6330HA-6T2-7042
- R13P-6330HP-6T2-7042

#### Code:

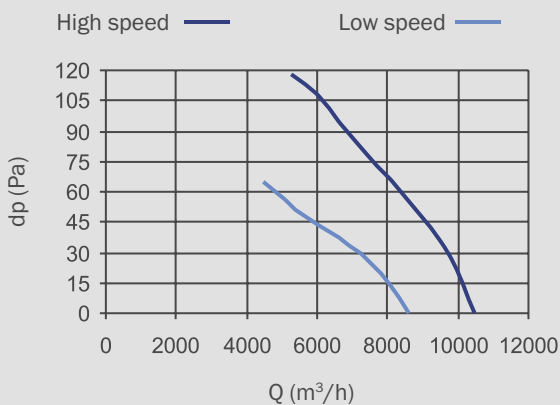
0313-4-1013



#### Weight:

23,3 kg

### Aerodynamic characteristic:



### Performance Data:

3~400V D/Y 50Hz  
 $P_1 = 0,60 / 0,38\text{kW}$   
 $n = 870 / 640\text{min}^{-1}$   
 $I = 1,25 / 0,65\text{A}$   
 $t_R = 65^\circ\text{C}$   
 $L_{wa} = 76,5 / 73\text{dB(A)}$   
 Connection: terminal box  
 Ins.Cl. F  
 IP54

### Notes:

Fan characteristic measured in full bell mouth with guard grill

### Fan with guard grill

#### Airflow

#### Direction

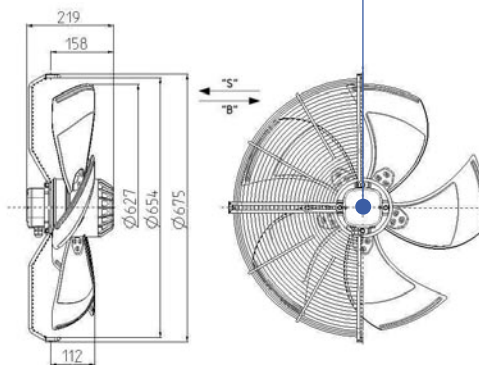
- »S«
- »B«

#### Type:

- R13R-6330HA-6T2-7042
- R13R-6330HP-6T2-7042

#### Code:

0313-4-1000



#### Weight:

14,5 kg

### Fan without guard grill

#### Airflow

#### Direction

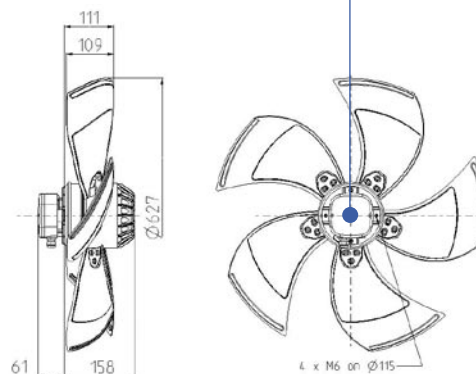
- »S«
- »B«

#### Type:

- R13E-6330HA-6T2-7042
- R13E-6330HP-6T2-7042

#### Code:

0313-4-1042

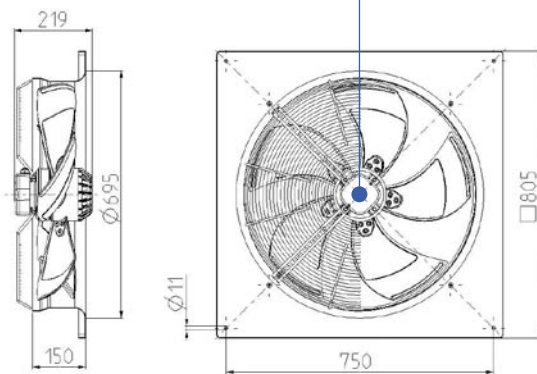


#### Weight:

10,8 kg

**Fan with wall plate****Airflow****Direction**»S«  
»B«**Type:**R13P-6330HA-8T2-7038  
R13P-6330HP-8T2-7038**Code:**

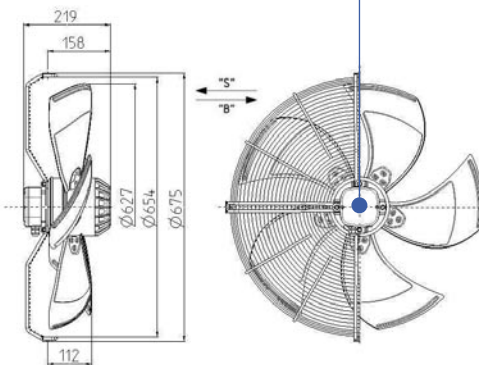
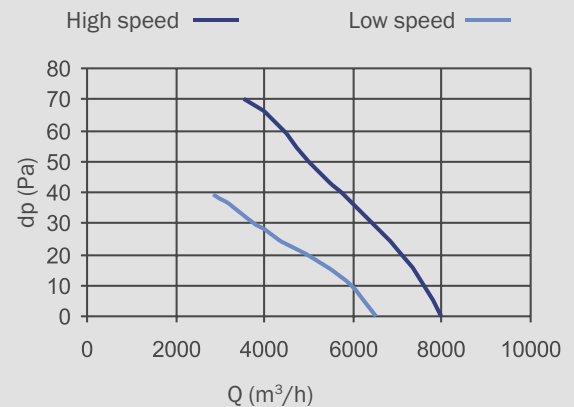
0313-4-1030

**Weight:**  
23,3 kg

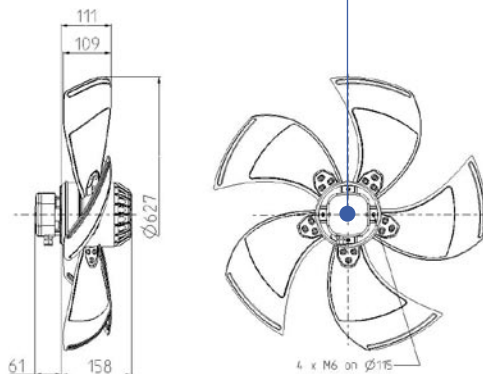
R13\_-6330H\_-8T2-7038

**Diameter:** 630 mm**Fan with guard grill****Airflow****Direction**»S«  
»B«**Type:**R13R-6330HA-8T2-7038  
R13R-6330HP-8T2-7038**Code:**

0313-4-1023

**Weight:**  
14,5 kg**Aerodynamic characteristic:****Fan without guard grill****Airflow****Direction**»S«  
»B«**Type:**R13E-6330HA-8T2-7038  
R13E-6330HP-8T2-7038**Code:**

0313-4-1043

**Weight:**  
10,8 kg**Performance Data:**

3~400V D/Y 50Hz

 $P_1 = 0,28 / 0,175\text{kW}$  $n = 650 / 510\text{min}^{-1}$  $I = 0,68 / 0,30\text{A}$  $t_R = 70^\circ\text{C}$  $L_{wa} = 70,5 / 66\text{dB(A)}$ 

Connection: terminal box

Ins.Cl. F

IP54

**Notes:**

Fan characteristic measured in full bell mouth with guard grill





**Diameter:** 630 mm

R13\_6330H\_-12T2-7051

### Fan with wall plate

#### Airflow

#### Direction

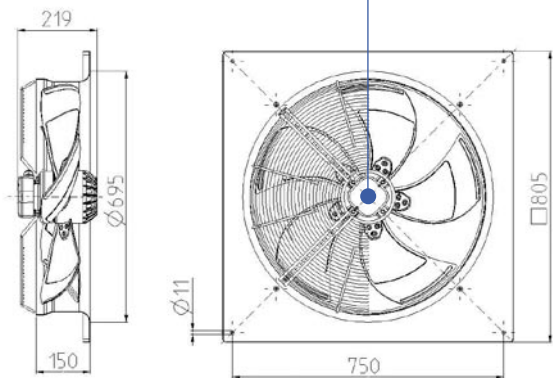
- »S«
- »B«

#### Type:

- R13P-6330HA-12T2-7051
- R13P-6330HP-12T2-7051

#### Code:

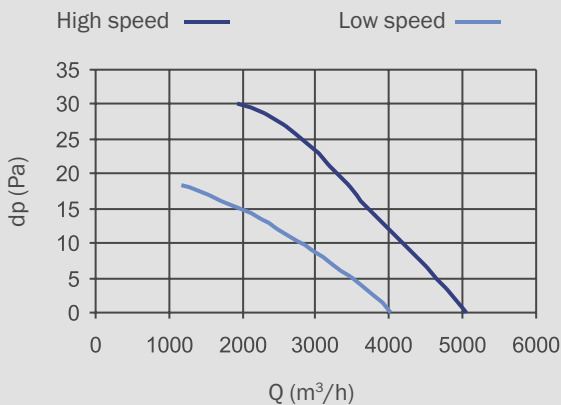
0313-4-1037



#### Weight:

23,3 kg

### Aerodynamic characteristic:



### Performance Data:

3~400V D/Y 50Hz

$P_1 = 112 / 58W$

$n = 430 / 330\text{min}^{-1}$

$I = 0,33 / 0,13A$

$t_R = 70^\circ\text{C}$

$L_{wa} = 63 / 53\text{dB(A)}$

Connection: terminal box

Ins.Cl. F

IP54

### Notes:

Fan characteristic measured in full bell mouth with guard grill

### Fan with guard grill

#### Airflow

#### Direction

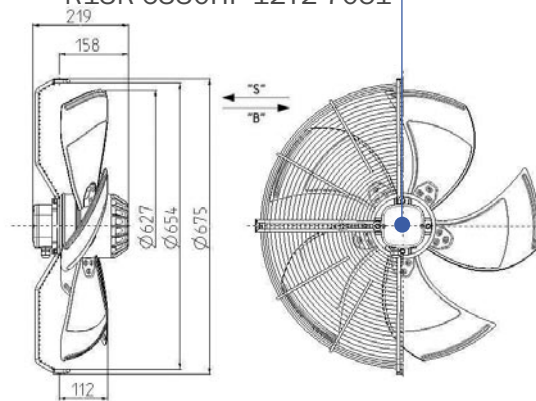
- »S«
- »B«

#### Type:

- R13R-6330HA-12T2-7051
- R13R-6330HP-12T2-7051

#### Code:

0313-4-1041



#### Weight:

14,5 kg

### Fan without guard grill

#### Airflow

#### Direction

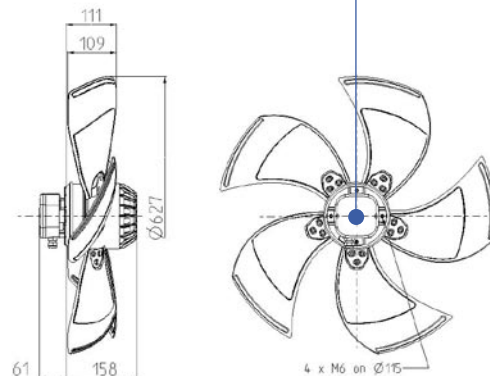
- »S«
- »B«

#### Type:

- R13E-6330HA-12T2-7051
- R13E-6330HP-12T2-7051

#### Code:

0313-4-1044



#### Weight:

10,8 kg

**Fan with wall plate****Airflow****Direction**

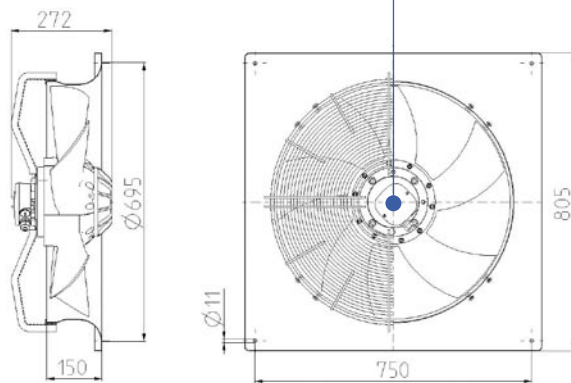
»S«

**Type:**

R18P-6330HA-4T2-X003

**Code:**

0318-4-0020

**Weight:**

39 kg

R18\_-6330H\_-4T2-X003

**Diameter:** 630 mm**Fan with guard grill****Airflow****Direction**

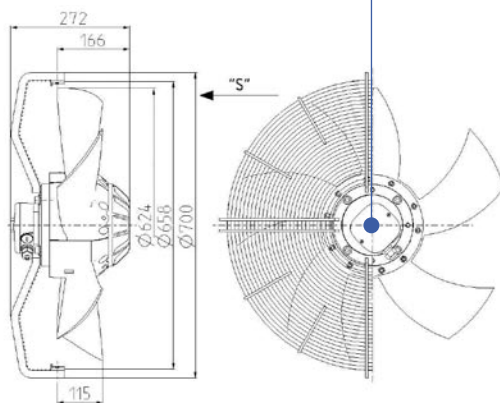
»S«

**Type:**

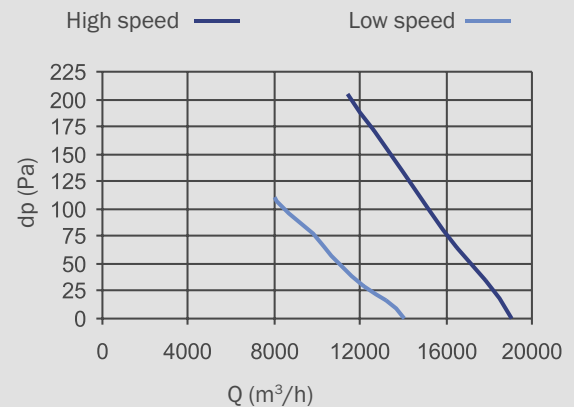
R18R-6330HA-4T2-X003

**Code:**

0318-4-0014

**Weight:**

30,5 kg

**Aerodynamic characteristic:****Fan without guard grill****Airflow****Direction**

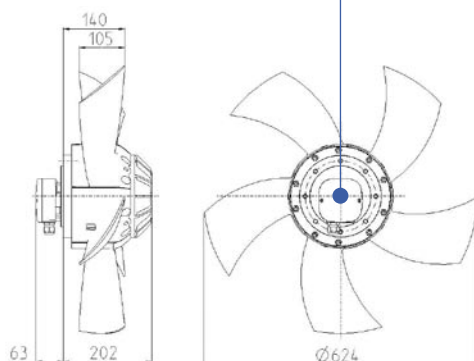
»S«

**Type:**

R18E-6330HA-4T2-X003

**Code:**

0318-4-0010

**Weight:**

26 kg

**Performance Data:**

3~400V D/Y 50Hz

 $P_1 = 2,35 / 1,37\text{kW}$  $n = 1360 / 1000\text{min}^{-1}$  $I = 4,65 / 2,75\text{A}$  $t_R = 55^\circ\text{C}$  $L_{wa} = 89 / 83\text{dB(A)}$ 

Connection: terminal box

Ins.Cl. F

IP54

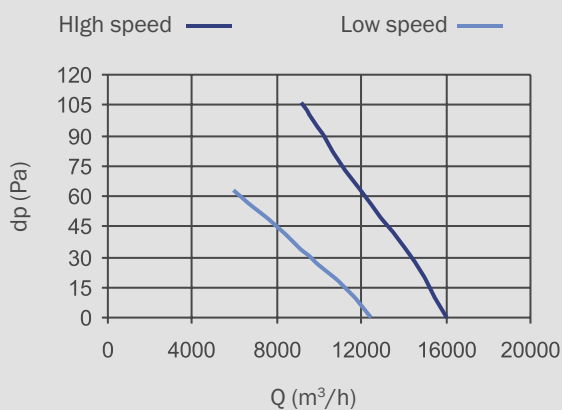
**Notes:**

Fan characteristic measured in full bell mouth with guard grill



**Diameter:** 710 mm

### Aerodynamic characteristic:



### Performance Data:

3~400V D/Y 50Hz  
 $P_1 = 0,99 / 0,65\text{kW}$   
 $n = 870 / 620\text{min}^{-1}$   
 $I = 1,9 / 1,2\text{A}$   
 $t_R = 60^\circ\text{C}$   
 $L_{wa} = 78 / 74\text{dB(A)}$   
 Connection: terminal box  
 Ins.Cl. F  
 IP54

### Notes:

Fan characteristic measured in full bell mouth with guard grill

R18\_-7130H\_-6T2-7502

### Fan with wall plate

#### Airflow

#### Direction

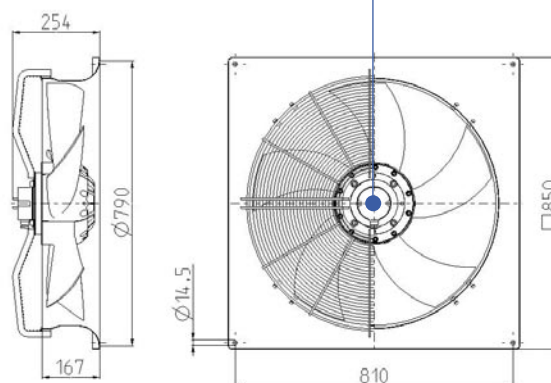
»S«

#### Type:

R18P-7130HA-6T2-7502

#### Code:

0318-4-0003



#### Weight:

34,9 kg

### Fan with guard grill

#### Airflow

#### Direction

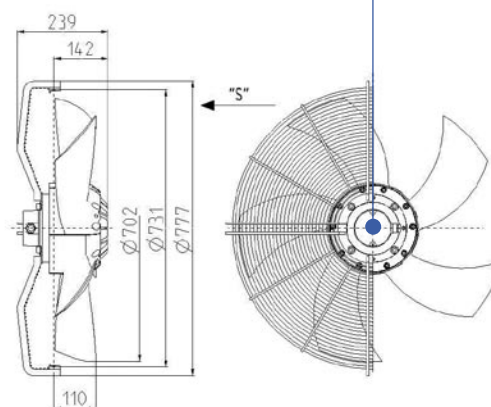
»S«

#### Type:

R18R-7130HA-6T2-7502

#### Code:

0318-4-0007



#### Weight:

27,2 kg

### Fan without guard grill

#### Airflow

#### Direction

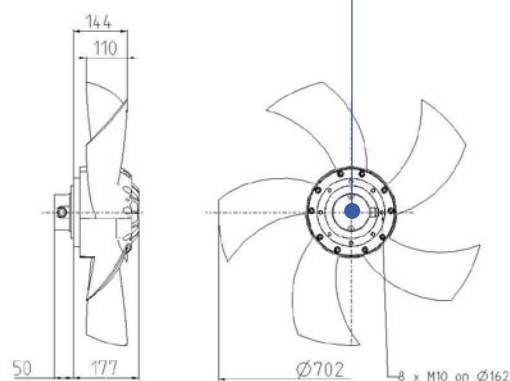
»S«

#### Type:

R18E-7130HA-6T2-7502

#### Code:

0318-4-0016



#### Weight:

22 kg

**Fan with wall plate**

**Airflow**

**Direction**

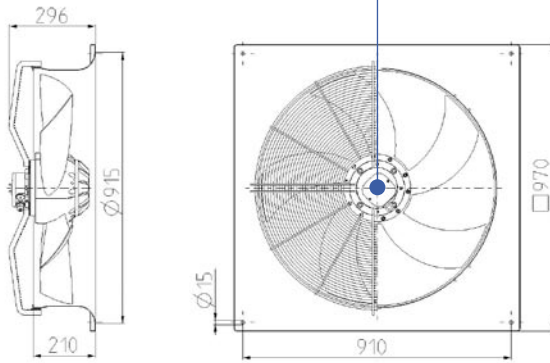
»S«

**Type:**

R18P-8030HA-6T2-X004

**Code:**

0318-4-0028



**Weight:**  
45,7 kg

R18\_-8030H\_-6T2-X004



**Diameter:** 800 mm

**Fan with guard grill**

**Airflow**

**Direction**

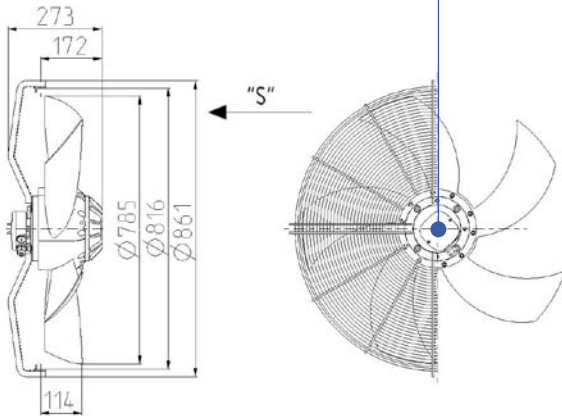
»S«

**Type:**

R18R-8030HA-6T2-X004

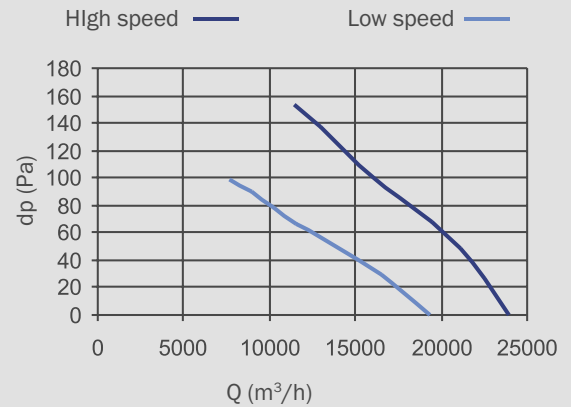
**Code:**

0318-4-0026



**Weight:**  
32,8 kg

**Aerodynamic characteristic:**



**Fan without guard grill**

**Airflow**

**Direction**

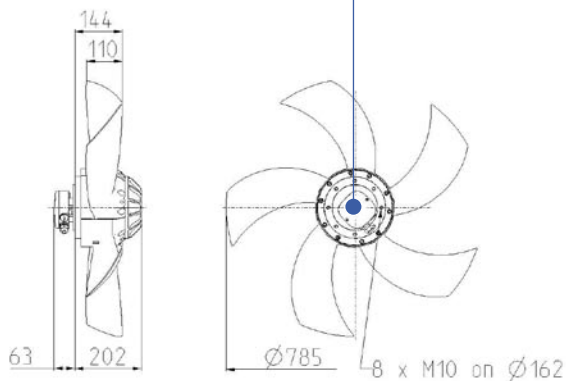
»S«

**Type:**

R18E-8030HA-6T2-X004

**Code:**

0318-4-0029



**Weight:**  
27 kg

**Performance Data:**

3~400V D/Y 50Hz

$P_1 = 1,56 / 1,05\text{kW}$

$n = 900 / 700\text{min}^{-1}$

$I = 3,5 / 2,0\text{A}$

$t_R = 60^\circ\text{C}$

$L_{wa} = 82 / 77\text{dB(A)}$

Connection: terminal box

Ins.Cl. F

IP54

**Notes:**

Fan characteristic measured in full bell mouth with guard grill



Diameter: 800 mm

R18\_-8030H\_-6T2-X001

**Fan with wall plate**

**Airflow**

**Direction**

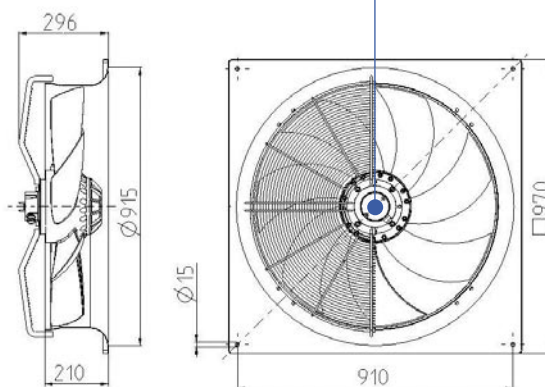
»S«

**Type:**

R18P-8030HA-6T2-X001

**Code:**

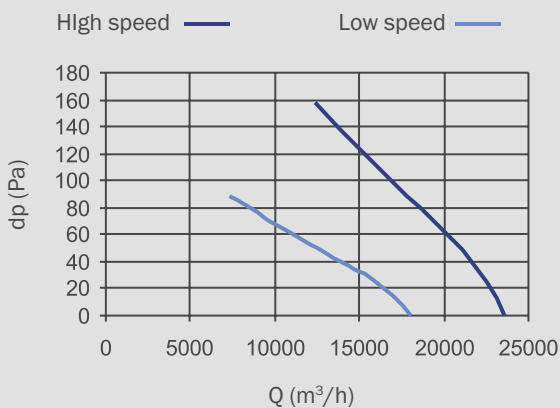
0318-4-0001



**Weight:**

47,7 kg

**Aerodynamic characteristic:**



**Performance Data:**

3~400V D/Y 50Hz

P<sub>1</sub> = 2,0 / 1,05kW

n = 890 / 630min<sup>-1</sup>

I = 4,0 / 2,3A

t<sub>R</sub> = 50 °C

Lwa = 81 / 75dB(A)

Connection: terminal box

Ins.Cl. F

IP54

**Notes:**

Fan characteristic measured in full bell mouth with guard grill

**Fan with guard grill**

**Airflow**

**Direction**

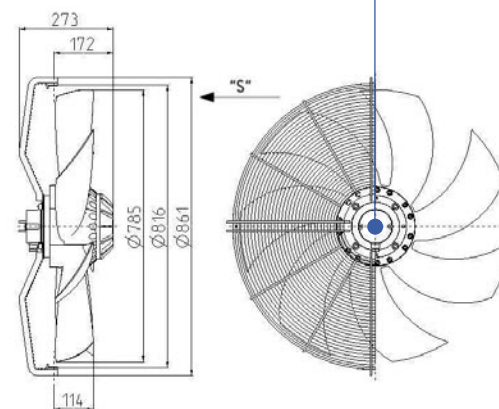
»S«

**Type:**

R18R-8030HA-6T2-X001

**Code:**

0318-4-0005



**Weight:**

34,8 kg

**Fan without guard grill**

**Airflow**

**Direction**

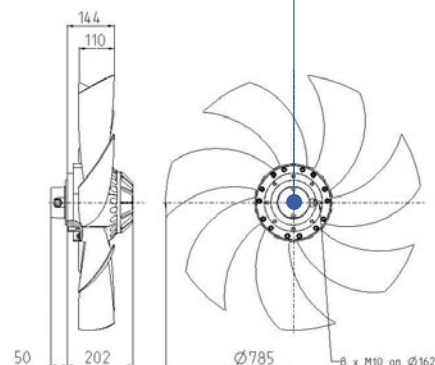
»S«

**Type:**

R18E-8030HA-6T2-X001

**Code:**

0318-4-0009



**Weight:**

29 kg

**Fan with wall plate****Airflow****Direction**

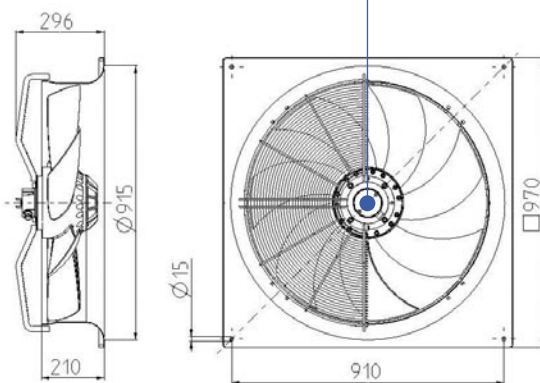
»S«

**Type:**

R18P-8030HA-8T2-X000

**Code:**

0318-4-0000

**Weight:**

47,7 kg

R18\_-8030H\_-8T2-X000

**Diameter:** 800 mm**Fan with guard grill****Airflow****Direction**

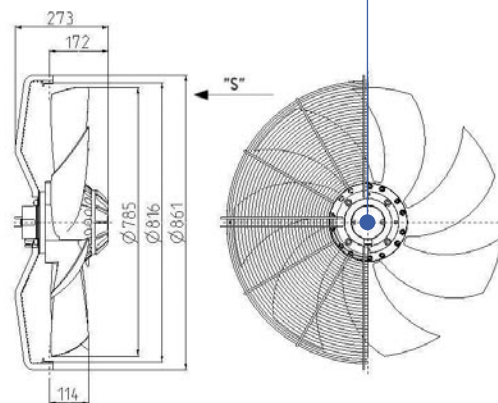
»S«

**Type:**

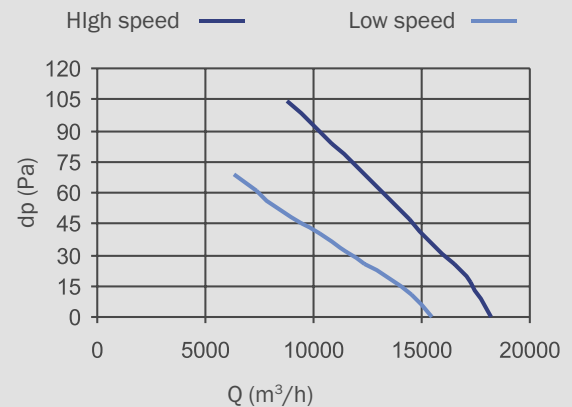
R18R-8030HA-8T2-X000

**Code:**

0318-4-0004

**Weight:**

34,8 kg

**Aerodynamic characteristic:****Fan without guard grill****Airflow****Direction**

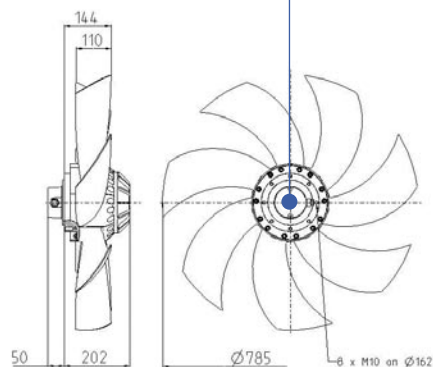
»S«

**Type:**

R18E-8030HA-8T2-X000

**Code:**

0318-4-0008

**Weight:**

29 kg

**Performance Data:**

3~400V D/Y 50Hz

 $P_1 = 0,92 / 0,60\text{kW}$  $n = 680 / 560\text{min}^{-1}$  $I = 2,3 / 1,15\text{A}$  $t_R = 60^\circ\text{C}$  $L_{wa} = 77 / 69,5\text{dB(A)}$ 

Connection: terminal box

Ins.Cl. F

IP54

**Notes:**

Fan characteristic measured in full bell mouth with guard grill



**Diameter:** 800 mm

R18\_-8030H\_-12T2-7505

### Fan with wall plate

**Airflow**

**Direction**

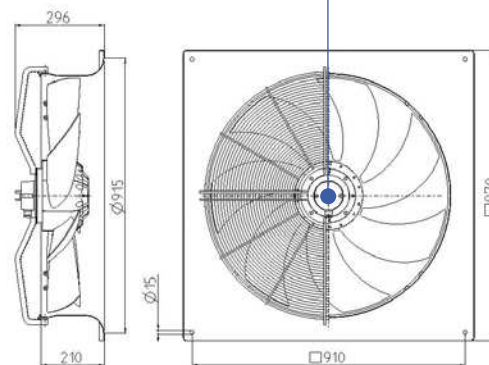
»S«

**Type:**

R18P-8030HA-12T2-7505

**Code:**

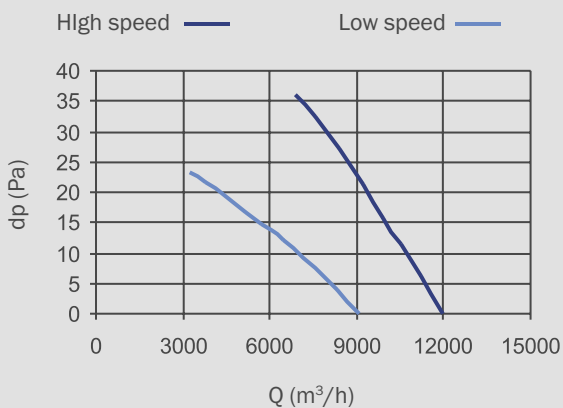
0318-4-0032



**Weight:**

47,7 kg

### Aerodynamic characteristic:



### Performance Data:

3~400V D/Y 50Hz

$P_1 = 370 / 170W$

$n = 450 / 320min^{-1}$

$I = 1,2 / 0,5A$

$t_R = 70^{\circ}C$

$Lwa = 66 / 58dB(A)$

Connection: terminal box

Ins.Cl. F

IP54

### Notes:

Fan characteristic measured in full bell mouth with guard grill

### Fan with guard grill

**Airflow**

**Direction**

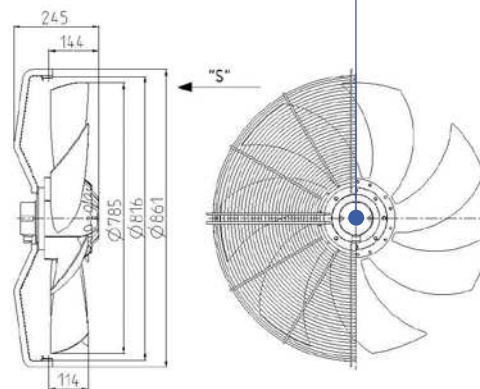
»S«

**Type:**

R18R-8030HA-12T2-7505

**Code:**

0318-4-0017



**Weight:**

34,8 kg

### Fan without guard grill

**Airflow**

**Direction**

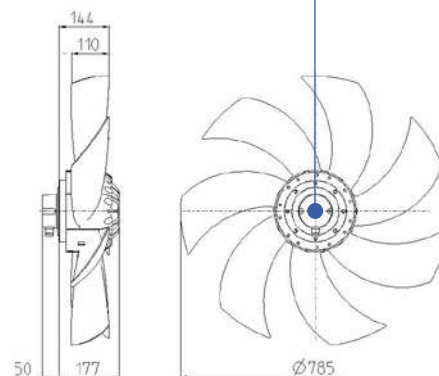
»S«

**Type:**

R18E-8030HA-12T2-7505

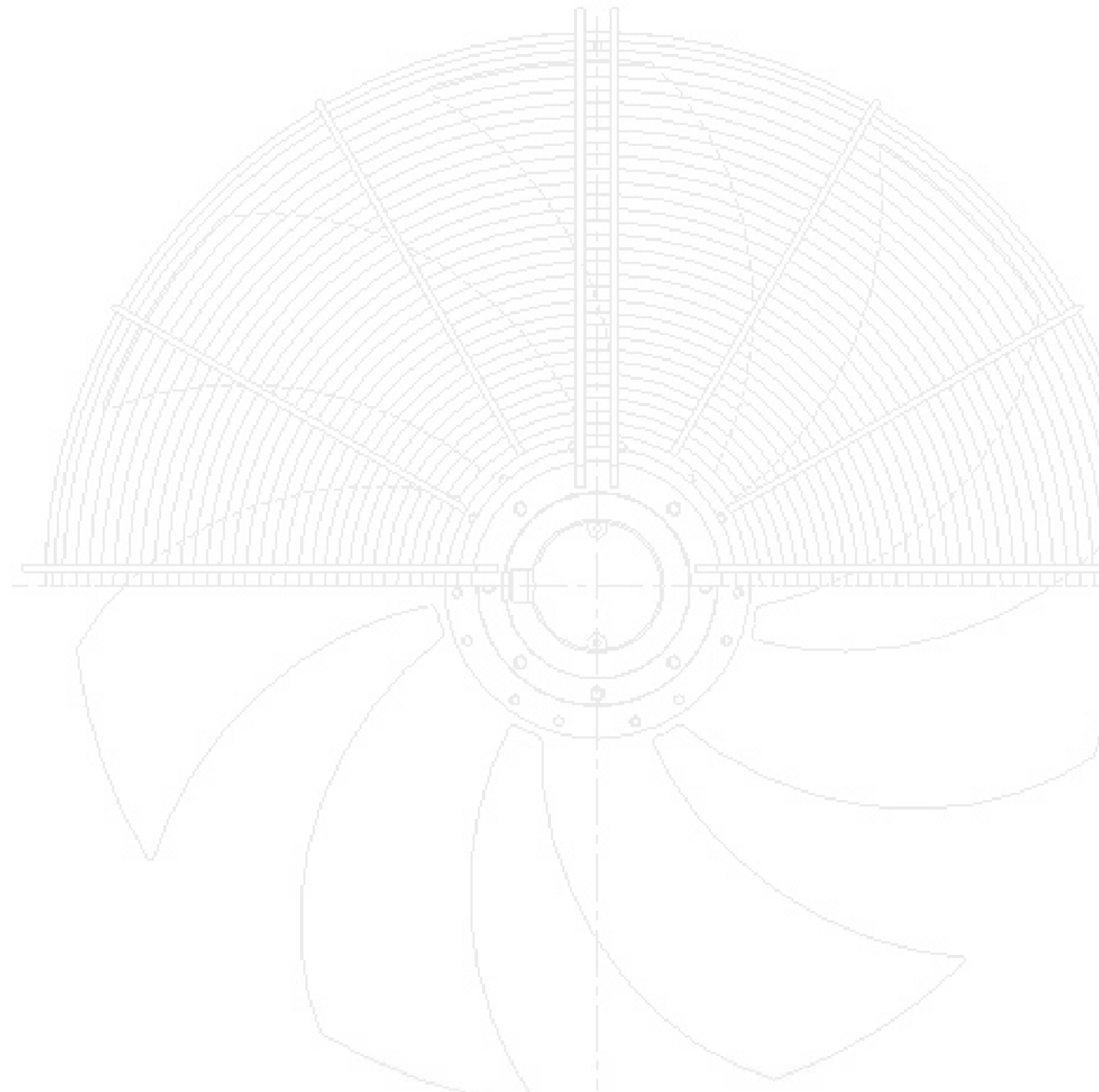
**Code:**

0318-4-0033



**Weight:**

29 kg



**HEF Axial Fans**

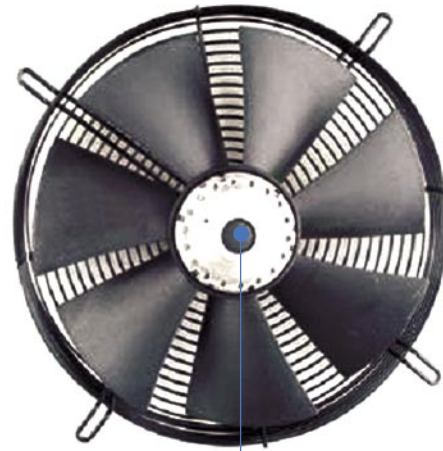




### **Example of type key for Axial fans with plastic blades**

#### **R11R-40LPS-4M2-3806**

- R11** External rotor motor type (R09, R11, R13, R18)
- R** Accessory type (E-without guard grill, R-with guard grill, P-with guard grill and wall plate)
- 40** Fan diameter x 10 (exact diameters are stated in drawings)
- LP** Type of plastic blades (LP, EP, KP)
- S** Airflow direction (S/A - sucking, B/P - blowing)
- 4** Number of poles
- M** Number of phases (M-single phase, T-three phase)
- 2** Number of speeds
- 38** Motor stack height
- 06** Electrical design

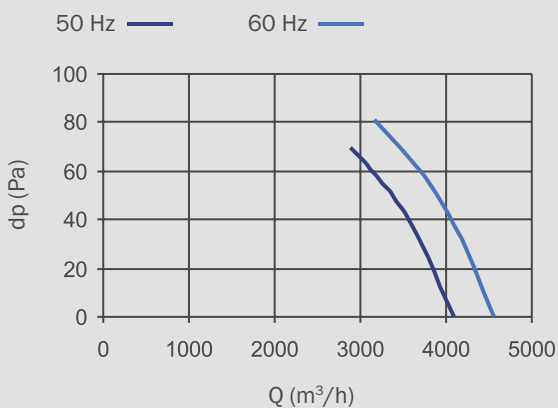


**Axial Fans With Plastic Blades**



**Diameter:** 400 mm

**Aerodynamic characteristic:**



**Performance Data:**

1~230V 50/60Hz  
 P1 = 190/260W  
 n = 1310/1450min<sup>-1</sup>  
 I = 0,85/1,10A  
 t<sub>R</sub> = 60 °C  
 Lwa = 73/76dB(A)  
 C = 6,3uF / 450V  
 Connection: terminal box  
 Ins.Cl. F  
 IP44

**Notes:**

Fan characteristic measured in short bell mouth with guard grill

R11\_-40LP\_-4M-5150

**Fan with wall plate**

**Airflow**

**Direction**

»S«

»B«

**Type:**

R11P-40LPS-4M-5150

R11P-40LPB-4M-5150

Available on request

**Fan with guard grill**

**Airflow**

**Direction**

»S«

»B«

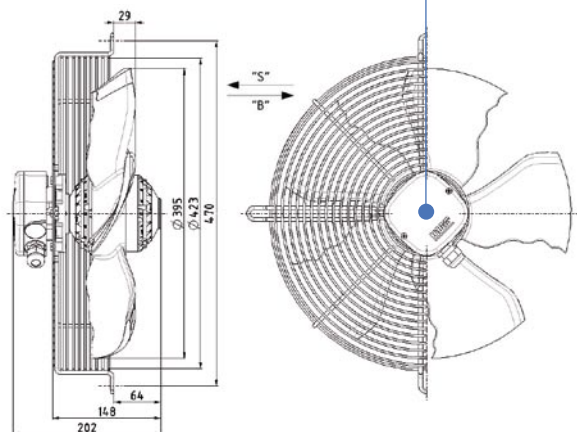
**Type:**

R11R-40LPS-4M-5150

R11R-40LPB-4M-5150

**Code:**

0311-4-0313



**Weight:**  
6 kg

**Fan without guard grill**

**Airflow**

**Direction**

»S«

»B«

**Type:**

R11E-40LPS-4M-5150

R11E-40LPB-4M-5150

Available on request

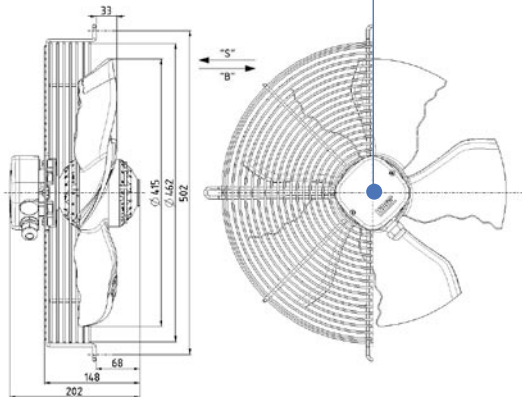
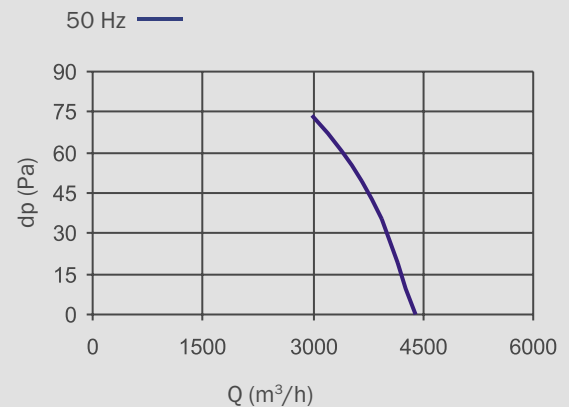
**Fan with wall plate****Airflow****Direction**»S«  
»B«**Type:**R11P-42LPS-4M-5150  
R11P-42LPB-4M-5150

Available on request

R11\_-42LP\_-4M-5150

**Diameter:** 420 mm**Fan with guard grill****Airflow****Direction**»S«  
»B«**Type:**R11R-42LPS-4M-5150  
R11R-42LPB-4M-5150**Code:**

0311-4-0312

**Weight:**  
6,1 kg**Aerodynamic characteristic:****Fan without guard grill****Airflow****Direction**»S«  
»B«**Type:**R11E-42LPS-4M-5150  
R11E-42LPB-4M-5150

Available on request

**Performance Data:**

1~230V 50Hz

P1 = 220W

n = 1280min<sup>-1</sup>

I = 1,0A

t<sub>R</sub> = 60 °C

Lwa = 76dB(A)

C = 6,3uF / 450V

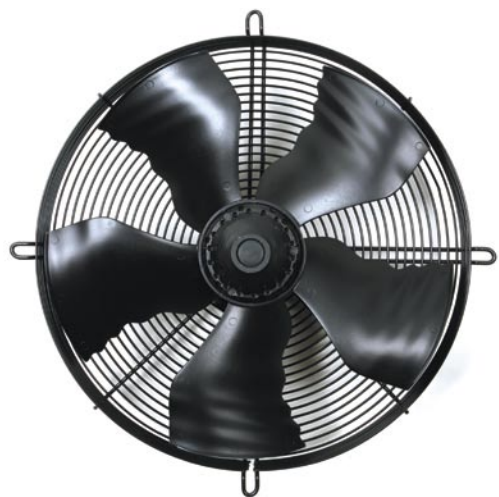
Connection: terminal box

Ins.Cl. F

IP44

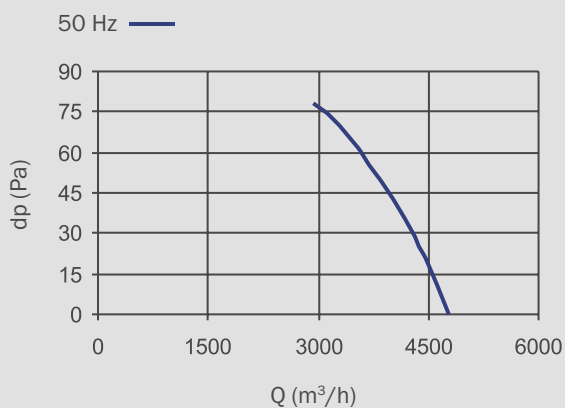
**Notes:**

Fan characteristic measured in short bell mouth with guard grill



**Diameter:** 450 mm

**Aerodynamic characteristic:**



**Performance Data:**

1~230V 50Hz  
 $P_1 = 240W$   
 $n = 1230min^{-1}$   
 $I = 1,1A$   
 $t_R = 50^\circ C$   
 $L_{wa} = 78dB(A)$   
 $C = 6,3\mu F / 450V$   
 Connection: terminal box  
 Ins.Cl. F  
 IP44

**Notes:**

Fan characteristic measured in short bell mouth with guard grill

R11\_-45LP\_-4M-5150

**Fan with wall plate**

**Airflow**

**Direction**

»S«  
»B«

**Type:**

R11P-45LPS-4M-5150  
R11P-45LPB-4M-5150

Available on request

**Fan with guard grill**

**Airflow**

**Direction**

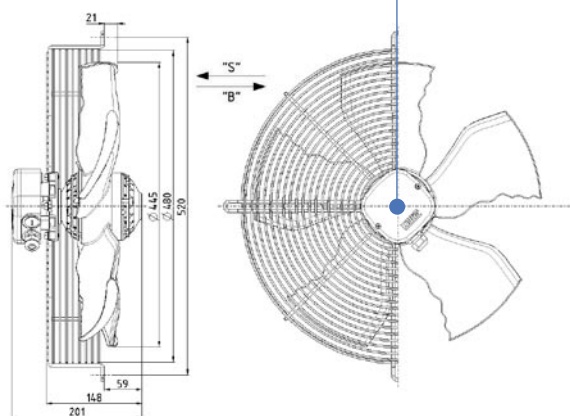
»S«  
»B«

**Type:**

R11R-45LPS-4M-5150  
R11R-45LPB-4M-5150

**Code:**

0313-4-0314



**Weight:**  
6,4 kg

**Fan without guard grill**

**Airflow**

**Direction**

»S«  
»B«

**Type:**

R11E-45LPS-4M-5150  
R11E-45LPB-4M-5150

Available on request

**Fan with wall plate****Airflow****Direction****Type:**

»S«

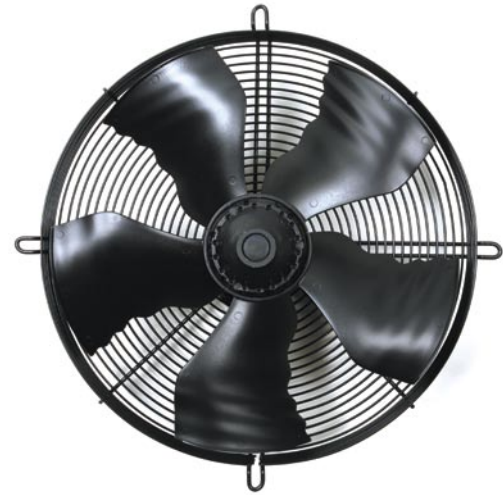
R11P-45LPS-6M-5105

»B«

R11P-45LPB-6M-5105

Available on request

R11\_-45LP\_-6M-5105

**Diameter:** 450 mm**Fan with guard grill****Airflow****Direction****Type:**

»S«

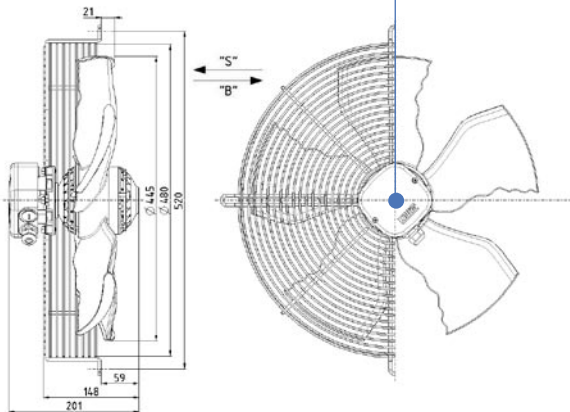
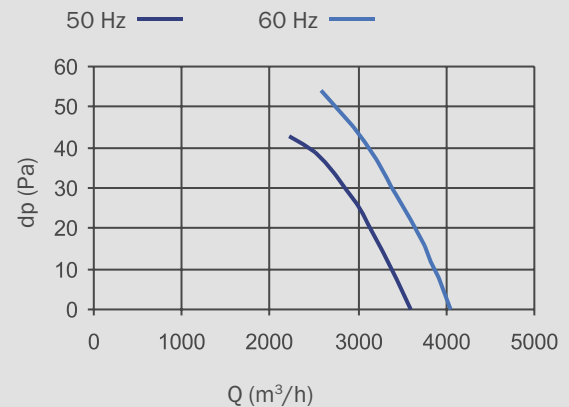
R11R-45LPS-6M-5105

»B«

R11R-45LPB-6M-5105

**Code:**

0311-4-0300

**Weight:**  
6,4 kg**Aerodynamic characteristic:****Fan without guard grill****Airflow****Direction****Type:**

»S«

R11E-45LPS-6M-5105

»B«

R11E-45LPB-6M-5105

Available on request

**Performance Data:**

1~230V 50/60Hz

 $P_1 = 125/165W$  $n = 900/1020min^{-1}$  $I = 0,55/0,70A$  $t_R = 50^\circ C$  $L_{wa} = 67 / 70 dB(A)$  $C = 5\mu F / 450V$ 

Connection: terminal box

Ins.Cl. F

IP44

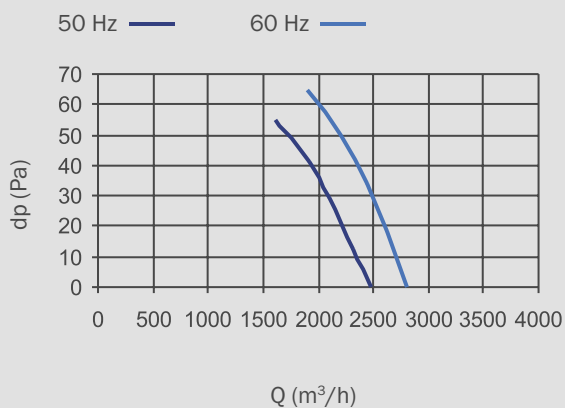
**Notes:**

Fan characteristic measured in short bell mouth with guard grill



**Diameter:** 350 mm

**Aerodynamic characteristic:**



**Performance Data:**

1~230V 50/60Hz  
 $P_1 = 88 / 125W$   
 $n = 1380 / 1560\text{min}^{-1}$   
 $I = 0,39 / 0,56A$   
 $t_R = 55^\circ C$   
 $L_{wa} = 65 / 69\text{dB(A)}$   
 $C = 4\mu F / 450V$   
 Connection: terminal box  
 Ins.Cl. F  
 IP54

**Notes:**

Fan characteristic measured in short bell mouth with guard grill

R11\_-35KP\_-4M-3808

**Fan with wall plate**

**Airflow**

**Direction**

»S«

»B«

**Type:**

R11P-35KPA-4M-3808

R11P-35KPP-4M-3808

Available on request

**Fan with guard grill**

**Airflow**

**Direction**

»S«

»B«

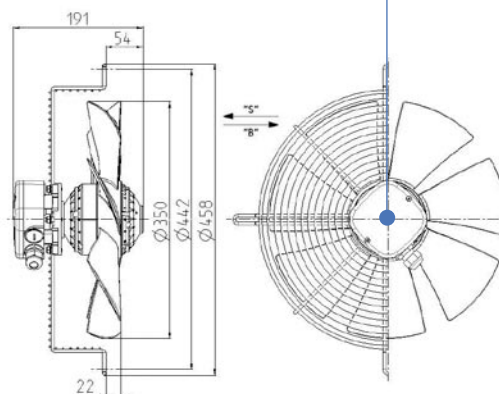
**Type:**

R11R-35KPA-4M-3808

R11R-35KPP-4M-3808

**Code:**

0311-4-0243



**Weight:**  
5,5 kg

**Fan without guard grill**

**Airflow**

**Direction**

»S«

»B«

**Type:**

R11E-35KPA-4M-3808

R11E-35KPP-4M-3808

Available on request

**Fan with wall plate****Airflow****Direction**

- »S«  
»B«

**Type:**

R11P-40EPA-6M-3806  
R11P-40EPP-6M-3806

Available on request

R11\_-40EPA-6M-3806



**Diameter:** 400 mm

**Fan with guard grill****Airflow****Direction**

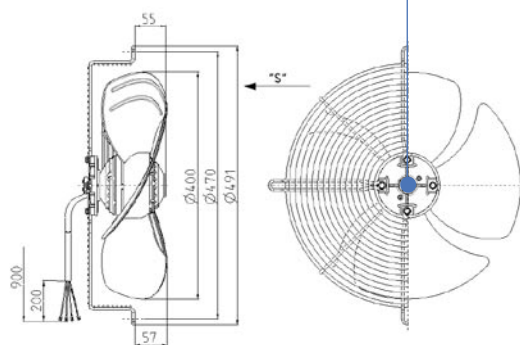
- »S«  
»B«

**Type:**

R11R-40EPA-6M-3806  
R11R-40EPP-6M-3806

**Code:**

0311-4-0108



**Weight:**  
5,7 kg

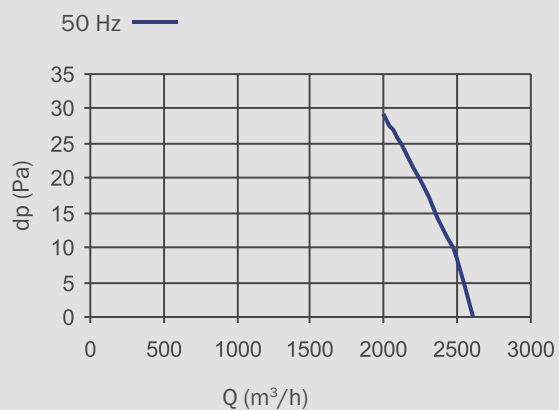
**Fan without guard grill****Airflow****Direction**

- »S«  
»B«

**Type:**

R11E-40EPA-6M-3806  
R11E-40EPP-6M-3806

Available on request

**Aerodynamic characteristic:****Performance Data:**

1~230V 50Hz  
 $P_1 = 77W$   
 $n = 895\text{min}^{-1}$   
 $I = 0,33A$   
 $t_R = 50^\circ\text{C}$   
 $L_{wa} = 64\text{dB(A)}$   
 $C = 3,15\mu\text{F} / 450V$   
 Connection: cable  
 Ins.Cl. F  
 IP44

**Notes:**

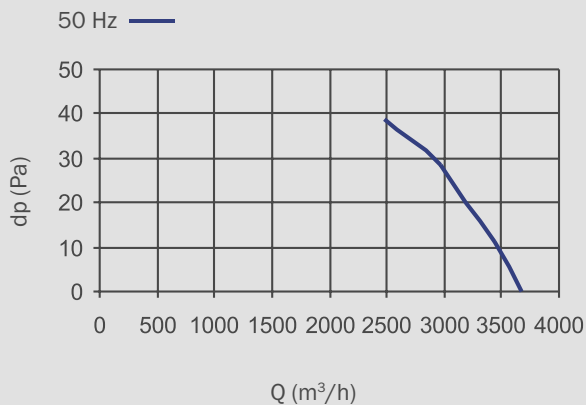
Fan characteristic measured in short bell mouth with guard grill





**Diameter:** 450 mm

#### Aerodynamic characteristic:



#### Performance Data:

1~230V 50Hz  
 $P_1 = 125W$   
 $n = 850\text{min}^{-1}$   
 $I = 0,54A$   
 $t_R = 50^\circ C$   
 $L_{wa} = 68\text{dB(A)}$   
 $C = 5\mu F / 450V$   
 Connection: cable  
 Ins.Cl. F  
 IP44

#### Notes:

Fan characteristic measured in short bell mouth with guard grill

R11\_-45EPA-6M-5105

#### Fan with wall plate

##### Airflow

##### Direction

»S«

»B«

##### Type:

R11P-45EPA-6M-5105

R11P-45EPP-6M-5105

Available on request

#### Fan with guard grill

##### Airflow

##### Direction

»S«

»B«

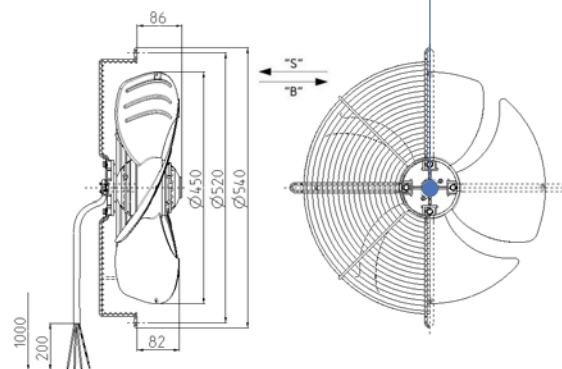
##### Type:

R11R-45EPA-6M-5105

R11R-45EPP-6M-5105

##### Code:

0311-4-0111



**Weight:**  
6,2 kg

#### Fan without guard grill

##### Airflow

##### Direction

»S«

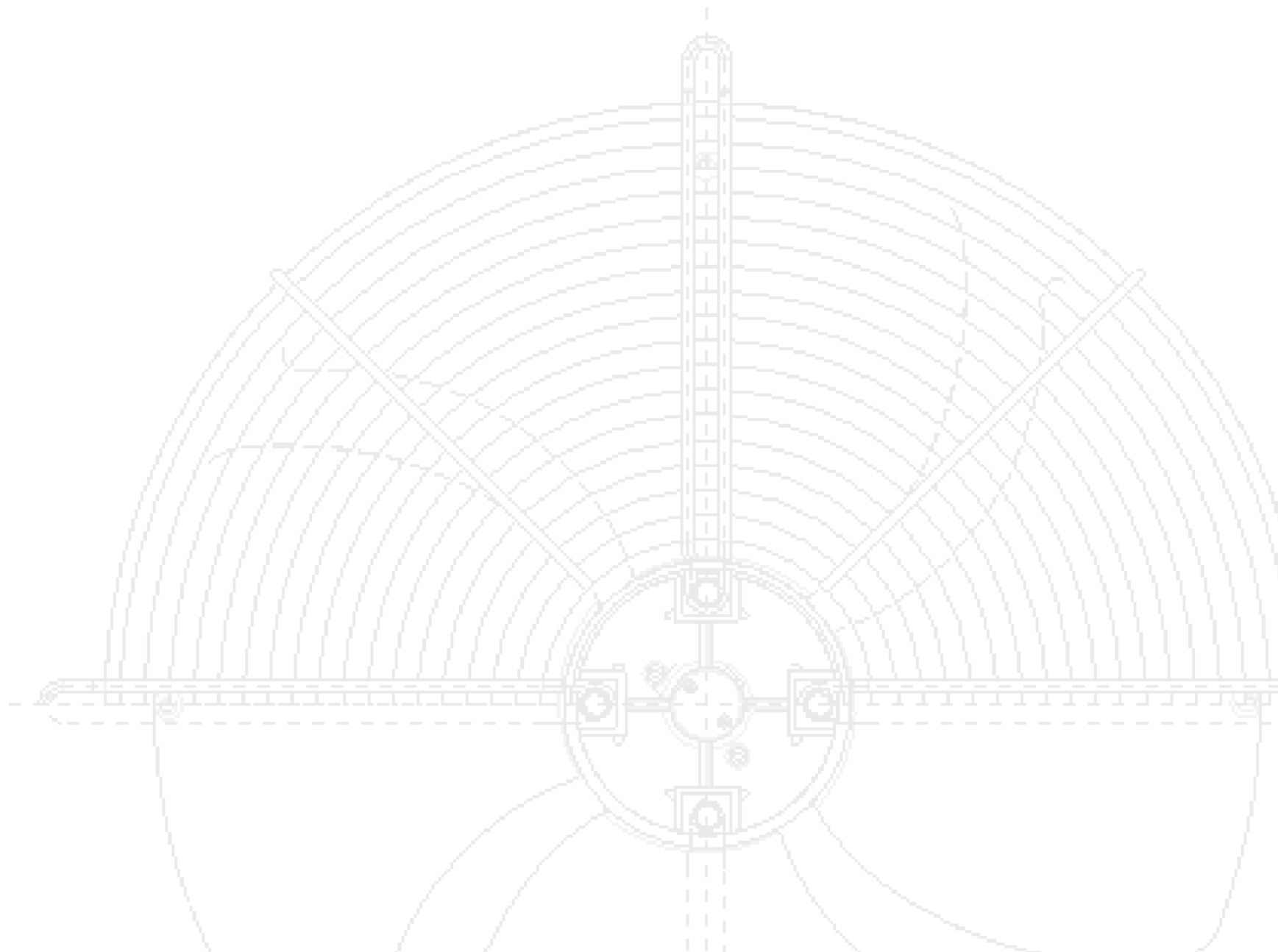
»B«

##### Type:

R11E-45EPA-6M-5105

R11E-45EPP-6M-5105

Available on request

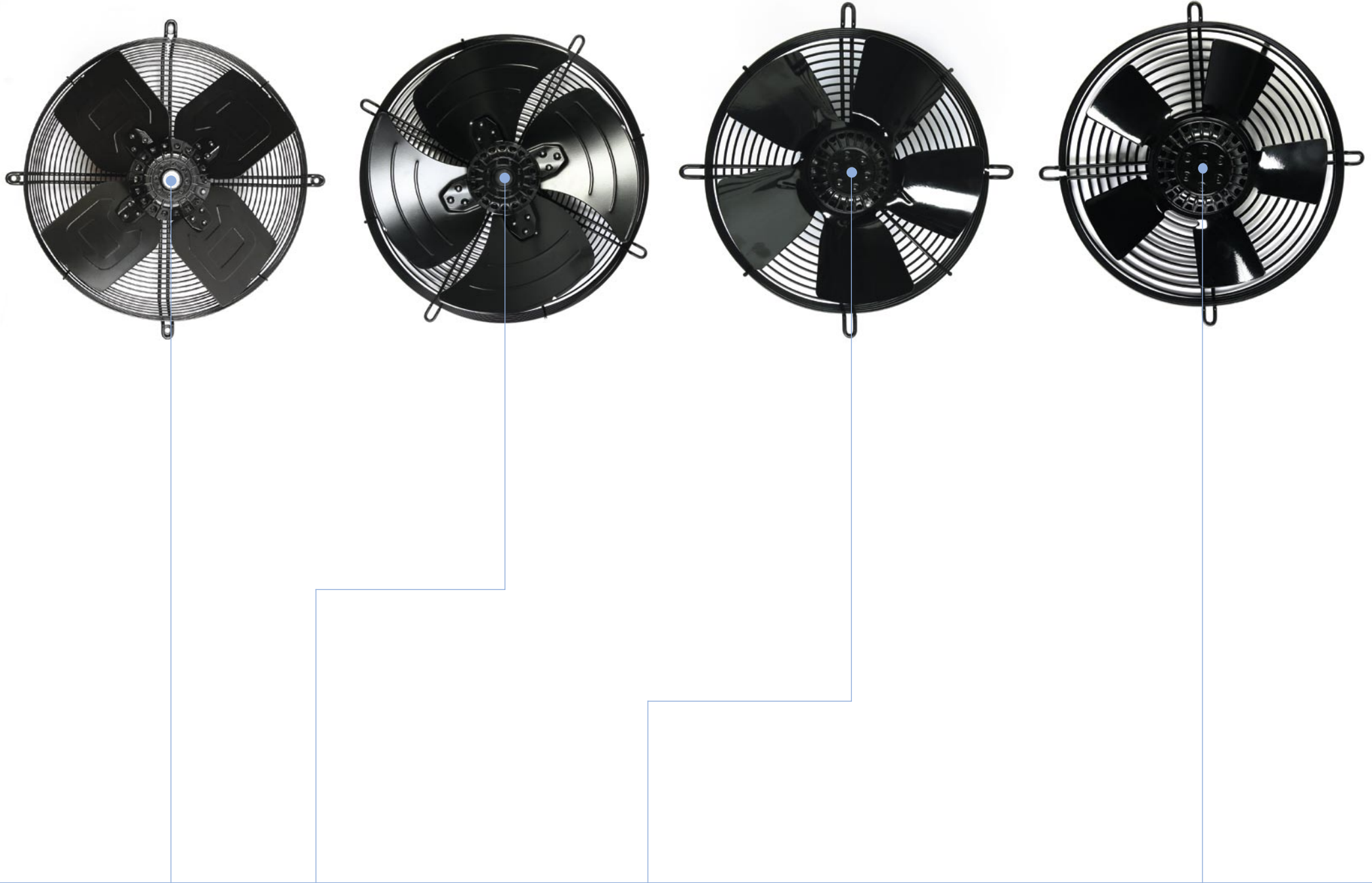


# Axial Fans With Plastic Blades

### Type key for Axial fans (example)

#### **R09R-3532A-4T2-4200**

- R09** External rotor motor type (R09, R11, R13, R18)
- R** Accessory type (E-without guard grill, R-with guard grill, P-with guard grill and wall plate)
- 35** Fan diameter x 10 (exact diameters are stated in drawings)
- 32** Blade angle
- A** Airflow direction (A-sucking, P-blowing)
- 4** Number of poles
- T** Number of phases (M-single phase, T-three phase)
- 2** Number of speeds
- 42** Motor stack height
- 00** Electrical design



# Axial Fans



**Diameter:** 200 mm

R09\_-2025\_-2M-1511

### Fan with wall plate

#### Airflow

#### Direction Type:

»S«

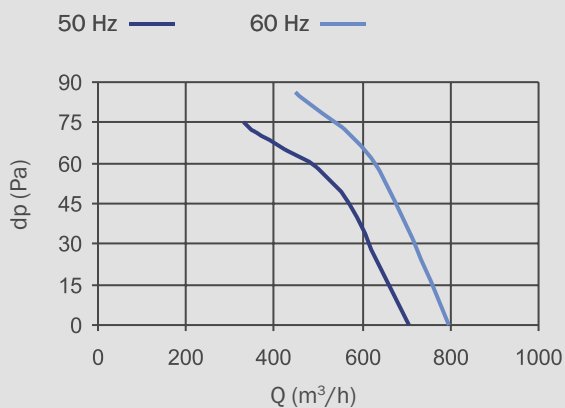
R09P-2025A-2M-1511

»B«

R09P-2025P-2M-1511

Available on request

### Aerodynamic characteristic:



### Performance Data:

1~230V 50/60Hz

$P_1 = 45 / 55W$

$n = 2580 / 2850\text{min}^{-1}$

$I = 0,21 / 0,24A$

$t_R = 70^\circ C$

$L_{wa} = 65,7 / 69\text{dB(A)}$

$C = 1,5\mu F / 450V$

Connection: cable

Ins.Cl. F

IP44

### Notes:

Fan characteristic measured in full bell mouth with guard grill

### Fan with guard grill

#### Airflow

#### Direction Type:

»S«

R09R-2025A-2M-1511

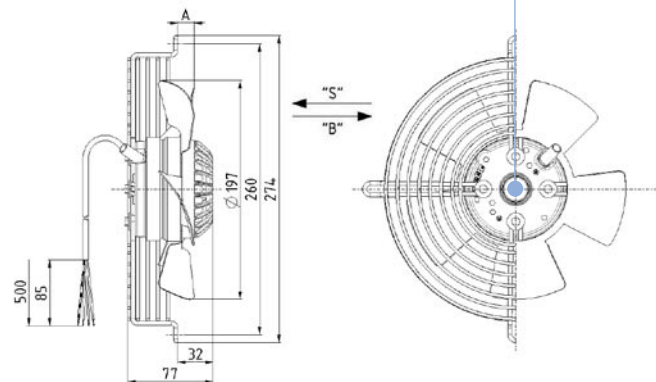
»B«

R09R-2025P-2M-1511

#### Code:

0309-4-0190

0309-4-0214



»S« Dimension A = 13 mm

»B« Dimension A = 47 mm

#### Weight:

1,6 kg

### Fan without guard grill

#### Airflow

#### Direction Type:

»S«

R09E-2025A-2M-1511

»B«

R09E-2025P-2M-1511

Available on request

**Fan with wall plate****Airflow****Direction****Type:**

- »S« R09P-2025A-4M-2516  
 »B« R09P-2025P-4M-2516

Available on request

R09\_-2025\_-4M-2516



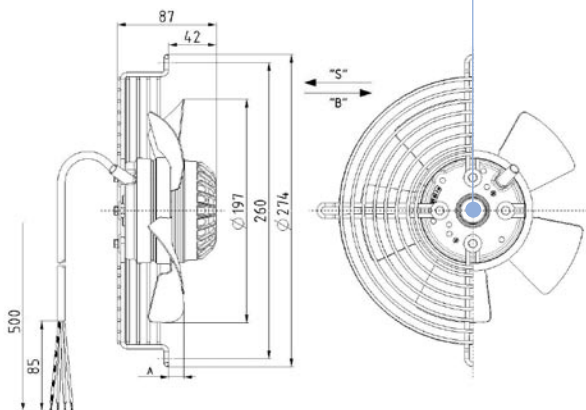
**Diameter:** 200 mm

**Fan with guard grill****Airflow****Direction****Type:**

- »S« R09R-2025A-4M-2516  
 »B« R09R-2025P-4M-2516

**Code:**

- 0309-4-0213  
 0309-4-0215



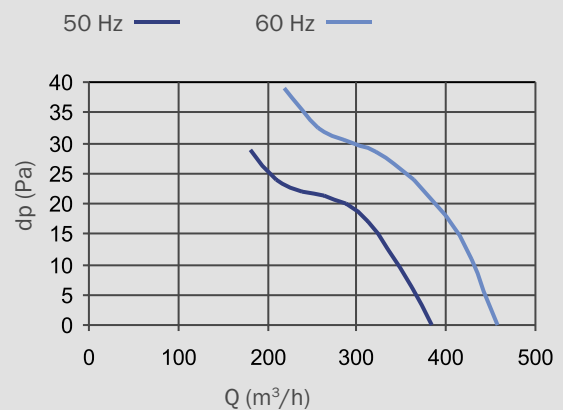
- »S« Dimension A = 13 mm  
 »B« Dimension A = 47 mm

**Weight:**  
 1,9 kg

**Fan without guard grill****Airflow****Direction****Type:**

- »S« R09E-2025A-4M-2516  
 »B« R09E-2025P-4M-2516

Available on request

**Aerodynamic characteristic:****Performance Data:**

1~230V 50/60Hz  
 $P_1 = 30 / 38W$   
 $n = 1430 / 1680\text{min}^{-1}$   
 $I = 0,14 / 0,17A$   
 $t_R = 65^\circ C$   
 $Lwa = 52 / 54\text{dB}(A)$   
 $C = 1,5\mu F / 450V$   
 Connection: cable  
 Ins.Cl. F  
 IP44

**Notes:**

Fan characteristic measured in full bell mouth with guard grill



**Diameter:** 250 mm

R09\_-2525P-2M-3510

#### Fan with wall plate

##### Airflow

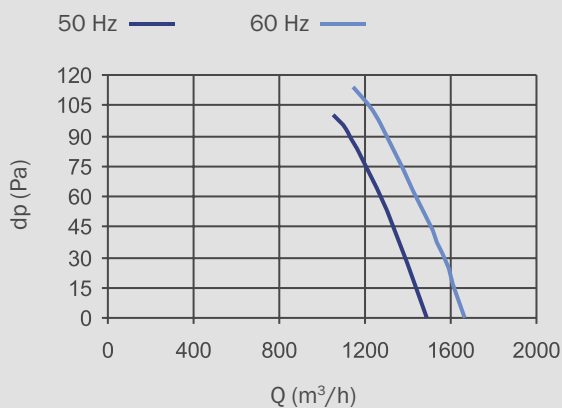
##### Direction Type:

»S« R09P-2525A-2M-3510

»B« R09P-2525P-2M-3510

Available on request

#### Aerodynamic characteristic:



#### Performance Data:

1~230V 50/60Hz

$P_1 = 95 / 130W$

$n = 2700 / 2950min^{-1}$

$I = 0,44 / 0,58A$

$t_R = 50^\circ C$

$Lwa = 71,5 / 73dB(A)$

$C = 4\mu F / 450V$

Connection: cable

Ins.Cl. F

IP44

#### Notes:

Fan characteristic measured in full bell mouth with guard grill

#### Fan with guard grill

##### Airflow

##### Direction Type:

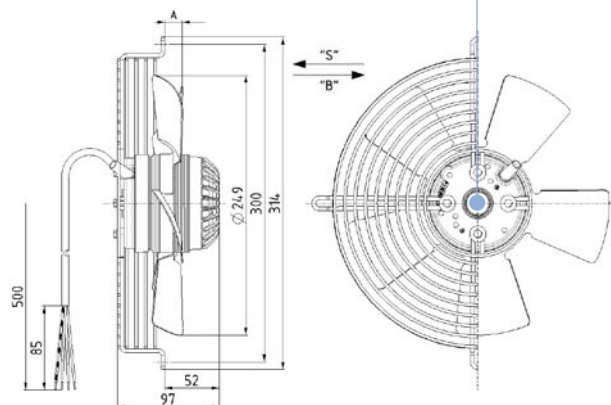
»S« R09R-2525A-2M-3510

»B« R09R-2525P-2M-3510

##### Code:

0309-4-0198

0309-4-0216



»S« Dimension A = 12 mm

»B« Dimension A = 48 mm

##### Weight:

2,5 kg

#### Fan without guard grill

##### Airflow

##### Direction Type:

»S« R09E-2525A-2M-3510

»B« R09E-2525P-2M-3510

Available on request

**Fan with wall plate****Airflow****Direction****Type:**

- »S« R09P-2525A-4M-2516  
 »B« R09P-2525P-4M-2516

Available on request

R09\_-2525\_-4M-2516



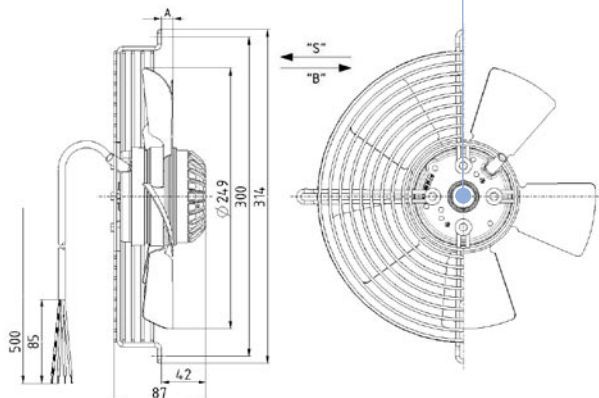
**Diameter:** 250 mm

**Fan with guard grill****Airflow****Direction****Type:**

- »S« R09R-2525A-4M-2516  
 »B« R09P-2525P-4M-2516

**Code:**

- 0309-4-0199  
 0309-4-0217



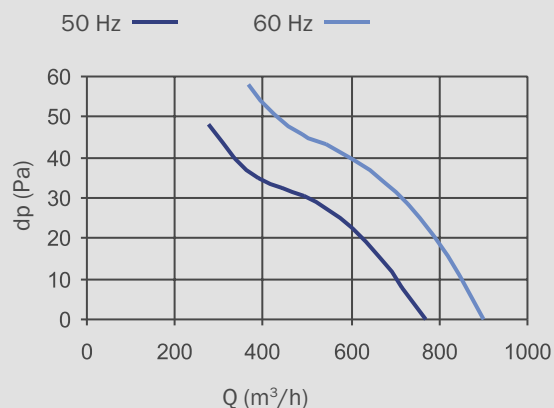
- »S« Dimension A = 12 mm  
 »B« Dimension A = 48 mm

**Weight:**  
 2,1 kg

**Fan without guard grill****Airflow****Direction****Type:**

- »S« R09E-2525A-4M-2516  
 »B« R09E-2525P-4M-2516

Available on request

**Aerodynamic characteristic:****Performance Data:**

1~230V 50/60Hz  
 $P_1 = 35 / 44W$   
 $n = 1430 / 1680\text{min}^{-1}$   
 $I = 0,16 / 0,18A$   
 $t_R = 70^\circ C$   
 $Lwa = 58,5 / 61\text{dB(A)}$   
 $C = 1,5\mu F / 450V$   
 Connection: cable  
 Ins.Cl. F  
 IP44

**Notes:**

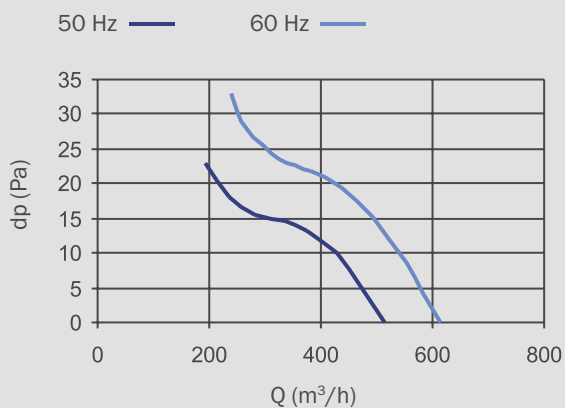
Fan characteristic measured in full bell mouth with guard grill





**Diameter:** 250 mm

#### Aerodynamic characteristic:



#### Performance Data:

1~230V 50/60Hz  
 $P_1 = 36 / 41W$   
 $n = 980 / 1160\text{min}^{-1}$   
 $I = 0,16 / 0,18A$   
 $t_R = 55^\circ C$   
 $L_{wa} = 43,7 / 45\text{dB(A)}$   
 $C = 1,5\mu F / 450V$   
 Connection: cable  
 Ins.Cl. F  
 IP44

#### Notes:

Fan characteristic measured in full bell mouth with guard grill

R09\_-2525\_-6M-2515

#### Fan with wall plate

##### Airflow

##### Direction Type:

»S«

R09P-2525A-6M-2515

»B«

R09P-2525P-6M-2515

Available on request

#### Fan with guard grill

##### Airflow

##### Direction Type:

»S«

R09R-2525A-6M-2515

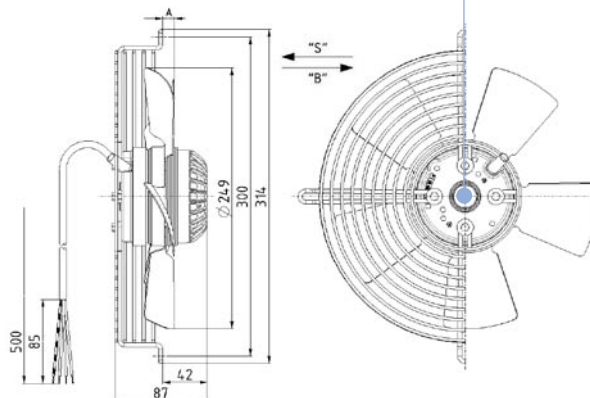
»B«

R09R-2525P-6M-2515

##### Code:

0309-4-0191

0309-4-0218



»S« Dimension A = 12 mm

»B« Dimension A = 48 mm

##### Weight:

2,1 kg

#### Fan without guard grill

##### Airflow

##### Direction Type:

»S«

R09E-2525A-6M-2515

»B«

R09E-2525P-6M-2515

Available on request

**Fan with wall plate****Airflow****Direction****Type:**

»S«

R09P-2528A-4M-2516

»B«

R09P-2528P-4M-2516

Available on request

R09\_-2528\_-4M-2516

**Diameter:** 250 mm**Fan with guard grill****Airflow****Direction****Type:**

»S«

R09R-2528A-4M-2516

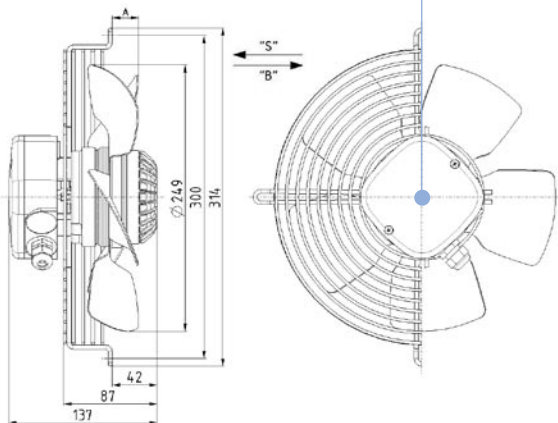
»B«

R09R-2528P-4M-2516

**Code:**

0309-4-0211

0309-4-0261



»S« Dimension A = 27 mm

»B« Dimension A = 27 mm

**Weight:**

3,4 kg

**Fan without guard grill****Airflow****Direction****Type:**

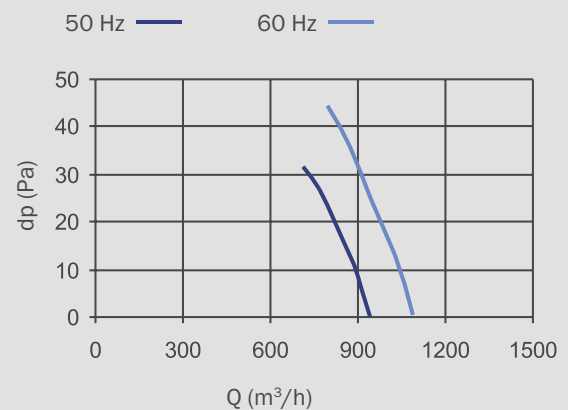
»S«

R09E-2528A-4M-2516

»B«

R09E-2528P-4M-2516

Available on request

**Aerodynamic characteristic:****Performance Data:**

1~230V 50/60Hz

 $P_1 = 40 / 52W$  $n = 1360 / 1550min^{-1}$  $I = 0,17 / 0,22A$  $t_R = 70^\circ C$  $Lwa = 60 / 62,5dB(A)$  $C = 1,5uF / 450V$ 

Connection: terminal box

Ins.Cl. F

IP54

**Notes:**

Fan characteristic measured in short bell mouth with guard grill



**Diameter:** 300 mm

R09\_-3028\_-4M-3509

#### Fan with wall plate

##### Airflow

##### Direction Type:

»S«

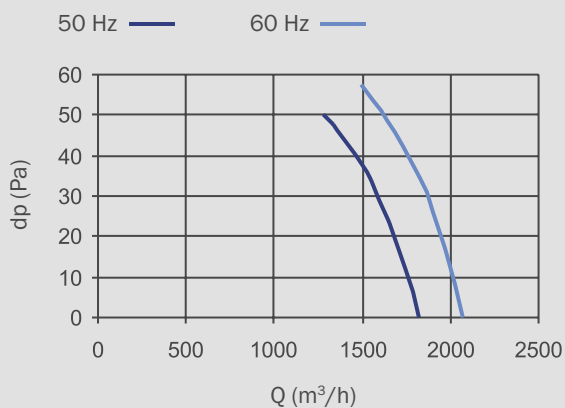
R09P-3028A-4M-3509

»B«

R09P-3028P-4M-3509

Available on request

#### Aerodynamic characteristic:



#### Performance Data:

1~230V 50/60Hz

$P_1 = 74 / 92W$

$n = 1330 / 1470\text{min}^{-1}$

$I = 0,34 / 0,40A$

$t_R = 50^\circ C$

$L_{wa} = 67 / 70\text{dB(A)}$

$C = 2,5\mu F / 450V$

Connection: terminal box

Ins.Cl. F

IP54

#### Notes:

Fan characteristic measured in short bell mouth with guard grill

#### Fan with guard grill

##### Airflow

##### Direction Type:

»S«

R09R-3028A-4M-3509

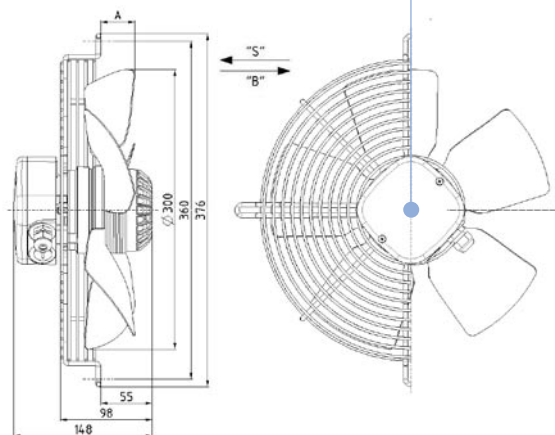
»B«

R09R-3028P-4M-3509

##### Code:

0309-4-0100

0309-4-0121



»S« Dimension A = 39 mm

»B« Dimension A = 39 mm

##### Weight:

3,4 kg

#### Fan without guard grill

##### Airflow

##### Direction Type:

»S«

R09E-3028A-4M-3509

»B«

R09E-3028P-4M-3509

Available on request

**Fan with wall plate****Airflow****Direction****Type:**

»S« R09P-3028A-4T-2513  
 »B« R09P-3028P-4T-2513

Available on request

R09\_-3028\_-4T-2513



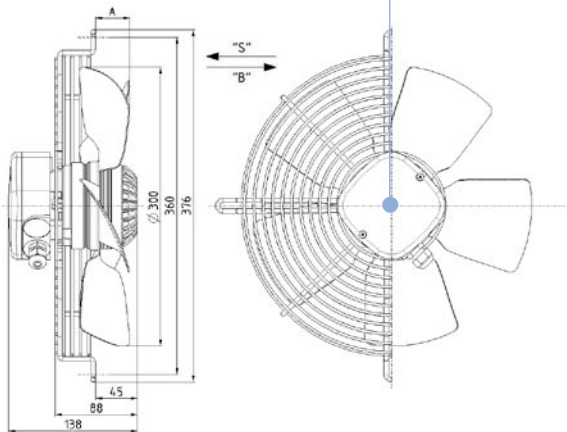
**Diameter:** 300 mm

**Fan with guard grill****Airflow****Direction****Type:**

»S« R09R-3028A-4T-2513  
 »B« R09R-3028P-4T-2513

**Code:**

0309-4-0059  
 0309-4-0035



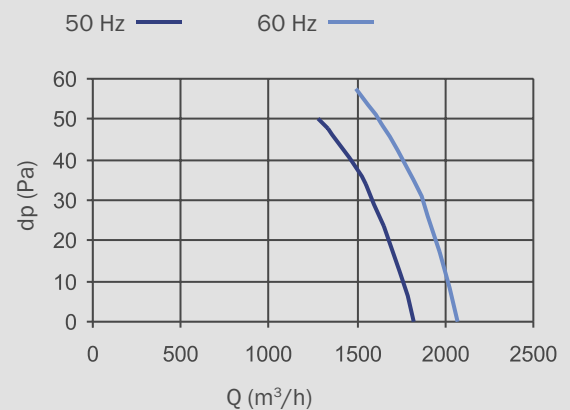
»S« Dimension A = 39 mm  
 »B« Dimension A = 39 mm

**Weight:**  
 3 kg

**Fan without guard grill****Airflow****Direction****Type:**

»S« R09E-3028A-4T-2513  
 »B« R09E-3028P-4T-2513

Available on request

**Aerodynamic characteristic:****Performance Data:**

3~230 / 400V 50/60Hz

$P_1 = 72 / 81W$

$n = 1300 / 1440min^{-1}$

$I = 0,31 / 0,18A / 0,28 / 0,16A$

$t_R = 50^\circ C$

LWA = 66 / 69dB(A)

Connection: terminal box

Ins.Cl. F

IP54

**Notes:**

Fan characteristic measured in short bell mouth with guard grill



**Diameter:** 315 mm

R09\_-3132\_-4M-3509

#### Fan with wall plate

##### Airflow

##### Direction Type:

»S«

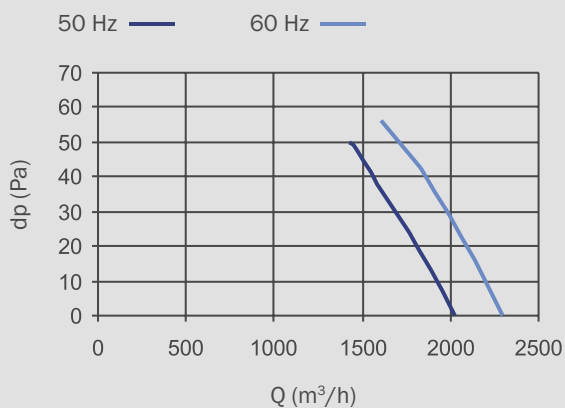
R09P-3132A-4M-3509

»B«

R09P-3132P-4M-3509

Available on request

#### Aerodynamic characteristic:



#### Performance Data:

1~230V 50/60Hz

$P_1 = 86 / 117W$

$n = 1340 / 1490\text{min}^{-1}$

$I = 0,38 / 0,51A$

$t_R = 55 / 45^\circ C$

$L_{wa} = 68 / 72\text{dB(A)}$

$C = 3,15\mu F / 450V$

Connection: terminal box

Ins.Cl. F

IP54

#### Notes:

Fan characteristic measured in short bell mouth with guard grill

#### Fan with guard grill

##### Airflow

##### Direction Type:

»S«

R09R-3132A-4M-3509

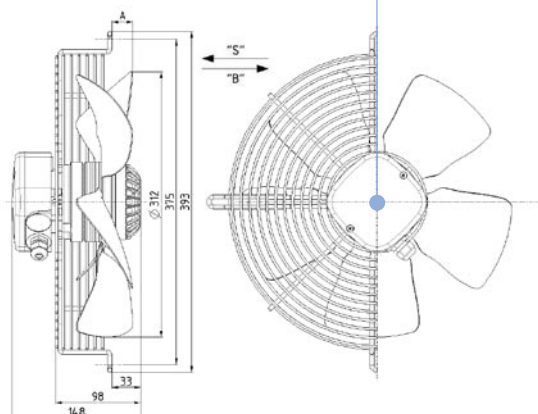
»B«

R09R-3132P-4M-3509

##### Code:

0309-4-0048

0309-4-0075



»S« Dimension A = 27 mm

»B« Dimension A = 32 mm

##### Weight:

3,5 kg

#### Fan without guard grill

##### Airflow

##### Direction Type:

»S«

R09E-3132A-4M-3509

»B«

R09E-3132P-4M-3509

Available on request

**Fan with wall plate****Airflow****Direction****Type:**

»S«

R09P-3132A-4T-3524

»B«

R09P-3132P-4T-3524

Available on request

R09\_-3132\_-4T-3524

**Diameter:** 315 mm**Fan with guard grill****Airflow****Direction****Type:**

»S«

R09R-3132A-4T-3524

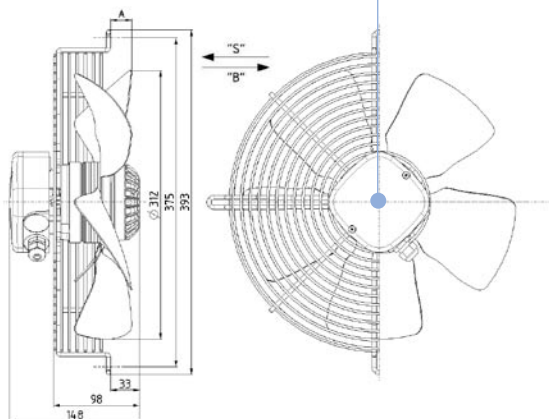
»B«

R09R-3132P-4T-3524

**Code:**

0309-4-0130

0309-4-0091



»S« Dimension A = 27 mm

»B« Dimension A = 32 mm

**Weight:**

4 kg

**Fan without guard grill****Airflow****Direction****Type:**

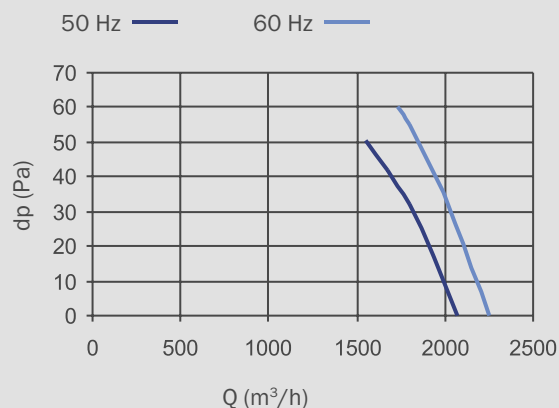
»S«

R09E-3132A-4T-3524

»B«

R09E-3132P-4T-3524

Available on request

**Aerodynamic characteristic:****Performance Data:**

3~230 / 400V 50/60Hz

 $P_1 = 80 / 102W$  $n = 1350 / 1500\text{min}^{-1}$  $I = 0,34 / 0,20A / 0,33 / 0,19A$  $t_R = 65^\circ C$ 

Lwa = 68 / 72dB(A)

Connection: terminal box

Ins.Cl. F

IP54

**Notes:**

Fan characteristic measured in short bell mouth with guard grill



**Diameter:** 330 mm

R09\_-3332\_-4M-4228

#### Fan with wall plate

##### Airflow

##### Direction Type:

»S«

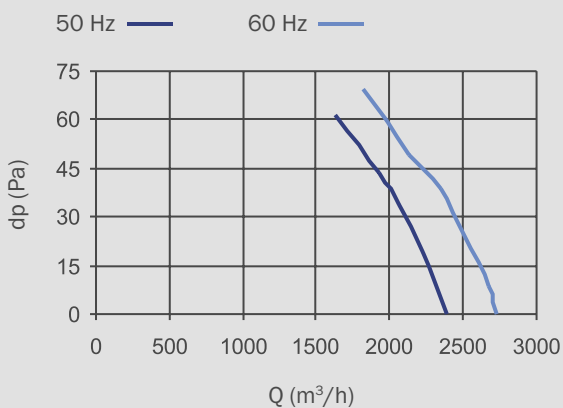
R09P-3332A-4M-4228

»B«

R09P-3332P-4M-4228

Available on request

#### Aerodynamic characteristic:



#### Performance Data:

1~230V 50/60Hz

$P_1 = 130 / 170W$

$n = 1330 / 1480\text{min}^{-1}$

$I = 0,58 / 0,78A$

$t_R = 60^\circ C$

$L_{wa} = 70 / 72\text{dB(A)}$

$C = 4\mu F / 450V$

Connection: terminal box

Ins.Cl. F

IP54

#### Notes:

Fan characteristic measured in short bell mouth with guard grill

#### Fan with guard grill

##### Airflow

##### Direction Type:

»S«

R09R-3332A-4M-4228

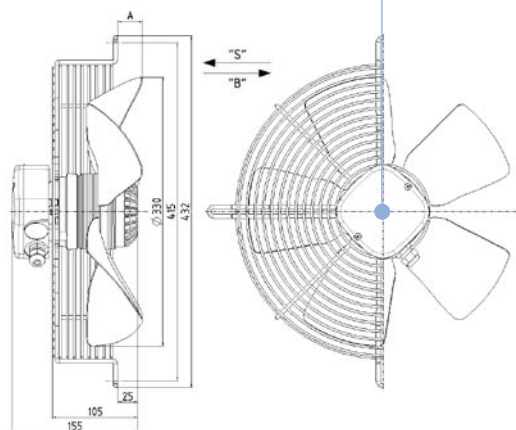
»B«

R09R-3332P-4M-4228

##### Code:

0309-4-0264

0309-4-0265



»S« Dimension A = 34 mm

»B« Dimension A = 34 mm

##### Weight:

3,5 kg

#### Fan without guard grill

##### Airflow

##### Direction Type:

»S«

R09E-3332A-4M-4228

»B«

R09E-3332P-4M-4228

Available on request

**Fan with wall plate****Airflow****Direction****Type:**

»S« R09P-3532A-4M-4200  
 »B« R09P-3532P-4M-4200

Available on request

R09\_-3532\_-4M-4200



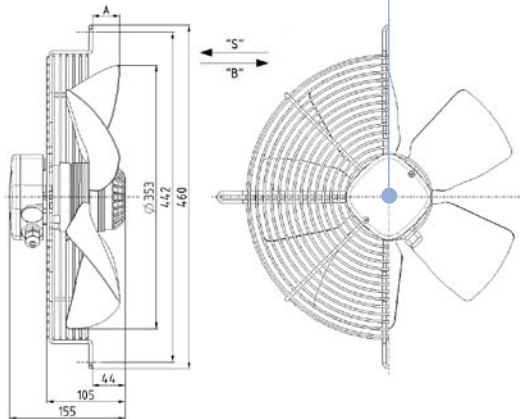
**Diameter:** 350 mm

**Fan with guard grill****Airflow****Direction****Type:**

»S« R09R-3532A-4M-4200  
 »B« R09R-3532P-4M-4200

**Code:**

0309-4-0108  
 0309-4-0221



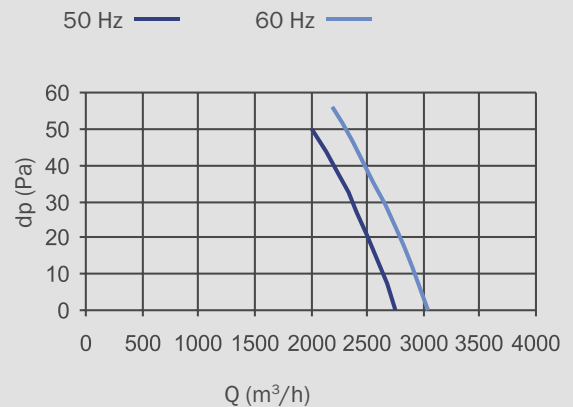
»S« Dimension A = 40 mm  
 »B« Dimension A = 40 mm

**Weight:**  
 4 kg

**Fan without guard grill****Airflow****Direction****Type:**

»S« R09E-3532A-4M-4200  
 »B« R09E-3532P-4M-4200

Available on request

**Aerodynamic characteristic:****Performance Data:**

1~230V 50/60Hz  
 $P_1 = 155 / 158W$   
 $n = 1270 / 1390min^{-1}$   
 $I = 0,75 / 0,68A$   
 $t_R = 50^\circ C$   
 $Lwa = 71 / 73dB(A)$   
 $C = 5\mu F / 450V$   
 Connection: terminal box  
 Ins.Cl. F  
 IP54

**Notes:**

Fan characteristic measured in short bell mouth with guard grill





R09\_-3532\_-4T-4203

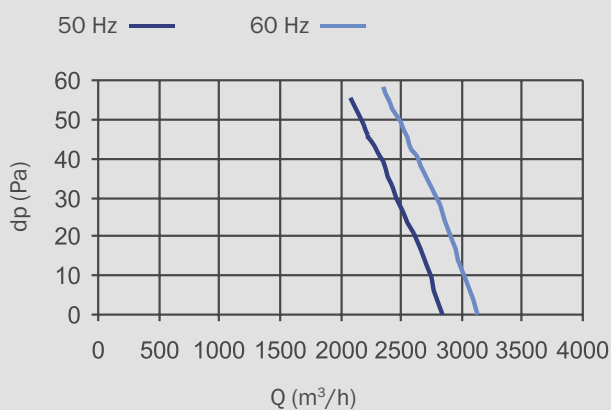
**Fan with wall plate****Airflow****Direction**

- »S«
- »B«

**Type:**

R09P-3532A-4T-4203  
R09P-3532P-4T-4203

Available on request

**Diameter:** 350 mm**Aerodynamic characteristic:****Performance Data:**

3~230 / 400V 50/60Hz

 $P_1 = 135 / 165W$  $n = 1340 / 1460min^{-1}$  $I = 0,55 / 0,31A$  $t_R = 50^\circ C$ 

Lwa = 72 / 75dB(A)

Connection: terminal box

Ins.Cl. F

IP54

**Notes:**

Fan characteristic measured in short bell mouth with guard grill

**Fan with guard grill****Airflow****Direction**

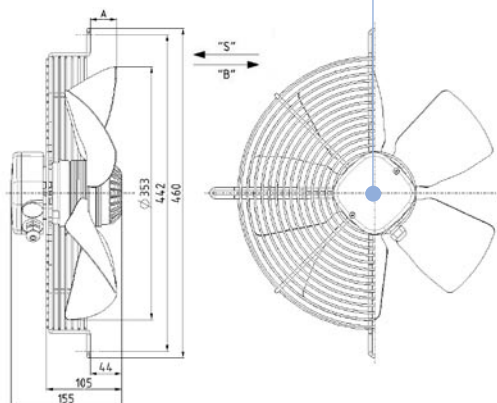
- »S«
- »B«

**Type:**

R09R-3532A-4T-4203  
R09R-3532P-4T-4203

**Code:**

0309-4-0222  
0309-4-0223



»S« Dimension A = 40 mm

»B« Dimension A = 40 mm

**Weight:**

4 kg

**Fan without guard grill****Airflow****Direction**

- »S«
- »B«

**Type:**

R09E-3532A-4T-4203  
R09E-3532P-4T-4203

Available on request

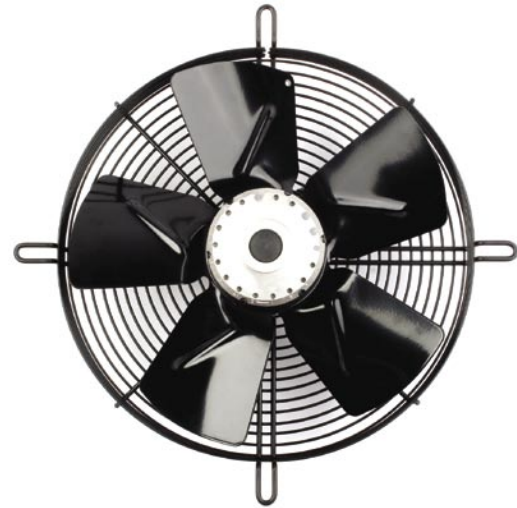
**Fan with wall plate****Airflow****Direction Type:**

»S« R11P-3530A-4M-3119

»B« R11P-3530P-4M-3119

Available on request

R11\_-3530\_-4M-3119

**Diameter:** 350 mm**Fan with guard grill****Airflow****Direction Type:**

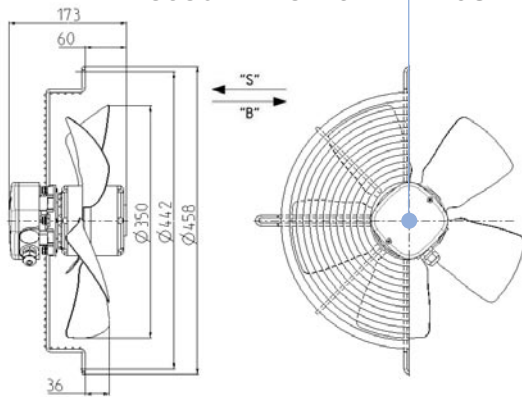
»S« R11R-3530A-4M-3119

»B« R11R-3530P-4M-3119

**Code:**

0311-4-0196

0311-4-0157



»S« Dimension A = 36 mm

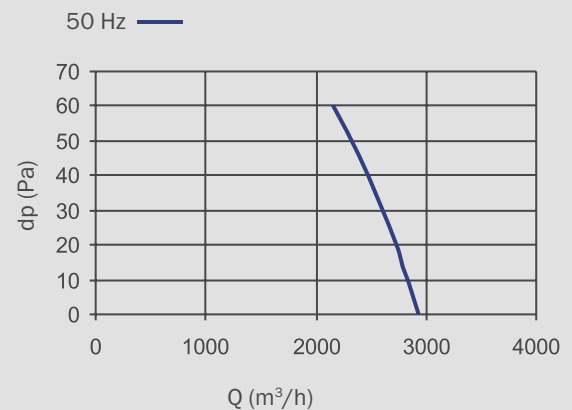
»B« Dimension A = 36 mm

**Weight:**  
5 kg**Fan without guard grill****Airflow****Direction Type:**

»S« R09E-3530A-4M-3119

»B« R09E-3530P-4M-3119

Available on request

**Aerodynamic characteristic:****Performance Data:**

1~230V 50Hz

 $P_1 = 128W$  $n = 1370 / \text{min}^{-1}$  $I = 0,56A$  $t_R = 60^\circ C$  $L_{wa} = 67\text{dB(A)}$  $C = 5\mu F / 450V$ 

Connection: terminal box

Ins.Cl. F

IP54

**Notes:**

Fan characteristic measured in short bell mouth with guard grill



**Diameter:** 400 mm

R11\_-4025\_-4M-5137

### Fan with wall plate

#### Airflow

#### Direction Type:

»S«

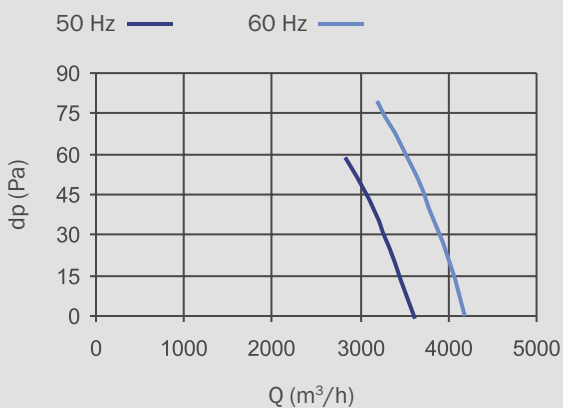
R11P-4025A-4M-5137

»B«

R11P-4025P-4M-5137

Available on request

### Aerodynamic characteristic:



### Performance Data:

1~230V 50/60Hz

$P_1 = 170 / 205W$

$n = 1370 / 1570\text{min}^{-1}$

$I = 0,82 / 0,89A$

$t_R = 65 / 45^\circ C$

$L_{wa} = 71 / 74\text{dB(A)}$

$C = 6,3\mu F / 450V$

Connection: terminal box

Ins.Cl. F

IP54

### Notes:

Fan characteristic measured in short bell mouth with guard grill

### Fan with guard grill

#### Airflow

#### Direction Type:

»S«

R11R-4025A-4M-5137

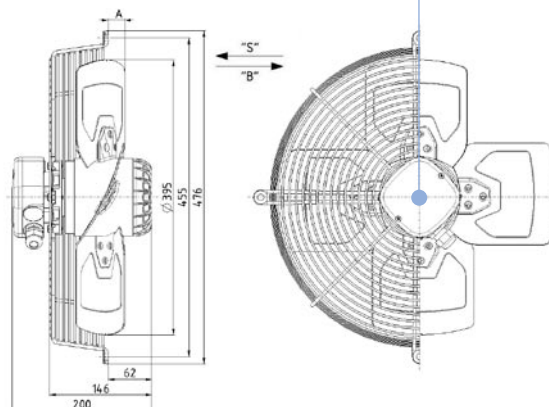
»B«

R11R-4025P-4M-5137

#### Code:

0311-4-0194

0311-4-0195



»S« Dimension A = 33 mm

»B« Dimension A = 48 mm

#### Weight:

6.1 kg

### Fan without guard grill

#### Airflow

#### Direction Type:

»S«

R11E-4025A-4M-5137

»B«

R11E-4025P-4M-5137

Available on request

**Fan with wall plate****Airflow****Direction****Type:**

- »S« R11P-4030A-4M-5137  
 »B« R11P-4030P-4M-5137

Available on request

R11\_-4030\_-4M-5137



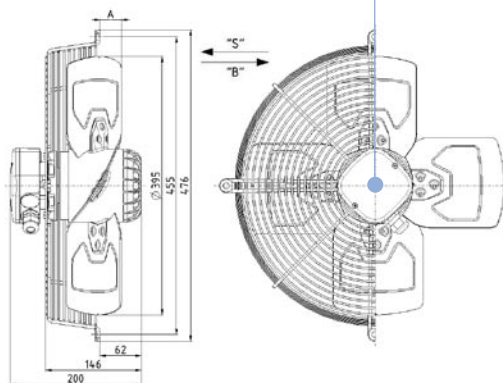
**Diameter:** 400 mm

**Fan with guard grill****Airflow****Direction****Type:**

- »S« R11R-4030A-4M-5137  
 »B« R11R-4030P-4M-5137

**Code:**

- 0311-4-0192  
 0311-4-0193



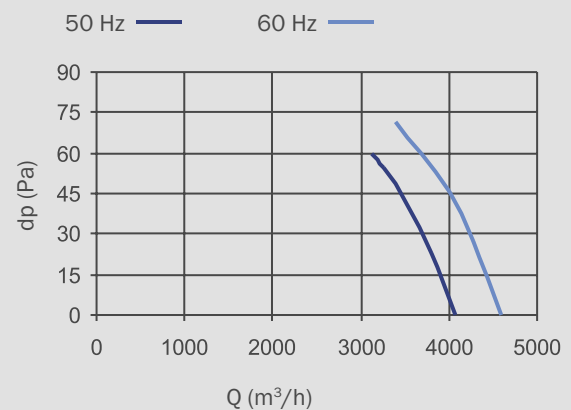
- »S« Dimension A = 41 mm  
 »B« Dimension A = 53 mm

**Weight:**  
 6,1 kg

**Fan without guard grill****Airflow****Direction****Type:**

- »S« R11E-4030A-4M-5137  
 »B« R11E-4030P-4M-5137

Available on request

**Aerodynamic characteristic:****Performance Data:**

1~230V 50/60Hz  
 $P_1 = 200 / 265W$   
 $n = 1345 / 1500min^{-1}$   
 $I = 0,90 / 1,15A$   
 $t_R = 65 / 45^\circ C$   
 $Lwa = 72 / 76dB(A)$   
 $C = 6,3uF / 450V$   
 Connection: terminal box  
 Ins.Cl. F  
 IP54

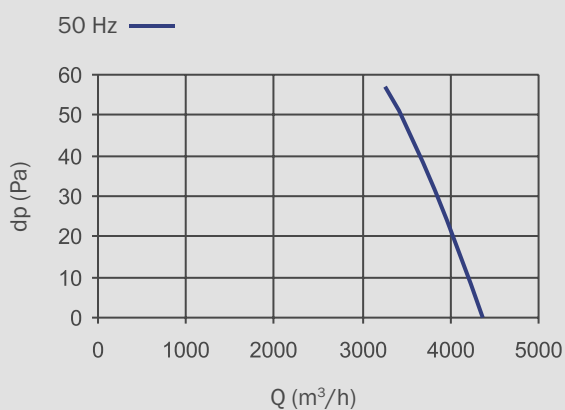
**Notes:**

Fan characteristic measured in short bell mouth with guard grill



**Diameter:** 400 mm

#### Aerodynamic characteristic:



#### Performance Data:

1~230V 50Hz

$P_1 = 245W$

$n = 1320\text{min}^{-1}$

$I = 1,15A$

$t_R = 50^\circ C$

$L_{wa} = 73\text{dB(A)}$

$C = 6,3\mu F / 450V$

Connection: terminal box

Ins.Cl. F

IP54

#### Notes:

Fan characteristic measured in short bell mouth with guard grill

#### Fan with wall plate

##### Airflow

##### Direction Type:

»S«

R11P-4035A-4M-5715

»B«

R11P-4035P-4M-5715

R11\_-4035\_-4M-5715

Available on request

#### Fan with guard grill

##### Airflow

##### Direction Type:

»S«

R11R-4035A-4M-5715

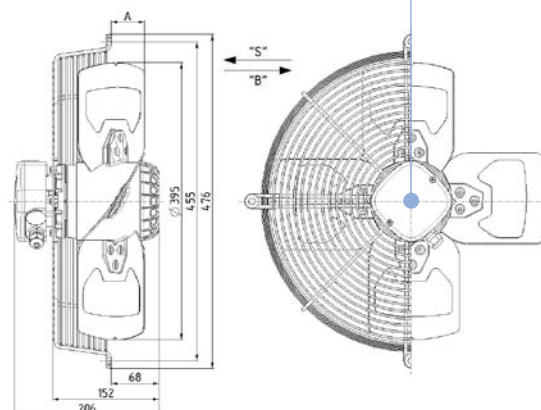
»B«

R11R-4035P-4M-5715

##### Code:

0311-4-0028

0311-4-0047



»S« Dimension A = 49 mm

»B« Dimension A = 61 mm

##### Weight:

6,3 kg

#### Fan without guard grill

##### Airflow

##### Direction Type:

»S«

R11E-4035A-4M-5715

»B«

R11E-4035P-4M-5715

Available on request

**Fan with wall plate****Airflow****Direction****Type:**

- »S« R11P-4025A-4T2-3830  
 »B« R11P-4025P-4T2-3830

Available on request

R11\_-4025\_-4T2-3830



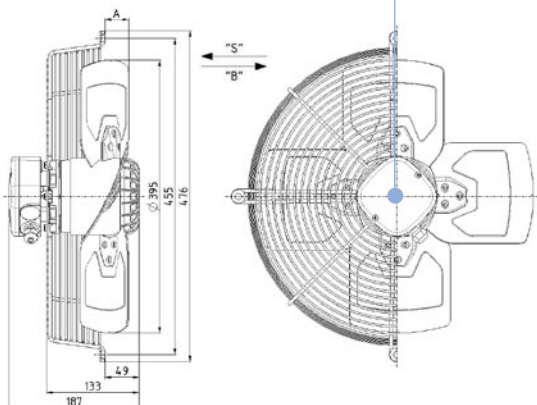
**Diameter:** 400 mm

**Fan with guard grill****Airflow****Direction****Type:**

- »S« R11R-4025A-4T2-3830  
 »B« R11R-4025P-4T2-3830

**Code:**

- 0311-4-0187  
 0311-4-0188



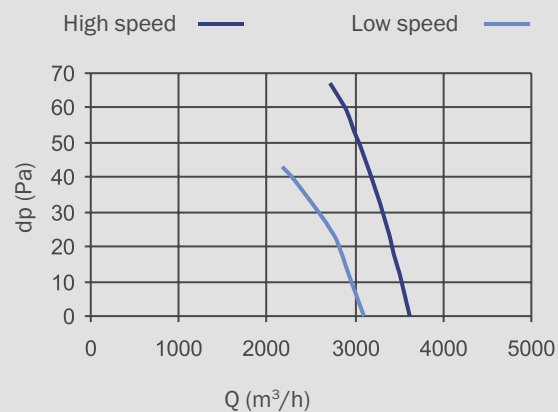
- »S« Dimension A = 33 mm  
 »B« Dimension A = 48 mm

**Weight:**  
 5,7 kg

**Fan without guard grill****Airflow****Direction****Type:**

- »S« R11E-4025A-4T2-3830  
 »B« R11E-4025P-4T2-3830

Available on request

**Aerodynamic characteristic:****Performance Data:**

3~400V D/Y 50Hz  
 $P_1 = 155 / 113W$   
 $n = 1390 / 1170\text{min}^{-1}$   
 $I = 0,29 / 0,18A$   
 $t_R = 70^\circ C$   
 $Lwa = 70 / 66\text{dB(A)}$   
 Connection: terminal box  
 Ins.Cl. F  
 IP54

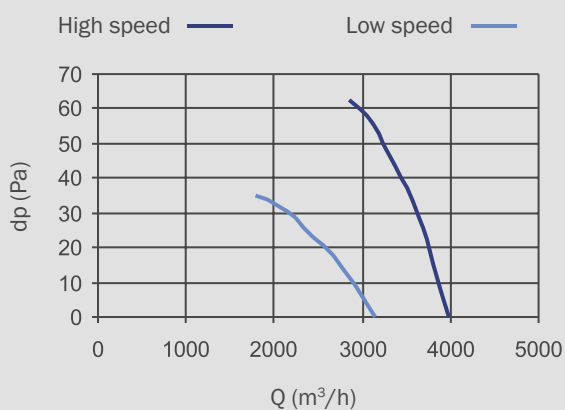
**Notes:**

Fan characteristic measured in short bell mouth with guard grill



**Diameter:** 400 mm

#### Aerodynamic characteristic:



#### Performance Data:

3~400V D/Y 50Hz  
 $P_1 = 195 / 130W$   
 $n = 1320 / 1000min^{-1}$   
 $I = 0,34 / 0,21A$   
 $t_R = 70^\circ C$   
 $Lwa = 73 / 66dB(A)$   
 Connection: box  
 Ins.Cl. F  
 IP54

#### Notes:

Fan characteristic measured in short bell mouth with guard grill

#### R11\_-4030\_-4T2-3830 Fan with wall plate

##### Airflow

##### Direction Type:

»S« R11P-4030A-4T2-3830  
 »B« R11P-4030P-4T2-3830

Available on request

#### Fan with guard grill

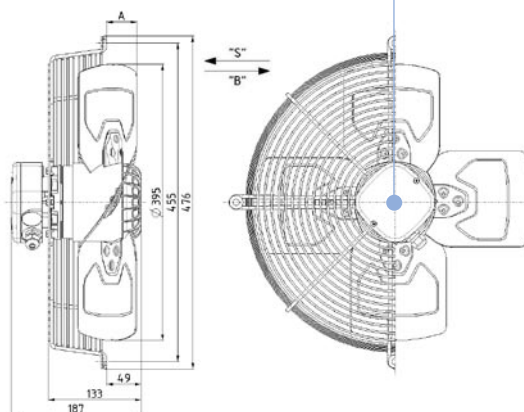
##### Airflow

##### Direction Type:

»S« R11R-4030A-4T2-3830  
 »B« R11R-4030P-4T2-3830

##### Code:

0311-4-0034  
 0311-4-0042



»S« Dimension A = 41 mm  
 »B« Dimension A = 53 mm

**Weight:**  
 5,7 kg

#### Fan without guard grill

##### Airflow

##### Direction Type:

»S« R11E-4030A-4T2-3830  
 »B« R11E-4030P-4T2-3830

Available on request

**Fan with wall plate****Airflow****Direction****Type:**

»S«

R11P-4035A-4T2-5745

»B«

R11P-4035P-4T2-5745

Available on request

R11\_-4035\_-4T2-5745

**Diameter:** 400 mm**Fan with guard grill****Airflow****Direction****Type:**

»S«

R11R-4035A-4T2-5745

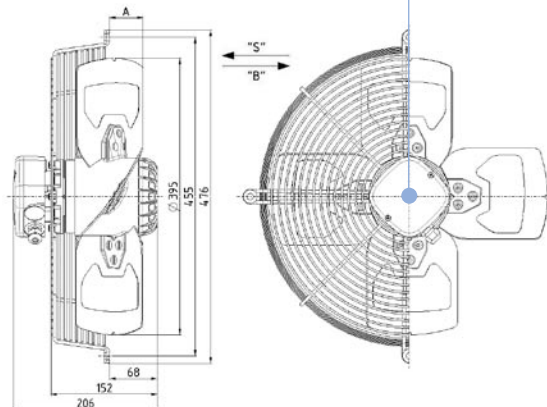
»B«

R11R-4035P-4T2-5745

**Code:**

0311-4-0159

0311-4-0049



»S« Dimension A = 49 mm

»B« Dimension A = 61 mm

**Weight:**

6,3 kg

**Fan without guard grill****Airflow****Direction****Type:**

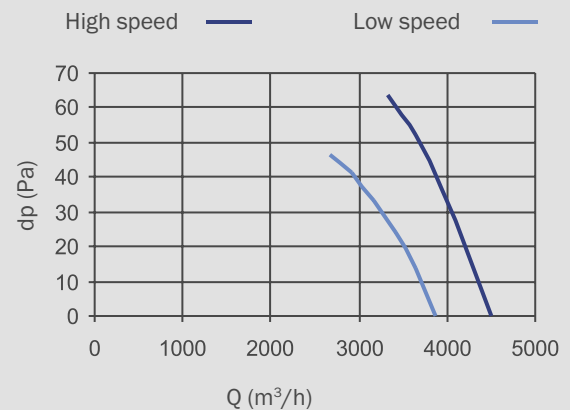
»S«

R11E-4035A-4T2-5745

»B«

R11E-4035P-4T2-5745

Available on request

**Aerodynamic characteristic:****Performance Data:**

3~400V D/Y 50Hz

 $P_1 = 250 / 188W$  $n = 1380 / 1160\text{min}^{-1}$  $I = 0,52 / 0,30A$  $t_R = 70^\circ C$ 

Lwa = 75 / 71dB(A)

Connection: terminal box

Ins.Cl. F

IP54

**Notes:**

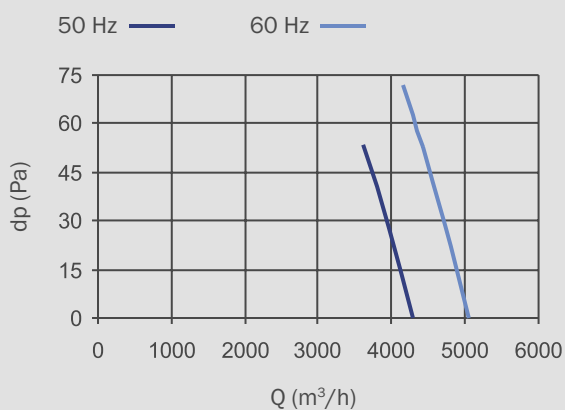
Fan characteristic measured in short bell mouth with guard grill





**Diameter:** 420 mm

### Aerodynamic characteristic:



### Performance Data:

1~230V 50/60Hz  
 $P_1 = 235 / 320W$   
 $n = 1400 / 1600min^{-1}$   
 $I = 1,15 / 1,40A$   
 $t_R = 50^\circ C$   
 $L_{wa} = 70 / 73dB(A)$   
 $C = 6,3uF / 450V$   
 Connection: terminal box  
 Ins.Cl. F  
 IP54

### Notes:

Fan characteristic measured in short bell mouth with guard grill

### Fan with wall plate

#### Airflow

#### Direction Type:

»S« R11P-4225A-4M-5715  
 »B« R11P-4225P-4M-5715

R11\_-4225\_-4M-5715

Available on request

### Fan with guard grill

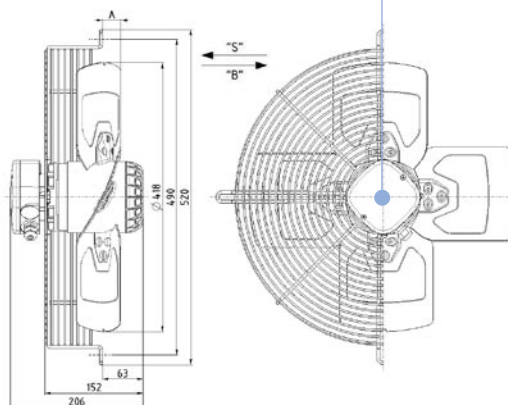
#### Airflow

#### Direction Type:

»S« R11R-4225A-4M-5715  
 »B« R11R-4225P-4M-5715

#### Code:

0311-4-0265  
 0311-4-0266



»S« Dimension A = 33 mm  
 »B« Dimension A = 48 mm

**Weight:**  
 6,3 kg

### Fan without guard grill

#### Airflow

#### Direction Type:

»S« R11E-4225A-4M-5715  
 »B« R11E-4225P-4M-5715

Available on request

**Fan with wall plate****Airflow****Direction**

»S«

**Type:**

R11P-42EFA-6M-5727

Available on request

R11\_-42EFA-6M-5727

**Diameter:** 420 mm**Fan with guard grill****Airflow****Direction**

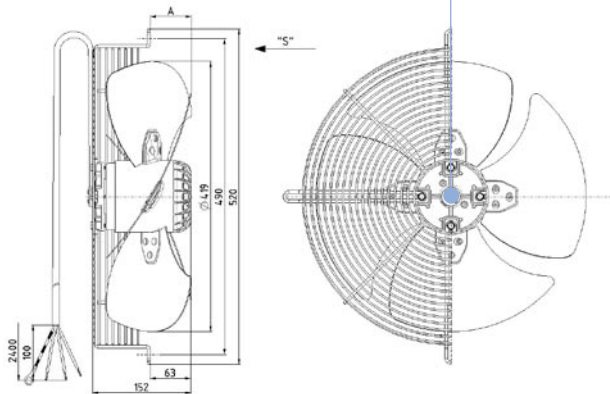
»S«

**Type:**

R11R-42EFA-6M-5727

**Code:**

0311-4-0151



»S« Dimension A = 43 mm

»B« Dimension A = 57 mm

**Weight:**

6,5 kg

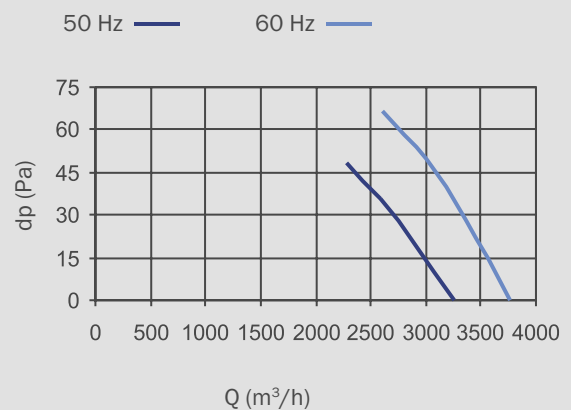
**Fan without guard grill****Airflow****Direction**

»S«

**Type:**

R11E-42EFA-6M-5727

Available on request

**Aerodynamic characteristic:****Performance Data:**

1~230V 50/60Hz

 $P_1 = 145 / 205W$  $n = 940 / 1100\text{min}^{-1}$  $I = 0,67 / 0,90A$  $t_R = 60^\circ C$  $L_{wa} = 64 / 68\text{dB(A)}$  $C = 6,3\mu F / 450V$ 

Connection: cable

Ins.Cl. F

IP54

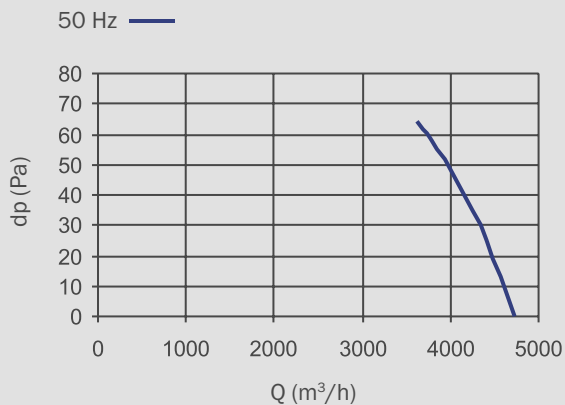
**Notes:**

Fan characteristic measured in short bell mouth with guard grill



**Diameter:** 450 mm

#### Aerodynamic characteristic:



#### Performance Data:

1~230V 50Hz

$P_1 = 240W$

$n = 1320\text{min}^{-1}$

$I = 1,1A$

$t_R = 50^\circ C$

$L_{wa} = 72\text{dB(A)}$

$C = 6,3\mu F / 450V$

Connection: terminal box

Ins.Cl. F

IP54

#### Notes:

Fan characteristic measured in short bell mouth with guard grill

R11\_-4525\_-4M-5135

#### Fan with wall plate

##### Airflow

##### Direction Type:

»S«

R11P-4525A-4M-5135

»B«

R11P-4525P-4M-5135

Available on request

#### Fan with guard grill

##### Airflow

##### Direction Type:

»S«

R11R-4525A-4M-5135

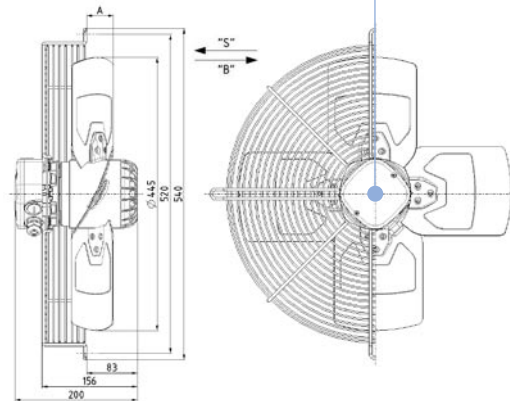
»B«

R11R-4525P-4M-5135

##### Code:

0311-4-0139

0311-4-0138



»S« Dimension A = 43 mm

»B« Dimension A = 57 mm

##### Weight:

6,3 kg

#### Fan without guard grill

##### Airflow

##### Direction Type:

»S«

R11E-4525A-4M-5135

»B«

R11E-4525P-4M-5135

Available on request

**Fan with wall plate****Airflow****Direction****Type:**

»S« R11P-4530A-4M-5749  
 »B« R11P-4530P-4M-5749

Available on request

R11\_-4530\_-4M-5749



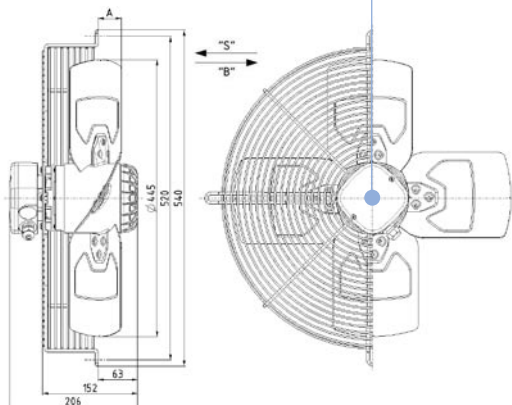
**Diameter:** 450 mm

**Fan with guard grill****Airflow****Direction****Type:**

»S« R11R-4530A-4M-5749  
 »B« R11R-4530P-4M-5749

**Code:**

0311-4-0240  
 0311-4-0270



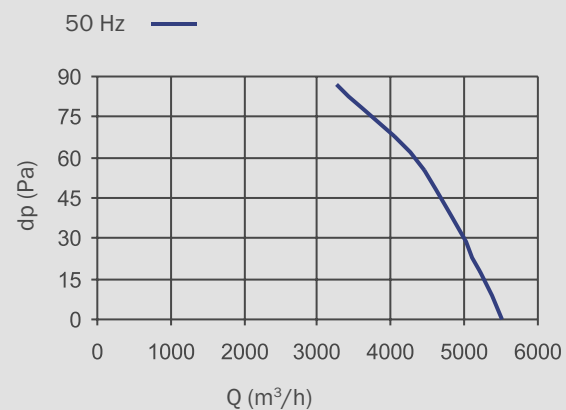
»S« Dimension A = 37 mm  
 »B« Dimension A = 51 mm

**Weight:**  
 6,3 kg

**Fan without guard grill****Airflow****Direction****Type:**

»S« R11E-4530A-4M-5749  
 »B« R11E-4530P-4M-5749

Available on request

**Aerodynamic characteristic:****Performance Data:**

1~230V 50Hz

$P_1 = 310W$

$n = 1270\text{min}^{-1}$

$I = 1,4A$

$t_R = 55^\circ C$

$C = 10\mu F / 450V$

$L_{wa} = 74\text{dB(A)}$

Connection: terminal box

Ins.Cl. F

IP54

**Notes:**

Fan characteristic measured in short bell mouth with guard grill



**Diameter:** 450 mm

R11\_-4525\_-4T-5136

### Fan with wall plate

#### Airflow

#### Direction Type:

»S«

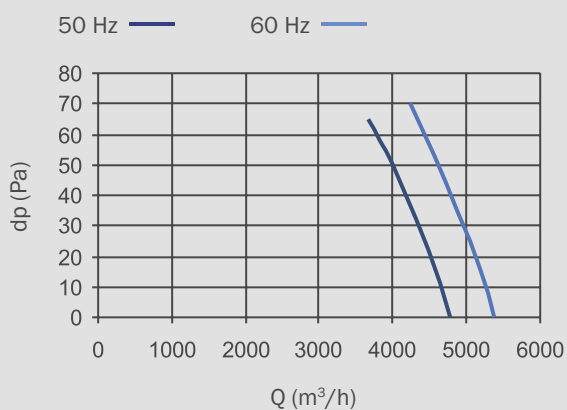
R11P-4525A-4T-5136

»B«

R11P-4525P-4T-5136

Available on request

### Aerodynamic characteristic:



### Performance Data:

3~230 / 400V 50/60Hz

$P_1 = 215 / 305W$

$n = 1315 / 1470\text{min}^{-1}$

$I = 0,5 / 0,53A$

$t_R = 70^\circ\text{C}$

$L_{wa} = 75 / 72\text{dB(A)}$

Connection: terminal box

Ins.Cl. F

IP54

### Notes:

Fan characteristic measured in short bell mouth with guard grill

### Fan with guard grill

#### Airflow

#### Direction Type:

»S«

R11R-4525A-4T-5136

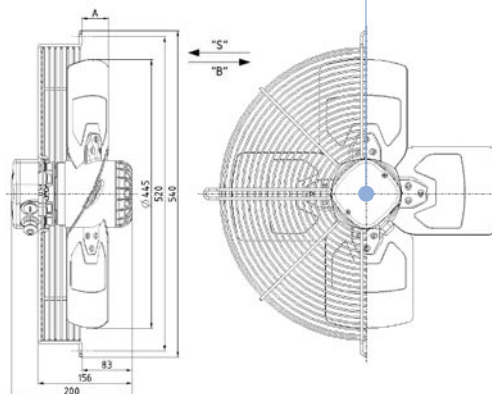
»B«

R11R-4525P-4T-5136

#### Code:

0311-4-0117

0311-4-0082



»S« Dimension A = 43 mm

»B« Dimension A = 57 mm

#### Weight:

6,3 kg

### Fan without guard grill

#### Airflow

#### Direction Type:

»S«

R11E-4525A-4T-5136

»B«

R11E-4525P-4T-5136

Available on request

**Fan with wall plate****Airflow****Direction****Type:**

- »S« R13P-4523A-4M-5009  
 »B« R13P-4523P-4M-5009

Available on request

R13\_-4523\_-4M-5009



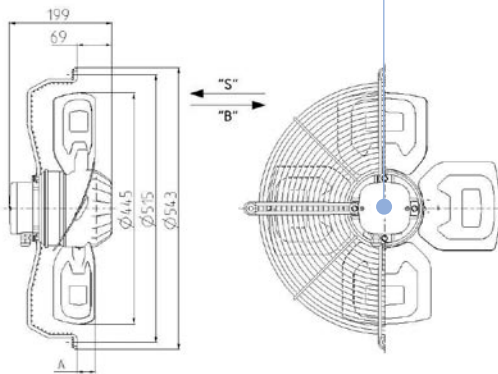
**Diameter:** 450 mm

**Fan with guard grill****Airflow****Direction****Type:**

- »S« R13R-4523A-4M-5009  
 »B« R13R-4523P-4M-5009

**Code:**

- 0313-4-0168  
 0313-4-0171



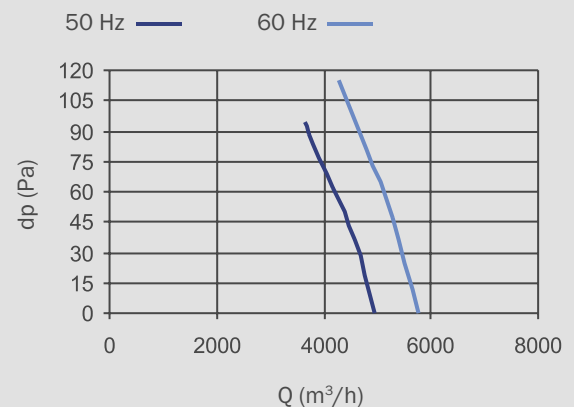
- »S« Dimension A = 31 mm  
 »B« Dimension A = 54 mm

**Weight:**  
 10 kg

**Fan without guard grill****Airflow****Direction****Type:**

- »S« R13E-4523A-4M-5009  
 »B« R13E-4523P-4M-5009

Available on request

**Aerodynamic characteristic:****Performance Data:**

1~230V 50/60Hz  
 $P_1 = 280 / 430W$   
 $n = 1420 / 1640min^{-1}$   
 $I = 1,4 / 1,85A$   
 $t_R = 65^\circ C$   
 $Lwa = 72 / 76dB(A)$   
 $C = 8\mu F / 400V$   
 Connection: terminal box  
 Ins.Cl. F  
 IP54

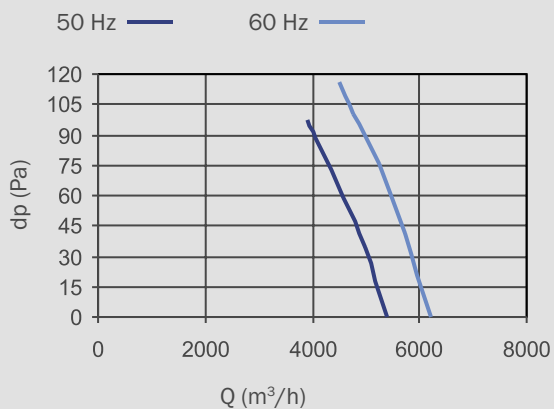
**Notes:**

Fan characteristic measured in short bell mouth with guard grill



**Diameter:** 450 mm

#### Aerodynamic characteristic:



#### Performance Data:

1~230V 50/60Hz  
 $P_1 = 310 / 460W$   
 $n = 1410 / 1630min^{-1}$   
 $I = 1,4 / 2,0A$   
 $t_R = 70^\circ C$   
 $L_{wa} = 74 / 79dB(A)$   
 $C = 8uF / 450V$   
 Connection: terminal box  
 Ins.Cl. F  
 IP54

#### Notes:

Fan characteristic measured in short bell mouth with guard grill

R13\_-4525\_-4M-5009

#### Fan with wall plate

##### Airflow

##### Direction Type:

»S«

R13P-4525A-4M-5009

»B«

R13P-4525P-4M-5009

Available on request

#### Fan with guard grill

##### Airflow

##### Direction Type:

»S«

R13R-4525A-4M-5009

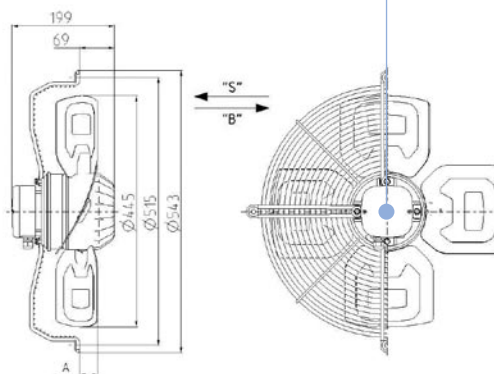
»B«

R13R-4525P-4M-5009

##### Code:

0313-4-0003

0313-4-0082



»S« Dimension A = 35 mm

»B« Dimension A = 57 mm

**Weight:**  
10 kg

#### Fan without guard grill

##### Airflow

##### Direction Type:

»S«

R13E-4525A-4M-5009

»B«

R13E-4525P-4M-5009

Available on request

**Fan with wall plate****Airflow****Direction Type:**

»S« R13P-4530A-4M-7039

»B« R13P-4530P-4M-7039

Available on request

R13\_-4530\_-4M-7039

**Diameter:** 450 mm**Fan with guard grill****Airflow****Direction Type:**

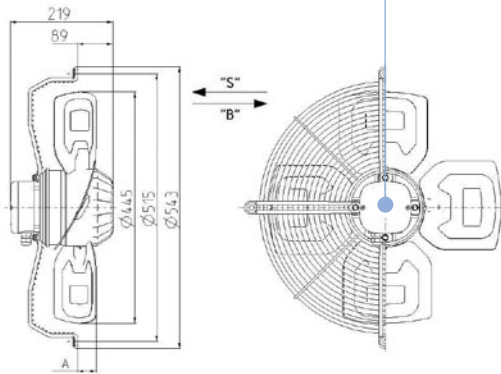
»S« R13R-4530A-4M-7039

»B« R13R-4530P-4M-7039

**Code:**

0313-4-0178

0313-4-0166



»S« Dimension A = 43 mm

»B« Dimension A = 65 mm

**Weight:**

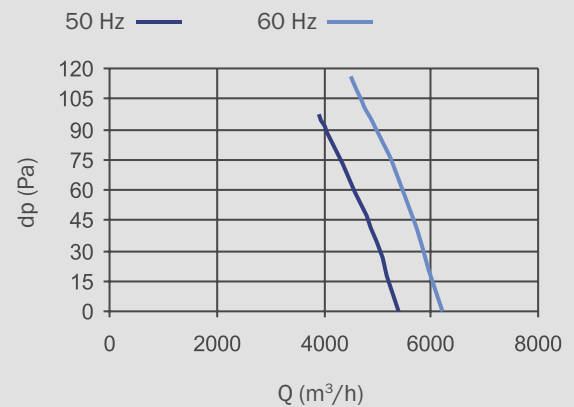
12,1 kg

**Fan without guard grill****Airflow****Direction Type:**

»S« R13E-4530A-4M-7039

»B« R13E-4530P-4M-7039

Available on request

**Aerodynamic characteristic:****Performance Data:**

1~230V 50/60Hz

 $P_1 = 375 / 570W$  $n = 1390 / 1570\text{min}^{-1}$  $I = 1,7 / 2,5A$  $t_R = 60^\circ C$ 

Lwa = 76 / 81dB(A)

C = 10uF / 400V

Connection: terminal box

Ins.Cl. F

IP54

**Notes:**

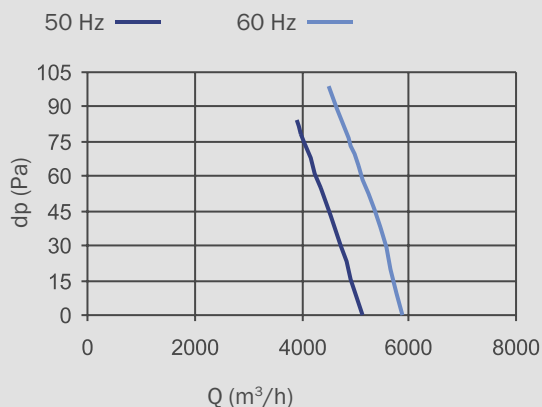
Fan characteristic measured in short bell mouth with guard grill





**Diameter:** 450 mm

#### Aerodynamic characteristic:



#### Performance Data:

3~230/400V 50/60Hz

$P_1 = 290 / 410W$

$n = 1380 / 1560\text{min}^{-1}$

$I = 1,5 / 0,90A$

$t_R = 65^\circ\text{C}$

$L_{wa} = 72 / 78\text{dB(A)}$

Connection: Terminal box

Ins.Cl. F

IP54

#### Notes:

Fan characteristic measured in short bell mouth with guard grill

R13\_-4525\_-4T-3529

#### Fan with wall plate

##### Airflow

##### Direction

»S«

»B«

##### Type:

R13P-4525A-4T-3529

R13P-4525P-4T-3529

Available on request

#### Fan with guard grill

##### Airflow

##### Direction

»S«

»B«

##### Type:

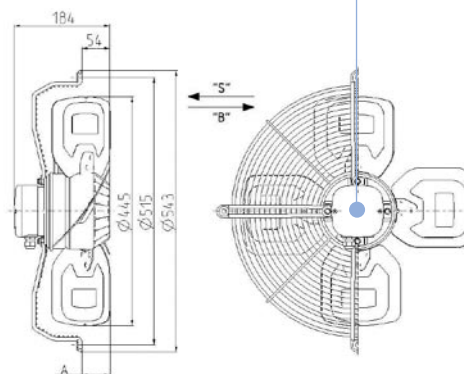
R13R-4525A-4T-3529

R13R-4525P-4T-3529

##### Code:

0313-4-0138

0313-4-0059



»S« Dimension A = 52 mm

»B« Dimension A = 57 mm

##### Weight:

8,4 kg

#### Fan without guard grill

##### Airflow

##### Direction

»S«

»B«

##### Type:

R13E-4525A-4T-3529

R13E-4525P-4T-3529

Available on request

**Fan with wall plate****Airflow****Direction****Type:**

»S« R13P-4530A-4T2-3500  
 »B« R13P-4530P-4T2-3500

Available on request

R13\_-4530\_-4T2-3500



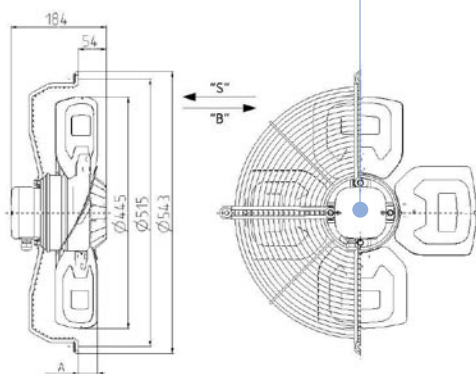
**Diameter:** 450 mm

**Fan with guard grill****Airflow****Direction****Type:**

»S« R13R-4530A-4T2-3500  
 »B« R13R-4530P-4T2-3500

**Code:**

0313-4-0000  
 0313-4-0008



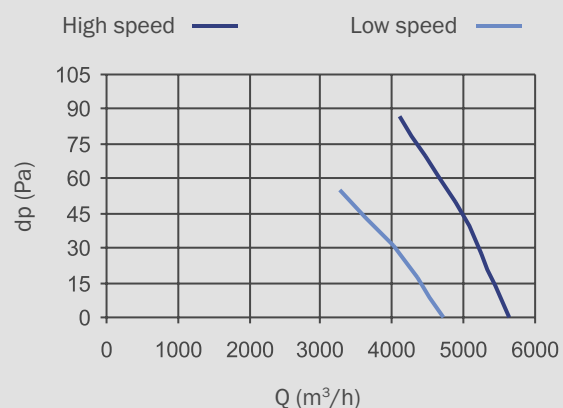
»S« Dimension A = 43 mm  
 »B« Dimension A = 65 mm

**Weight:**  
 8,4 kg

**Fan without guard grill****Airflow****Direction****Type:**

»S« R13E-4530A-4T2-3500  
 »B« R13E-4530P-4T2-3500

Available on request

**Aerodynamic characteristic:****Performance Data:**

3~400V D/Y 50Hz  
 $P_1 = 360 / 220W$   
 $n = 1330 / 1070min^{-1}$   
 $I = 0,76 / 0,38A$   
 $t_r = 40^\circ C$   
 $L_{wa} = 78 / 71dB(A)$   
 Connection: terminal box  
 Ins.Cl. F  
 IP54

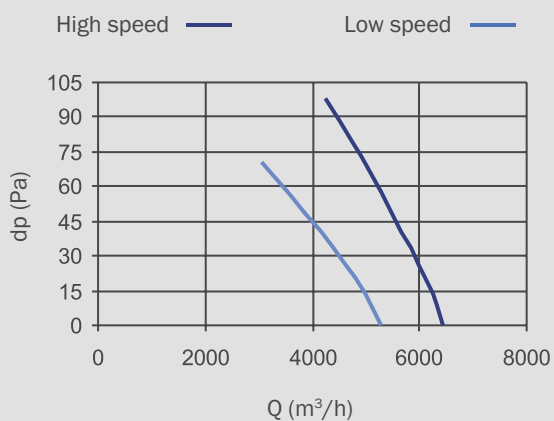
**Notes:**

Fan characteristic measured in short bell mouth with guard grill



**Diameter:** 450 mm

### Aerodynamic characteristic:



### Performance Data:

3~400V D/Y 50Hz  
 $P_1 = 465 / 330W$   
 $n = 1360 / 1100\text{min}^{-1}$   
 $I = 0,95 / 0,45A$   
 $t_R = 60^\circ C$   
 $Lwa = 80 / 73\text{dB(A)}$   
 Connection: terminal box  
 Ins.Cl. F  
 IP54

### Notes:

Fan characteristic measured in short bell mouth with guard grill

R13\_-4535\_-4T2-5004

### Fan with wall plate

#### Airflow

#### Direction

»S«  
 »B«

#### Type:

R13P-4535A-4T2-5004  
 R13P-4535P-4T2-5004

Available on request

### Fan with guard grill

#### Airflow

#### Direction

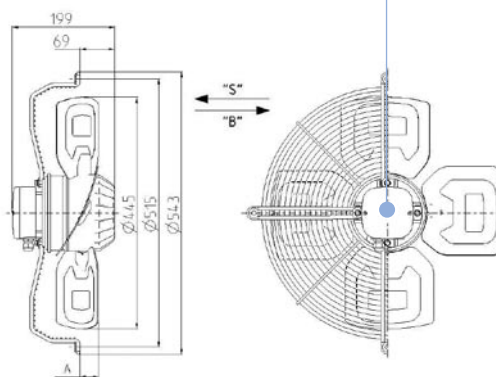
»S«  
 »B«

#### Type:

R13R-4535A-4T2-5004  
 R13R-4535P-4T2-5004

#### Code:

0313-4-0004  
 0313-4-0002



»S« Dimension A = 52 mm  
 »B« Dimension A = 71 mm

**Weight:**  
 10 kg

### Fan without guard grill

#### Airflow

#### Direction

»S«  
 »B«

#### Type:

R13E-4535A-4T2-5004  
 R13E-4535P-4T2-5004

Available on request

**Fan with wall plate****Airflow****Direction Type:**

»S« R13P-4530A-6M-3532  
 »B« R13P-4530P-6M-3532

Available on request

R13\_-4530\_-6M-3532



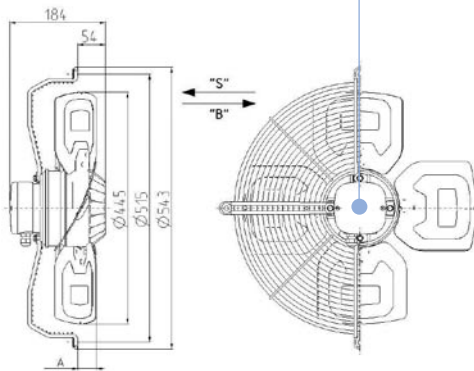
**Diameter:** 450 mm

**Fan with guard grill****Airflow****Direction Type:**

»S« R13R-4530A-6M-3532  
 »B« R13R-4530P-6M-3532

**Code:**

0313-4-0075  
 0313-4-0067



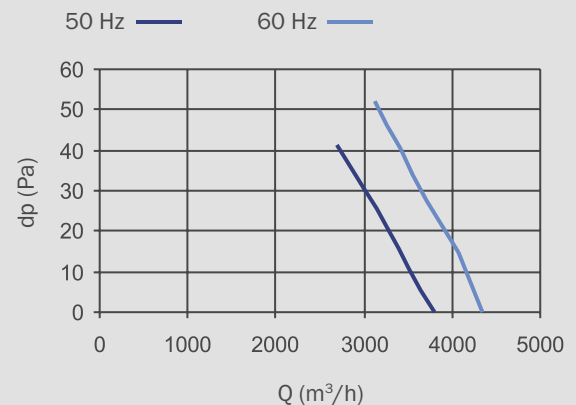
»S« Dimension A = 43 mm  
 »B« Dimension A = 71mm

**Weight:**  
 8,4 kg

**Fan without guard grill****Airflow****Direction Type:**

»S« R13E-4530A-6M-3532  
 »B« R13E-4530P-6M-3532

Available on request

**Aerodynamic characteristic:****Performance Data:**

1~230V 50/60Hz  
 $P_1 = 135 / 175W$   
 $n = 900 / 1030min^{-1}$   
 $I = 0,63 / 0,76A$   
 $t_R = 60^\circ C$   
 $Lwa = 68 / 72dB(A)$   
 $C = 5\mu F / 450V$   
 Connection: terminal box  
 Ins.Cl. F  
 IP54

**Notes:**

Fan characteristic measured in short bell mouth with guard grill



**Diameter:** 450 mm

R13\_-4535\_-6M-5027

### Fan with wall plate

#### Airflow

#### Direction

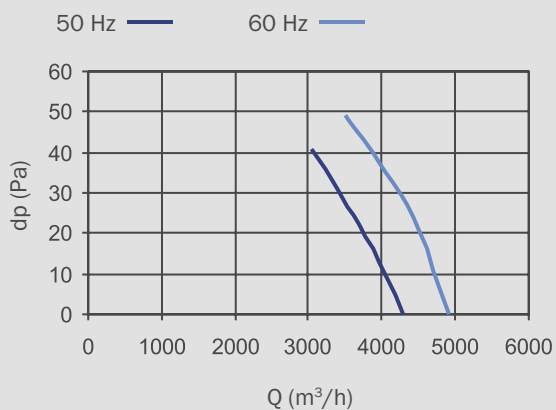
- »S«
- »B«

#### Type:

R13P-4535A-6M-5027  
R13P-4535P-6M-5027

Available on request

### Aerodynamic characteristic:



### Performance Data:

1~230V 50/60Hz

$P_1 = 195 / 240W$

$n = 910 / 1040\text{min}^{-1}$

$I = 1,0 / 1,05A$

$t_R = 50^\circ C$

$L_{wa} = 69 / 73\text{dB(A)}$

$C = 6,3\mu F / 450V$

Connection: terminal box

Ins.Cl. F

IP54

### Notes:

Fan characteristic measured in short bell mouth with guard grill

### Fan with guard grill

#### Airflow

#### Direction

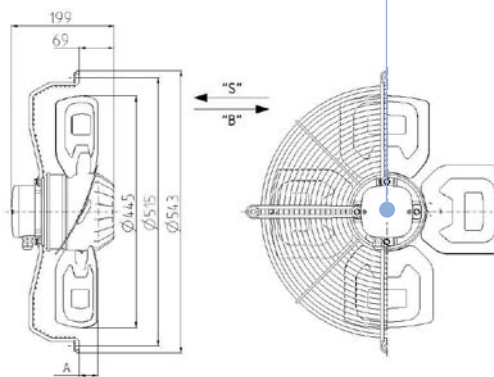
- »S«
- »B«

#### Type:

R13R-4535A-6M-5027  
R13R-4535P-6M-5027

#### Code:

0313-4-0045  
0313-4-0201



»S« Dimension A = 52 mm

»B« Dimension A = 71 mm

**Weight:**  
10 kg

### Fan without guard grill

#### Airflow

#### Direction

- »S«
- »B«

#### Type:

R13E-4535A-6M-5027  
R13E-4535P-6M-5027

Available on request

**Fan with wall plate****Airflow****Direction****Type:**

»S«

R13P-4530A-6T2-3525

»B«

R13P-4530P-6T2-3525

Available on request

R13\_-4530\_-6T2-3525

**Diameter:** 450 mm**Fan with guard grill****Airflow****Direction****Type:**

»S«

R13R-4530A-6T2-3525

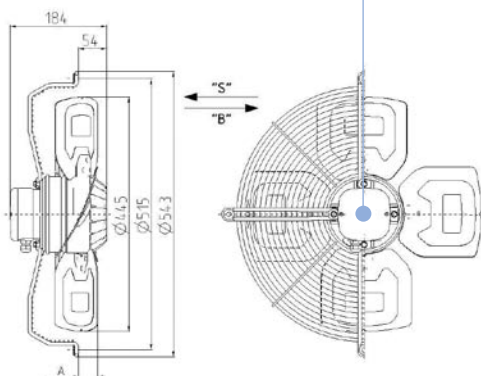
»B«

R13R-4530P-6T2-3525

**Code:**

0313-4-0037

0313-4-0112



»S« Dimension A = 43 mm

»B« Dimension A = 65 mm

**Weight:**

8,4 kg

**Fan without guard grill****Airflow****Direction****Type:**

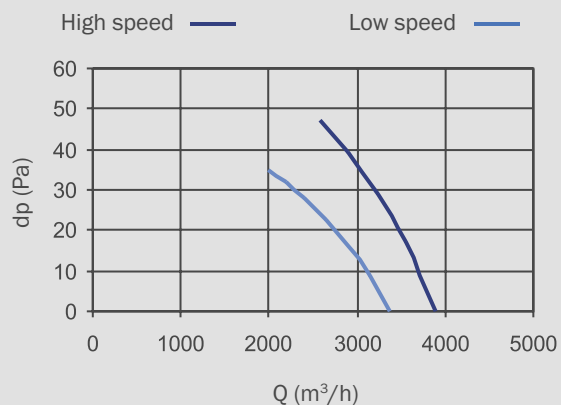
»S«

R13E-4530A-6T2-3525

»B«

R13E-4530P-6T2-3525

Available on request

**Aerodynamic characteristic:****Performance Data:**

3~400V D/Y 50Hz

 $P_1 = 120 / 85W$  $n = 915 / 770\text{min}^{-1}$  $I = 0,28 / 0,14A$  $t_R = 70^\circ C$  $L_{wa} = 68 / 63\text{dB(A)}$ 

Connection: terminal box

Ins.Cl. F

IP54

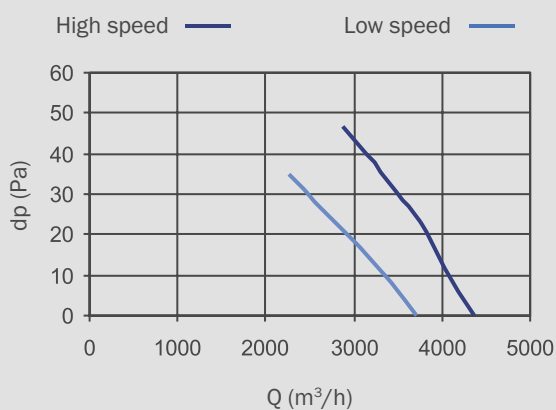
**Notes:**

Fan characteristic measured in short bell mouth with guard grill



**Diameter:** 450 mm

### Aerodynamic characteristic:



### Performance Data:

3~400V D/Y 50Hz

$P_1 = 160 / 110W$

$n = 915 / 765\text{min}^{-1}$

$I = 0,37 / 0,19A$

$t_R = 70^\circ\text{C}$

$L_{wa} = 69 / 64\text{dB(A)}$

Connection: terminal box

Ins.Cl. F

IP54

### Notes:

Fan characteristic measured in short bell mouth with guard grill

R13\_-4535\_-6T2-3526

### Fan with wall plate

#### Airflow

#### Direction

»S«

»B«

#### Type:

R13P-4535A-6T2-3526

R13P-4535P-6T2-3526

Available on request

### Fan with guard grill

#### Airflow

#### Direction

»S«

»B«

#### Type:

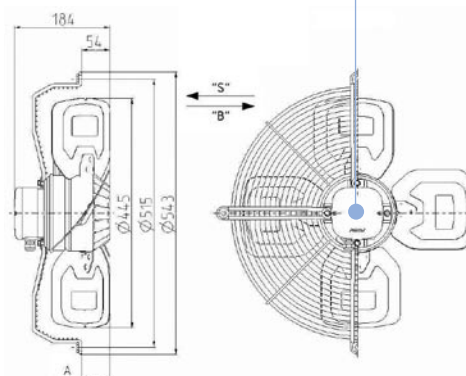
R13R-4535A-6T2-3526

R13R-4535P-6T2-3526

#### Code:

0313-4-0143

0313-4-0102



»S« Dimension A = 52 mm

»B« Dimension A = 71 mm

#### Weight:

8,4 kg

### Fan without guard grill

#### Airflow

#### Direction

»S«

»B«

R13E-4535A-6T2-3526

R13E-4535P-6T2-3526

Available on request

**Fan with wall plate****Airflow****Direction****Type:**

»S« R13P-5025A-4M-5009

»B« R13P-5025P-4M-5009

Available on request

R13\_-5025\_-4M-5009

**Diameter:** 500 mm**Fan with guard grill****Airflow****Direction****Type:**

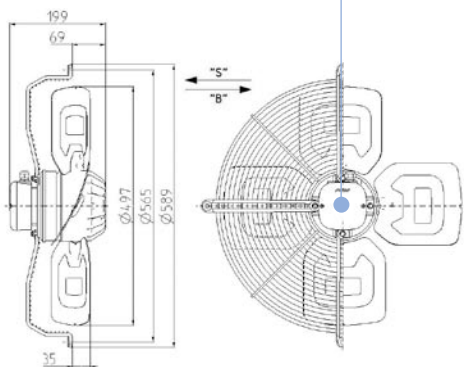
»S« R13R-5025A-4M-5009

»B« R13R-5025P-4M-5009

**Code:**

0313-4-0073

0313-4-0222



»S« Dimension A = 35 mm

»B« Dimension A = 57 mm

**Weight:**

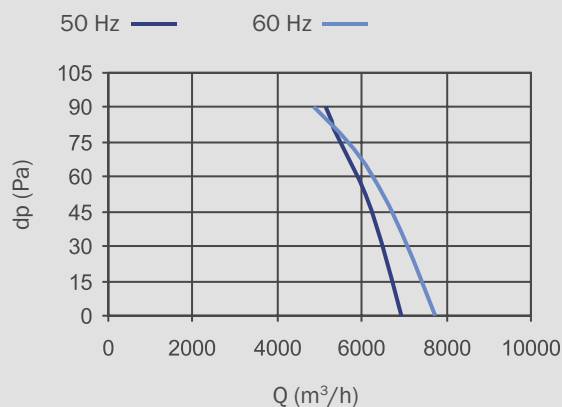
10,4 kg

**Fan without guard grill****Airflow****Direction****Type:**

»S« R13E-5025A-4M-5009

»B« R13E-5025P-4M-5009

Available on request

**Aerodynamic characteristic:****Performance Data:**

1~230V 50/60Hz

 $P_1 = 440 / 645W$  $n = 1340 / 1450min^{-1}$  $I = 2,0 / 2,9A$  $t_R = 70^\circ C$  $L_{wa} = 78 / 83dB(A)$  $C = 8\mu F / 450V$ 

Connection: terminal box

Ins.Cl. F

IP54

**Notes:**

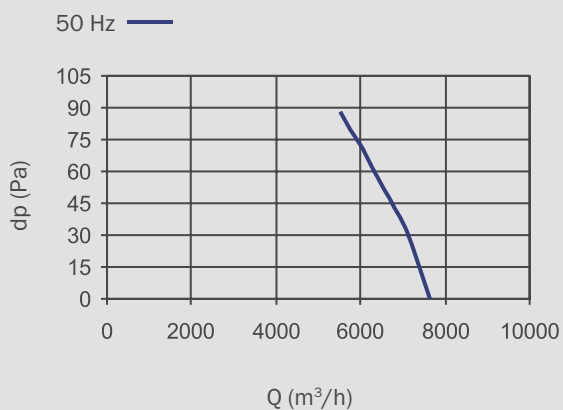
Fan characteristic measured in short bell mouth with guard grill





**Diameter:** 500 mm

#### Aerodynamic characteristic:



#### Performance Data:

1~230V 50Hz

$P_1 = 545W$

$n = 1320\text{min}^{-1}$

$I = 2,4A$

$t_R = 70^\circ\text{C}$

$L_{wa} = 82\text{dB(A)}$

$C = 10\mu\text{F} / 450V$

Connection: terminal box

Ins.Cl. F

IP54

#### Notes:

Fan characteristic measured in short bell mouth with guard grill

R13\_5030\_4M-7012

#### Fan with wall plate

##### Airflow

##### Direction Type:

»S«

R13P-5030A-4M-7012

»B«

R13P-5030P-4M-7012

Available on request

#### Fan with guard grill

##### Airflow

##### Direction Type:

»S«

R13R-5030A-4M-7012

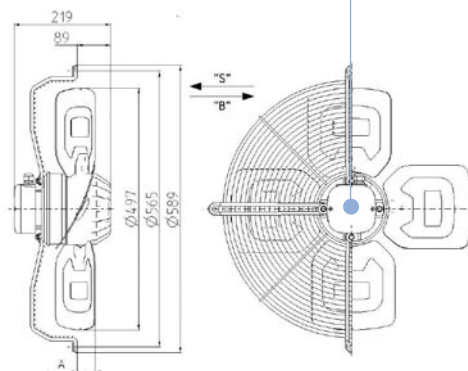
»B«

R13R-5030P-4M-7012

##### Code:

0313-4-0011

0313-4-0062



»S« Dimension A = 43 mm

»B« Dimension A = 65 mm

##### Weight:

12,5 kg

#### Fan without guard grill

##### Airflow

##### Direction Type:

»S«

R13E-5030A-4M-7012

»B«

R13E-5030P-4M-7012

Available on request

**Fan with wall plate****Airflow****Direction****Type:**

»S« R13P-5025A-4T2-5004  
 »B« R13P-5025P-4T2-5004

Available on request

R13\_-5025\_-4T2-5004



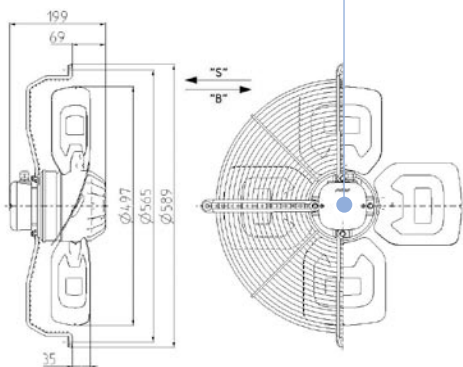
**Diameter:** 500 mm

**Fan with guard grill****Airflow****Direction****Type:**

»S« R13R-5025A-4T2-5004  
 »B« R13R-5025P-4T2-5004

**Code:**

0313-4-0137  
 0313-4-0158



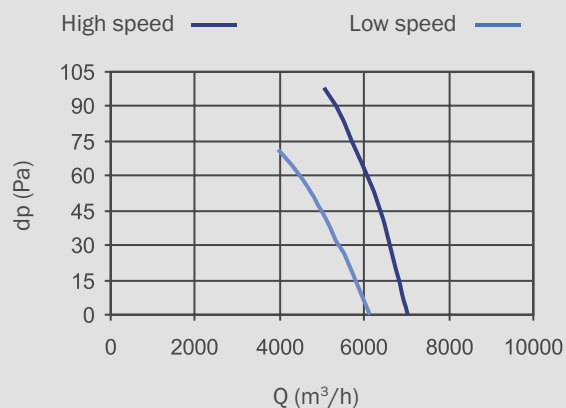
»S« Dimension A = 35 mm  
 »B« Dimension A = 57 mm

**Weight:**  
 10,4 kg

**Fan without guard grill****Airflow****Direction****Type:**

»S« R13E-5025A-4T2-5004  
 »B« R13E-5025P-4T2-5004

Available on request

**Aerodynamic characteristic:****Performance Data:**

3~400V D/Y 50Hz  
 $P_1 = 455 / 325W$   
 $n = 1380 / 1150min^{-1}$   
 $I = 0,95 / 0,53A$   
 $t_R = 50^\circ C$   
 $L_{wa} = 78 / 74dB(A)$   
 Connection: terminal box  
 Ins.Cl. F  
 IP54

**Notes:**

Fan characteristic measured in short bell mouth with guard grill



**Diameter:** 500 mm

R13\_5030\_4T2-7002

### Fan with wall plate

#### Airflow

#### Direction

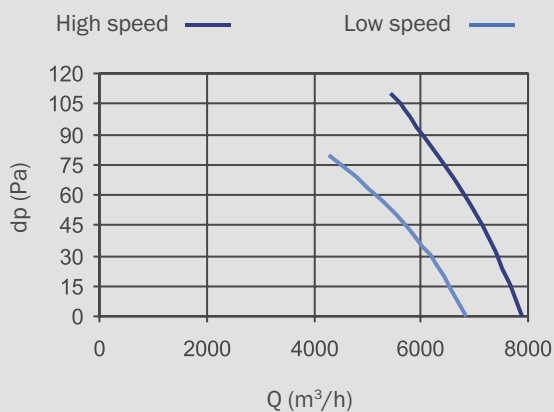
- »S«
- »B«

#### Type:

R13P-5030A-4T2-7002  
R13P-5030P-4T2-7002

Available on request

### Aerodynamic characteristic:



### Performance Data:

3~400V D/Y 50Hz

$P_1 = 560 / 410W$

$n = 1380 / 1170\text{min}^{-1}$

$I = 1,15 / 0,66A$

$t_R = 70^\circ C$

$L_{wa} = 81 / 75\text{dB(A)}$

Connection: terminal box

Ins.Cl. F

IP54

### Notes:

Fan characteristic measured in short bell mouth with guard grill

### Fan with guard grill

#### Airflow

#### Direction

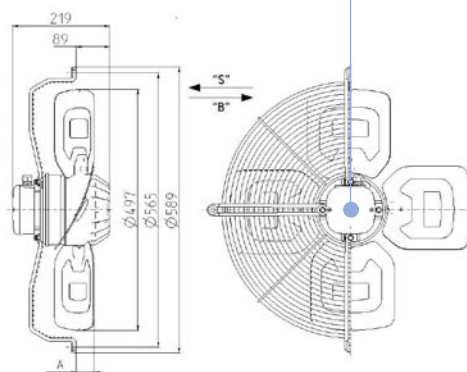
- »S«
- »B«

#### Type:

R13R-5030A-4T2-7002  
R13R-5030P-4T2-7002

#### Code:

0313-4-0006  
0313-4-0097



»S« Dimension A = 43 mm

»B« Dimension A = 65 mm

**Weight:**  
12,5 kg

### Fan without guard grill

#### Airflow

#### Direction

- »S«
- »B«

#### Type:

R13E-5030A-4T2-7002  
R13E-5030P-4T2-7002

Available on request

**Fan with wall plate****Airflow****Direction****Type:**

- »S« R13P-5035A-4T2-7002  
 »B« R13P-5035P-4T2-7002

Available on request

R13\_-5035\_-4T2-7002



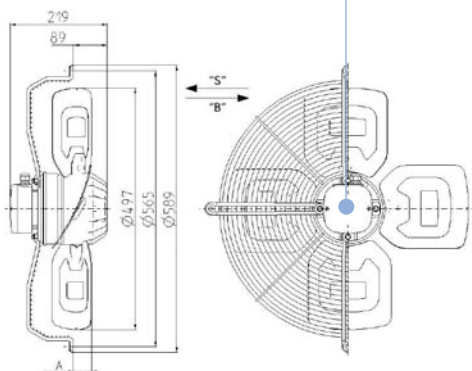
**Diameter:** 500 mm

**Fan with guard grill****Airflow****Direction****Type:**

- »S« R13R-5035A-4T2-7002  
 »B« R13R-5035P-4T2-7002

**Code:**

- 0313-4-0005  
 0313-4-0249



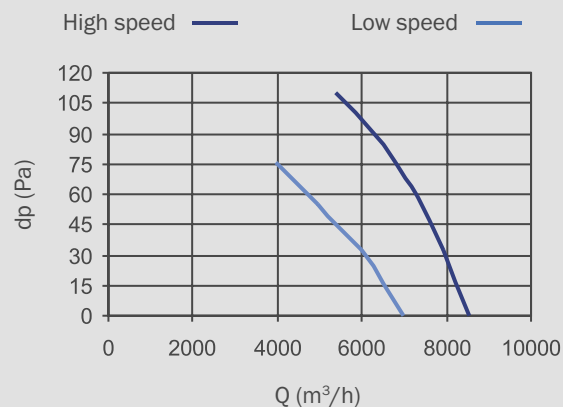
- »S« Dimension A = 52 mm  
 »B« Dimension A = 71 mm

**Weight:**  
 12,5 kg

**Fan without guard grill****Airflow****Direction****Type:**

- »S« R13E-5035A-4T2-7002  
 »B« R13E-5035P-4T2-7002

Available on request

**Aerodynamic characteristic:****Performance Data:**

3~400V D/Y 50Hz  
 $P_1 = 695 / 480W$   
 $n = 1340 / 1070min^{-1}$   
 $I = 1,3 / 0,78A$   
 $t_R = 60^\circ C$   
 $Lwa = 82 / 75dB(A)$   
 Connection: terminal box  
 Ins.Cl. F  
 IP54

**Notes:**

Fan characteristic measured in short bell mouth with guard grill



**Diameter:** 500 mm

R13\_-5035\_-6M-5027

### Fan with wall plate

#### Airflow

#### Direction

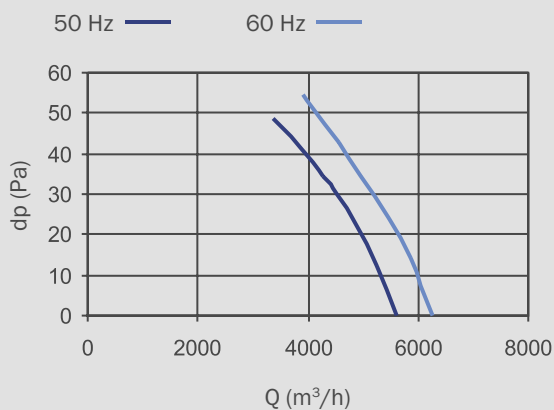
- »S«
- »B«

#### Type:

R13P-5035A-6M-5027  
R13P-5035P-6M-5027

Available on request

### Aerodynamic characteristic:



### Performance Data:

1~230V 50/60Hz

$P_1 = 255 / 335W$

$n = 870 / 960\text{min}^{-1}$

$I = 1,1 / 1,45A$

$t_R = 50^\circ C$

$L_{wa} = 72 / 76\text{dB(A)}$

$C = 8\mu F / 450V$

Connection: terminal box

Ins.Cl. F

IP54

### Notes:

Fan characteristic measured in short bell mouth with guard grill

### Fan with guard grill

#### Airflow

#### Direction

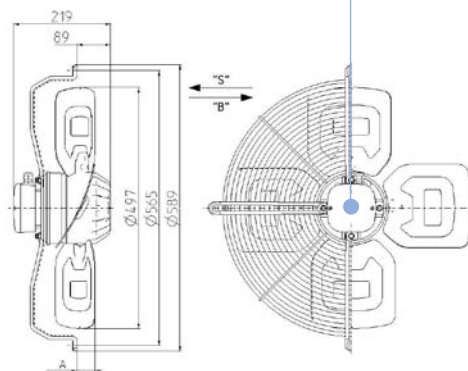
- »S«
- »B«

#### Type:

R13R-5035A-6M-5027  
R13R-5035P-6M-5027

#### Code:

0313-4-0047  
0313-4-0068



»S« Dimension A = 52 mm

»B« Dimension A = 71 mm

**Weight:**  
10,4 kg

### Fan without guard grill

#### Airflow

#### Direction

- »S«
- »B«

#### Type:

R13E-5035A-6M-5027  
R13E-5035P-6M-5027

Available on request

**Fan with wall plate****Airflow****Direction****Type:**

- »S« R13P-5035A-6T2-5016  
 »B« R13P-5035P-6T2-5016

Available on request

R13\_-5035\_-6T2-5016



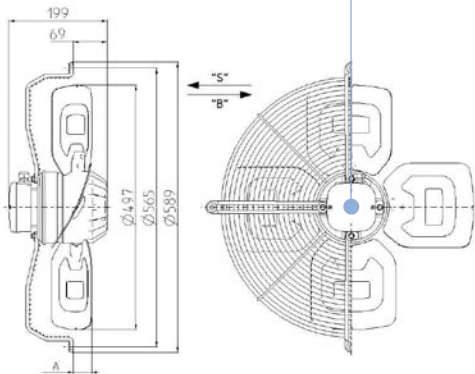
**Diameter:** 500 mm

**Fan with guard grill****Airflow****Direction****Type:**

- »S« R13R-5035A-6T2-5016  
 »B« R13R-5035P-6T2-5016

**Code:**

- 0313-4-0127  
 0313-4-0089



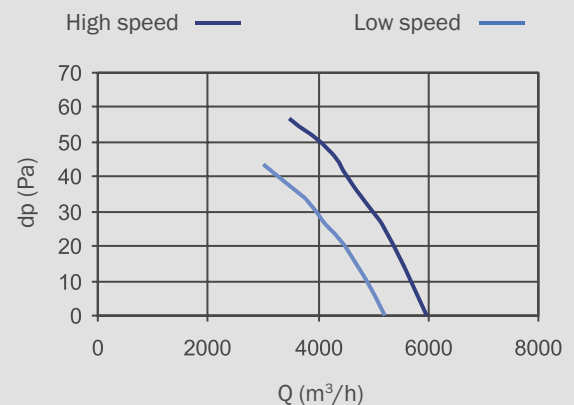
- »S« Dimension A = 52 mm  
 »B« Dimension A = 71 mm

**Weight:**  
 10,4 kg

**Fan without guard grill****Airflow****Direction****Type:**

- »S« R13E-5035A-6T2-5016  
 »B« R13E-5035P-6T2-5016

Available on request

**Aerodynamic characteristic:****Performance Data:**

3~400V D/Y 50Hz  
 $P_1 = 250 / 185W$   
 $n = 930 / 800min^{-1}$   
 $I = 0,65 / 0,32A$   
 $t_R = 60^{\circ}C$   
 $Lwa = 73 / 67dB(A)$   
 Connection: terminal box  
 Ins.Cl. F  
 IP54

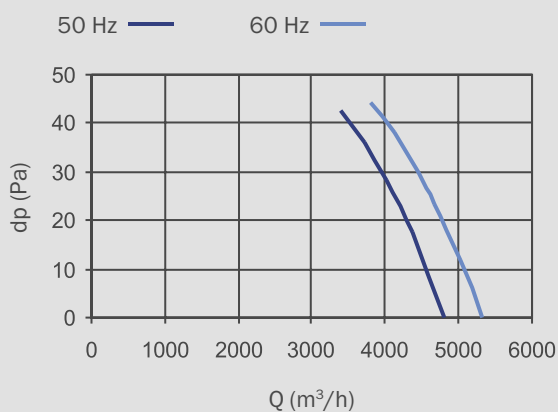
**Notes:**

Fan characteristic measured in short bell mouth with guard grill



**Diameter:** 500 mm

#### Aerodynamic characteristic:



#### Performance Data:

1~230V 50/60Hz  
 $P_1 = 180 / 220W$   
 $n = 890 / 980min^{-1}$   
 $I = 0,78 / 0,95A$   
 $t_R = 60 / 55^{\circ}C$   
 $L_{wa} = 71 / 75dB(A)$   
 $C = 6,3\mu F / 450V$   
 Connection: cable  
 Ins.Cl. F  
 IP54

#### Notes:

Fan characteristic measured in short bell mouth with guard grill

R11\_50EFA-6M-5727

#### Fan with wall plate

##### Airflow

##### Direction

»S«

##### Type:

R11P-50EFA-6M-5716

Available on request

#### Fan with guard grill

##### Airflow

##### Direction

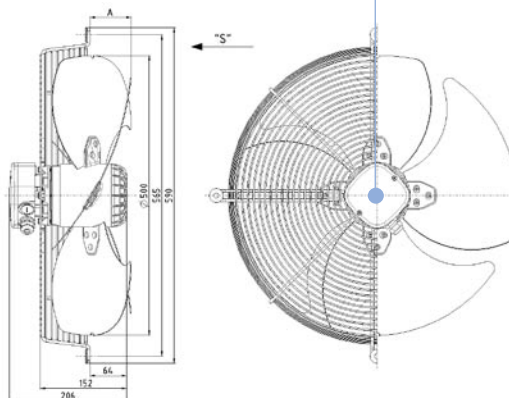
»S«

##### Type:

R11R-50EFA-6M-5716

##### Code:

0311-4-0115



**Weight:**  
6,8 kg

#### Fan without guard grill

##### Airflow

##### Direction

»S«

##### Type:

R11E-50EFA-6M-5716

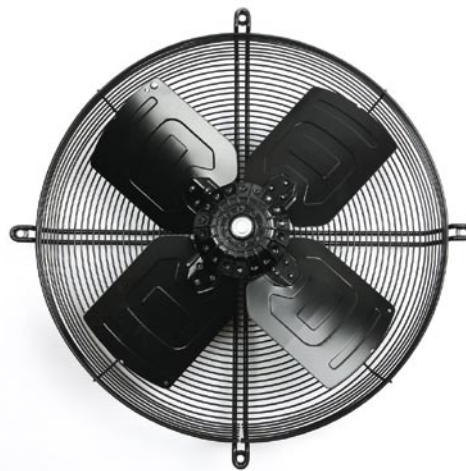
Available on request

**Fan with wall plate****Airflow****Direction****Type:**

- »S« R13P-5625A-4T2-7002  
 »B« R13P-5625P-4T2-7002

Available on request

R13\_-5625\_-4T2-7002



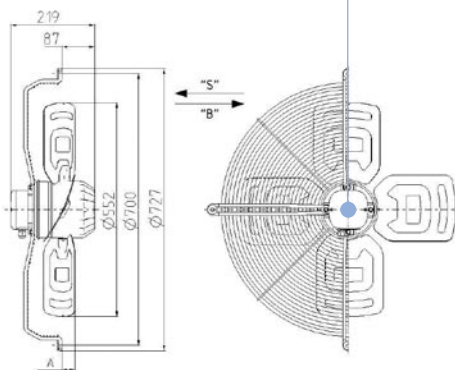
**Diameter:** 560 mm

**Fan with guard grill****Airflow****Direction****Type:**

- »S« R13R-5625A-4T2-7002  
 »B« R13R-5625P-4T2-7002

**Code:**

- 0313-4-0001  
 0313-4-0052



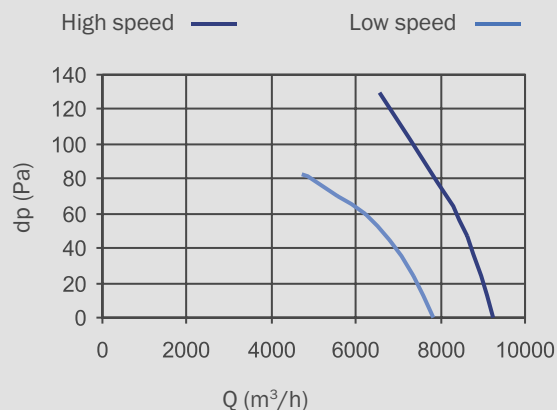
- »S« Dimension A = 35 mm  
 »B« Dimension A = 57 mm

**Weight:**  
 14 kg

**Fan without guard grill****Airflow****Direction****Type:**

- »S« R13E-5625A-4T2-7002  
 »B« R13E-5625P-4T2-7002

Available on request

**Aerodynamic characteristic:****Performance Data:**

3~400V D/Y 50Hz  
 $P_1 = 670 / 450W$   
 $n = 1360 / 1130min^{-1}$   
 $I = 1,3 / 0,73A$   
 $t_R = 60^\circ C$   
 $Lwa = 83 / 76dB(A)$   
 Connection: terminal box  
 Ins.Cl. F  
 IP54

**Notes:**

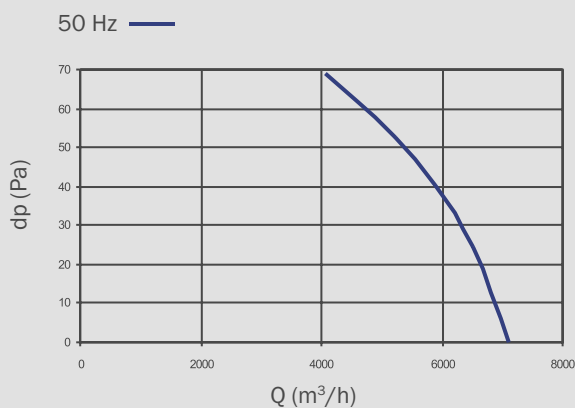
Fan characteristic measured in short bell mouth with guard grill





**Diameter:** 560 mm

### Aerodynamic characteristic:



### Performance Data:

1~230V 50Hz

$P_1 = 360W$

$n = 900\text{min}^{-1}$

$I = 1,65A$

$t_R = 50^\circ C$

$L_{wa} = 73\text{dB(A)}$

$C = 12,5\mu F / 450V$

Connection: terminal box

Ins.Cl. F

IP54

### Notes:

Fan characteristic measured in short bell mouth with guard grill

R13\_-5630\_-6M-7019

### Fan with wall plate

#### Airflow

#### Direction

»S«

»B«

#### Type:

R13P-5630A-6M-7019

R13P-5630P-6M-7019

Available on request

### Fan with guard grill

#### Airflow

#### Direction

»S«

»B«

#### Type:

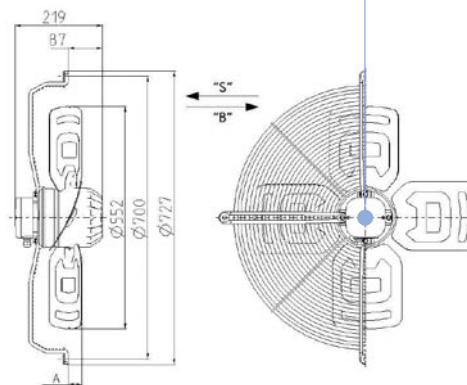
R13R-5630A-6M-7019

R13R-5630P-6M-7019

#### Code:

0313-4-0024

0313-4-0086



»S« Dimension A = 43 mm

»B« Dimension A = 65 mm

#### Weight:

14 kg

### Fan without guard grill

#### Airflow

#### Direction

»S«

»B«

#### Type:

R13E-5630A-6M-7019

R13E-5630P-6M-7019

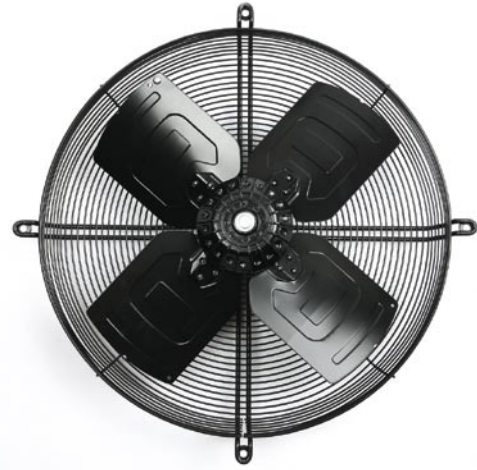
Available on request

**Fan with wall plate****Airflow****Direction****Type:**

»S« R13P-5630A-6T2-5016  
 »B« R13P-5630P-6T2-5016

Available on request

R13\_-5630\_-6T2-5016



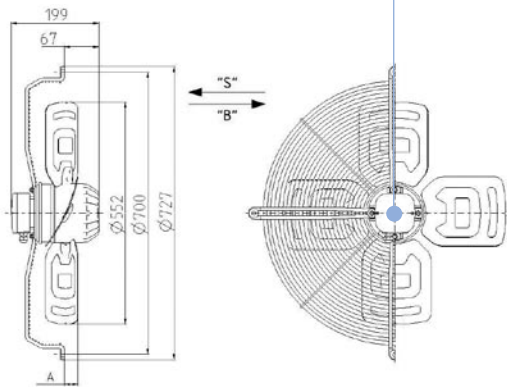
**Diameter:** 560 mm

**Fan with guard grill****Airflow****Direction****Type:**

»S« R13R-5630A-6T2-5016  
 »B« R13R-5630P-6T2-5016

**Code:**

0313-4-0029  
 0313-4-0080



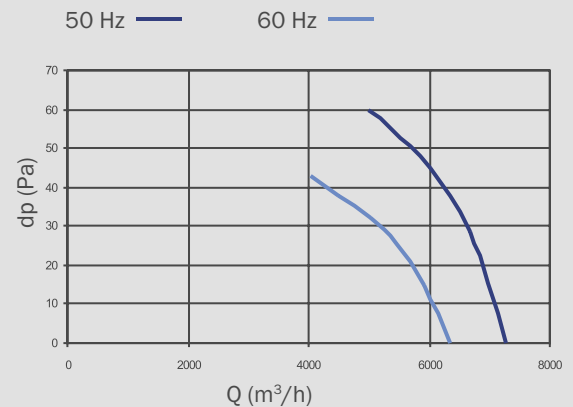
»S« Dimension A = 43 mm  
 »B« Dimension A = 65 mm

**Weight:**  
 11,9 kg

**Fan without guard grill****Airflow****Direction****Type:**

»S« R13E-5630A-6T2-5016  
 »B« R13E-5630P-6T2-5016

Available on request

**Aerodynamic characteristic:****Performance Data:**

3~400V D/Y 50Hz  
 $P_1 = 305 / 210W$   
 $n = 920 / 780\text{min}^{-1}$   
 $I = 0,7 / 0,36A$   
 $t_R = 60^\circ C$   
 $L_{wa} = 72 / 68\text{dB(A)}$   
 Connection: terminal box  
 Ins.Cl. F  
 IP54

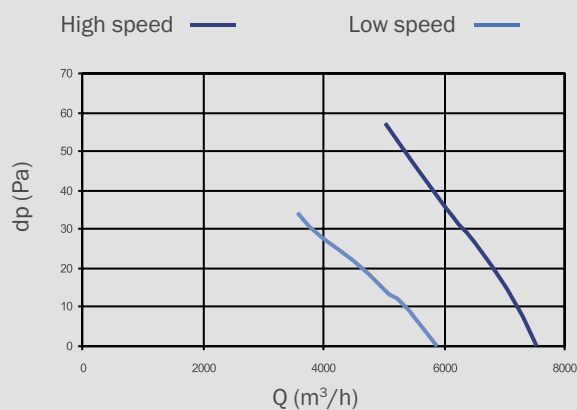
**Notes:**

Fan characteristic measured in short bell mouth with guard grill



**Diameter:** 560 mm

### Aerodynamic characteristic:



### Performance Data:

3~400V D/Y 50Hz  
 $P_1 = 345 / 215W$   
 $n = 870 / 660\text{min}^{-1}$   
 $I = 0,63 / 0,36A$   
 $t_R = 70^\circ C$   
 $Lwa = 74 / 67\text{dB(A)}$   
 Connection: terminal box  
 Ins.Cl. F  
 IP54

### Notes:

Fan characteristic measured in short bell mouth with guard grill

R13\_-5635\_-6T2-7021

### Fan with wall plate

#### Airflow

#### Direction

- »S«
- »B«

#### Type:

R13P-5635A-6T2-7021  
 R13P-5635P-6T2-7021

Available on request

### Fan with guard grill

#### Airflow

#### Direction

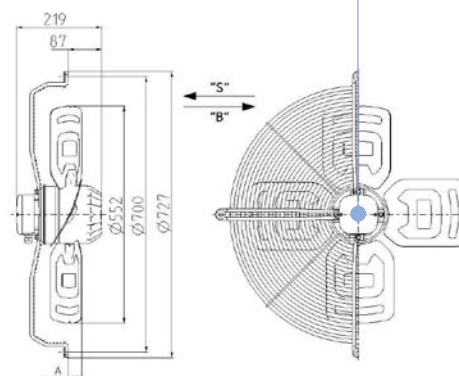
- »S«
- »B«

#### Type:

R13R-5635A-6T2-7021  
 R13R-5635P-6T2-7021

#### Code:

0313-4-0065  
 0313-4-0079



- »S« Dimension A = 52 mm
- »B« Dimension A = 71 mm

**Weight:**  
14 kg

### Fan without guard grill

#### Airflow

#### Direction

- »S«
- »B«

#### Type:

R13E-5635A-6T2-7021  
 R13E-5635P-6T2-7021

Available on request

**Fan with wall plate****Airflow****Direction****Type:**

- »S« R13P-6325A-6M-7019
- »B« R13P-6325P-6M-7019

Available on request

R13\_-6325\_-6M-7019



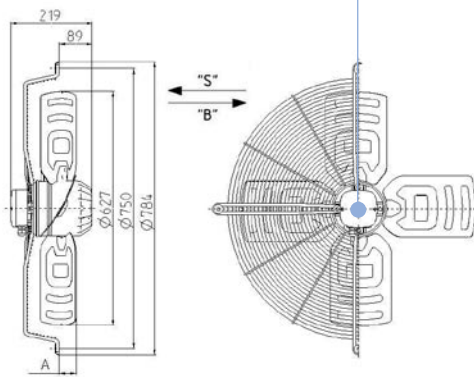
**Diameter:** 630 mm

**Fan with guard grill****Airflow****Direction****Type:**

- »S« R13R-6325A-6M-7019
- »B« R13R-6325P-6M-7019

**Code:**

- 0313-4-0091
- 0313-4-0105



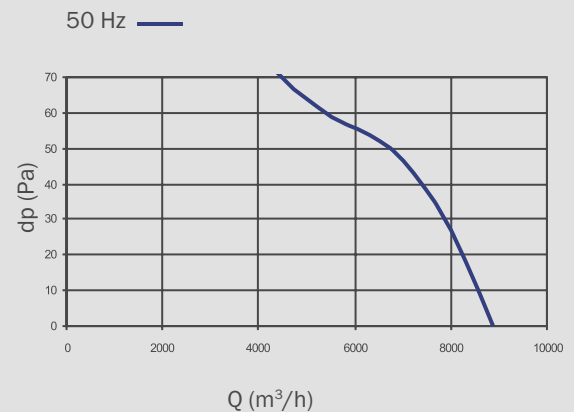
- »S« Dimension A = 37 mm
- »B« Dimension A = 57 mm

**Weight:**  
14,6 kg

**Fan without guard grill****Airflow****Direction****Type:**

- »S« R13E-6325A-6M-7019
- »B« R13E-6325P-6M-7019

Available on request

**Aerodynamic characteristic:****Performance Data:**

1~230V 50Hz

$P_1 = 400W$

$n = 925\text{min}^{-1}$

$I = 1,8A$

$t_R = 50^\circ C$

$L_{wa} = 70\text{dB(A)}$

$C = 12,5\mu F / 450V$

Connection: terminal box

Ins.Cl. F

IP54

**Notes:**

Fan characteristic measured in short bell mouth with guard grill



**Diameter:** 630 mm

R13\_-6330\_-6T2-7021

#### Fan with wall plate

##### Airflow

##### Direction

»S«

»B«

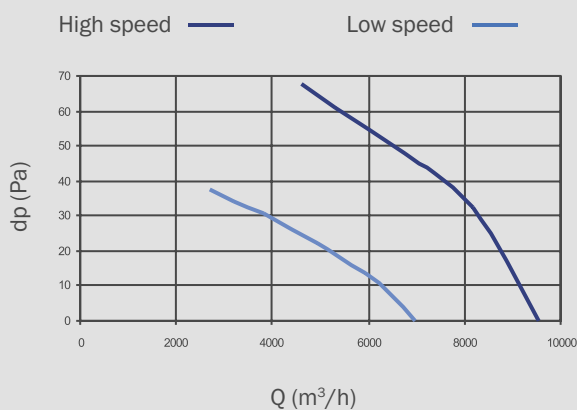
##### Type:

R13P-6330A-6T2-7021

R13P-6330P-6T2-7021

Available on request

#### Aerodynamic characteristic:



#### Performance Data:

3~400V D/Y 50Hz

$P_1 = 390 / 225W$

$n = 840 / 590\text{min}^{-1}$

$I = 0,66 / 0,38A$

$t_R = 70^\circ\text{C}$

$L_{wa} = 78 / 69\text{dB(A)}$

Connection: terminal box

Ins.Cl. F

IP54

#### Notes:

Fan characteristic measured in short bell mouth with guard grill

#### Fan with guard grill

##### Airflow

##### Direction

»S«

»B«

##### Type:

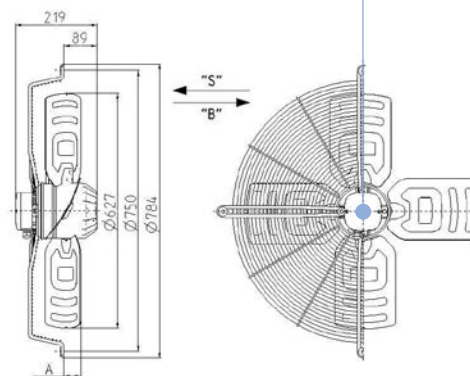
R13R-6330A-6T2-7021

R13R-6330P-6T2-7021

##### Code:

0313-4-0050

0313-4-0048



»S« Dimension A = 43 mm

»B« Dimension A = 65 mm

##### Weight:

14,6 kg

#### Fan without guard grill

##### Airflow

##### Direction

»S«

»B«

##### Type:

R13E-6330A-6T2-7021

R13E-6330P-6T2-7021

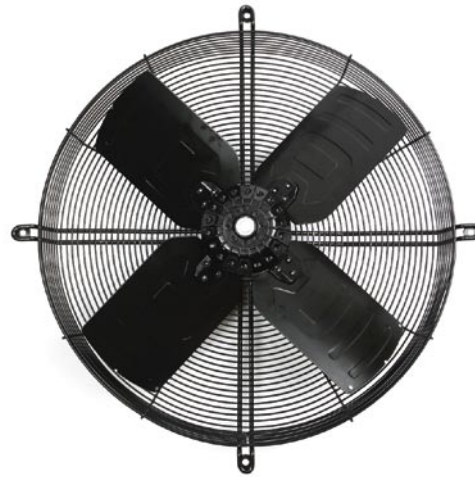
Available on request

**Fan with wall plate****Airflow****Direction****Type:**

- »S« R13P-6335A-6T2-7007
- »B« R13P-6335P-6T2-7007

Available on request

R13\_-6335\_-6T2-7007



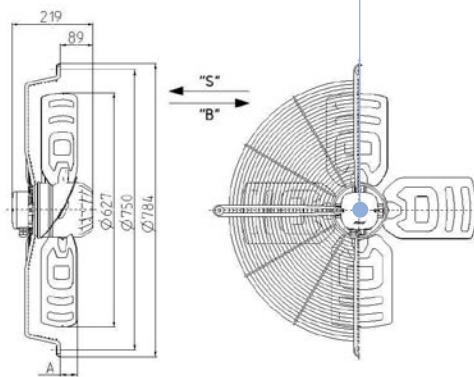
**Diameter:** 630 mm

**Fan with guard grill****Airflow****Direction****Type:**

- »S« R13R-6335A-6T2-7007
- »B« R13R-6335P-6T2-7007

**Code:**

- 0313-4-0049
- 0313-4-0154



- »S« Dimension A = 52 mm
- »B« Dimension A = 71 mm

**Weight:**  
14,6 kg

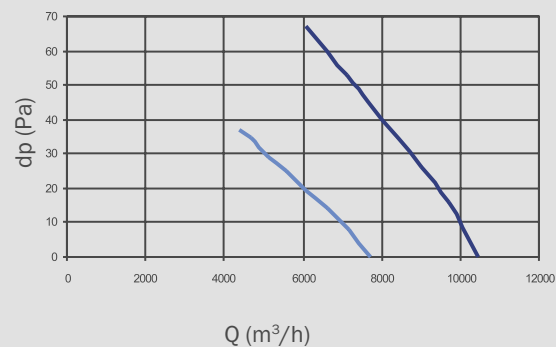
**Fan without guard grill****Airflow****Direction****Type:**

- »S« R13E-6335A-6T2-7007
- »B« R13E-6335P-6T2-7007

Available on request

**Aerodynamic characteristic:**

High speed — Low speed —

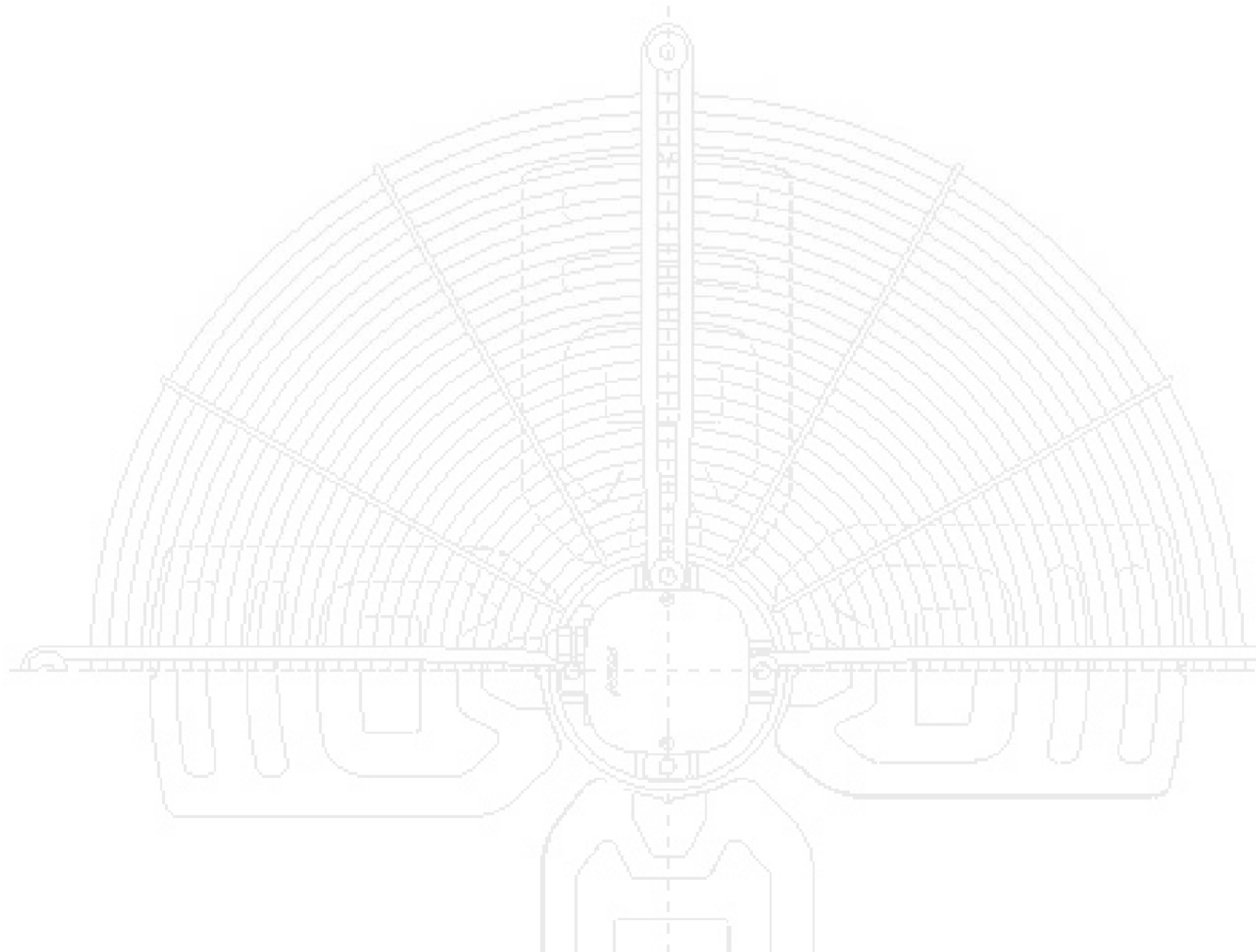
**Performance Data:**

3~400V D/Y 50Hz  
 $P_1 = 560 / 340W$   
 $n = 840 / 620\text{min}^{-1}$   
 $I = 1,05 / 0,55A$   
 $t_R = 55^\circ C$   
 $L_{wa} = 79 / 71\text{dB(A)}$   
 Connection: terminal box  
 Ins.Cl. F  
 IP54

**Notes:**

Fan characteristic measured in short bell mouth with guard grill







### Example of type key for Centrifugal Fans

#### **R09T-1945D-2M2-1511**

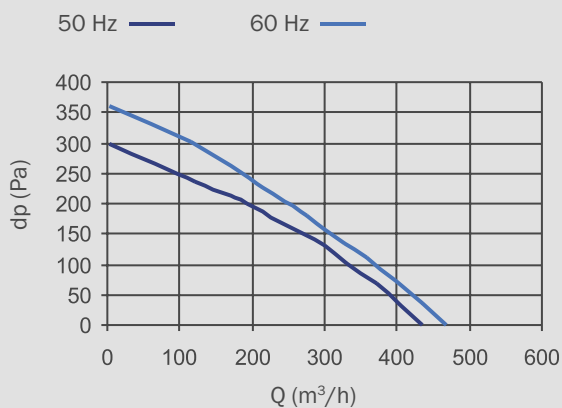
<b>R09</b>	External rotor motor type
<b>T</b>	Blade type (T-backward curved, C-forward curved)
<b>19</b>	Fan diameter x 10 (exact diameters are stated in drawings)
<b>45</b>	Blade width
<b>D</b>	Direction of rotation
<b>2</b>	Number of poles
<b>M</b>	Number of phases (M-single phase, T-three phase)
<b>2</b>	Number of speeds
<b>42</b>	Motor stack height
<b>11</b>	Electrical design



# Centrifugal Fans



R09T-1945D-2M-1511

**Diameter:** 190 mm**Aerodynamic characteristic:****Performance Data:**

1~230V 50/60Hz

 $P_1 = 50 / 63\text{W}$  $n = 2400 / 2530\text{min}^{-1}$  $I = 0,21 / 0,27\text{A}$  $t_R = 50^\circ\text{C}$ 

Lwa = 60/ 62dB(A)

C = 2uF / 450V

Connection: cable

Ins.Cl. F

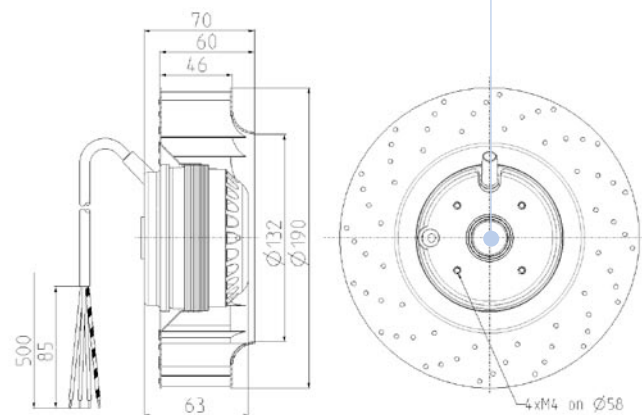
IP44

**Backward curved****Type:**

R09T-1945D-2M-1511

**Code:**

0309-4-0079

**Weight:**

1,4 kg

R09\_-2250D-2M-3510

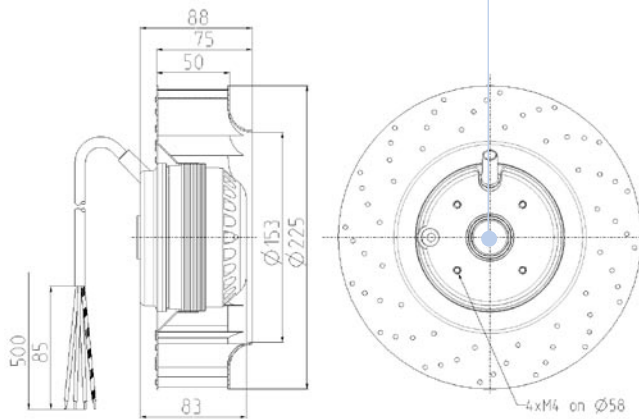


Diameter: 225 mm

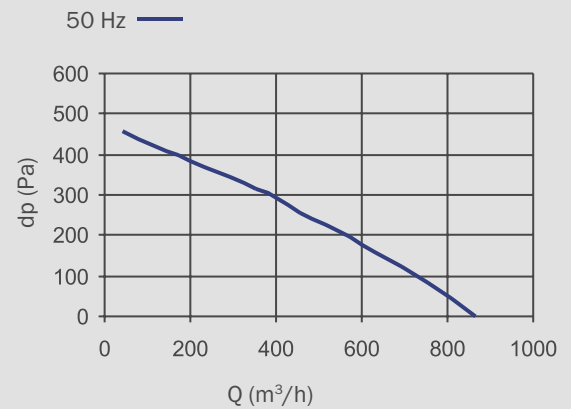
**Backward curved**

**Type:**  
R09T-2250D-2M-3510

**Code:**  
0309-4-0066



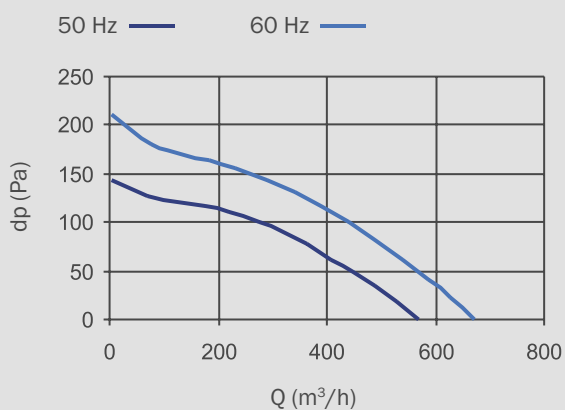
**Weight:**  
2,5 kg

**Aerodynamic characteristic:****Performance Data:**

1~230V 50Hz  
 $P_1 = 98W$   
 $n = 2450\text{min}^{-1}$   
 $I = 0,42A$   
 $t_R = 50^\circ C$   
 $L_{wa} = 70\text{dB(A)}$   
 $C = 3,15\mu F / 450V$   
 Connection: cable  
 Ins.Cl. F  
 IP44



R09\_-2263D-4M-2502

**Diameter:** 225 mm**Aerodynamic characteristic:****Performance Data:**

1~230V 50/60Hz

 $P_1 = 50 / 54\text{W}$  $n = 1390 / 1630\text{min}^{-1}$  $I = 0,24 / 0,24\text{A}$  $t_R = 50 / 70^\circ\text{C}$ 

Lwa = 64/ 68dB(A)

C = 1,5uF / 450V

Connection: cable

Ins.Cl. F

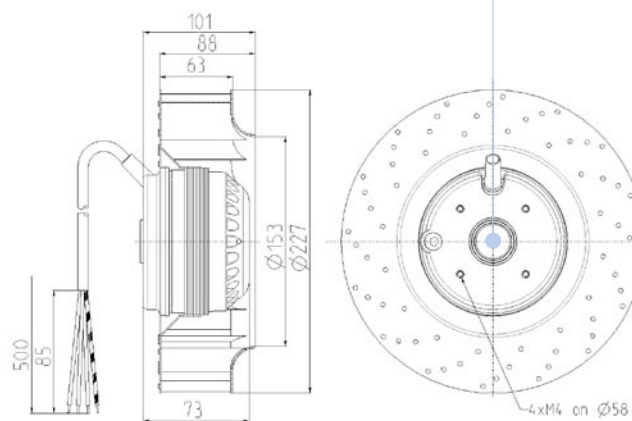
IP44

**Backward curved****Type:**

R09T-2263D-4M-2502

**Code:**

0309-4-0267

**Weight:**

2,3 kg

R09\_-2540D-2M-3510



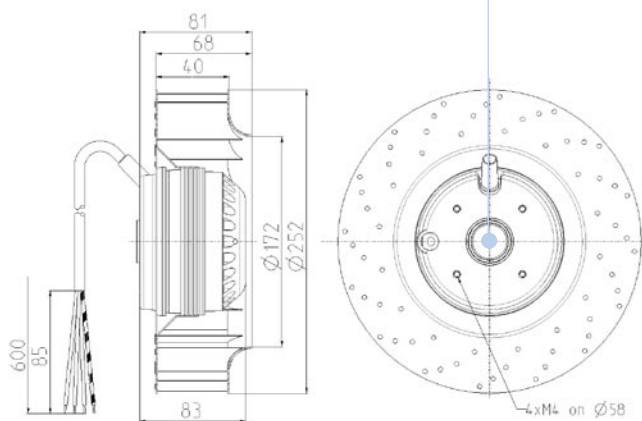
Diameter: 250 mm

**Backward curved****Type:**

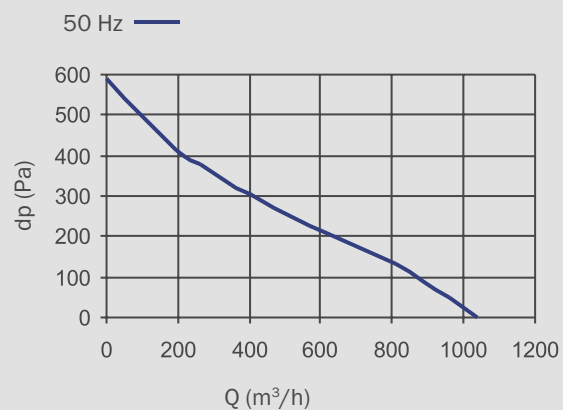
R09T-2540D-2M-3510

**Code:**

0309-4-0025

**Weight:**

2,6 kg

**Aerodynamic characteristic:****Performance Data:**

1~230V 50Hz

 $P_1 = 120W$  $n = 2350\text{min}^{-1}$  $I = 0,52A$  $t_R = 50^\circ C$  $L_{wa} = 72\text{dB(A)}$  $C = 4\mu F / 450V$ 

Connection: cable

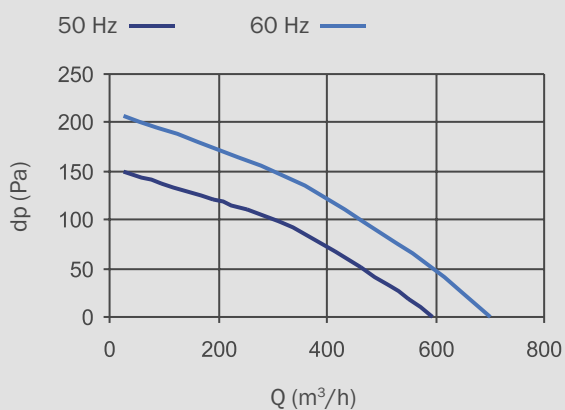
Ins.Cl. F

IP44



R09\_-2540D-4M-2502

Diameter: 250 mm

**Aerodynamic characteristic:****Performance Data:**

1~230V 50/60Hz

 $P_1 = 43 / 50\text{W}$  $n = 1380 / 1600\text{min}^{-1}$  $I = 0,20 / 0,21\text{A}$  $t_R = 45 / 50^\circ\text{C}$ 

Lwa = 65/ 68dB(A)

C = 1,5uF / 450V

Connection: cable

Ins.Cl. F

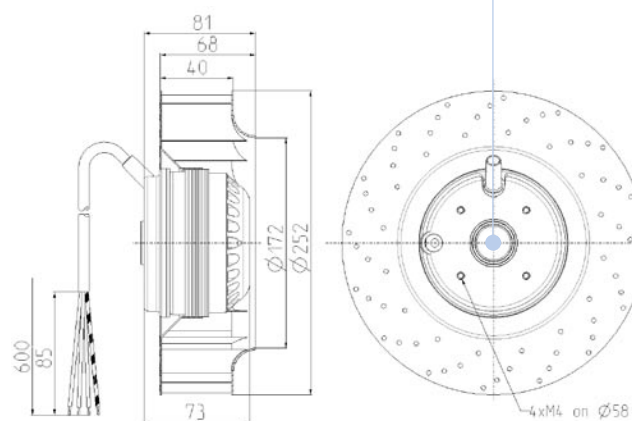
IP44

**Backward curved****Type:**

R09T-2540D-4M-2502

**Code:**

0309-4-0065

**Weight:**

2,1 kg

R09\_-2558D-4M-2502

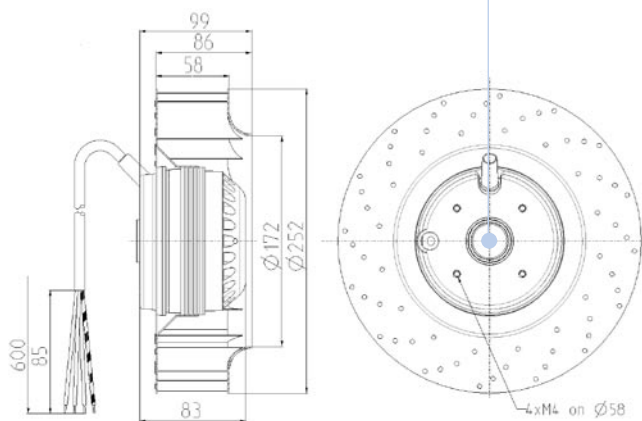


Diameter: 250 mm

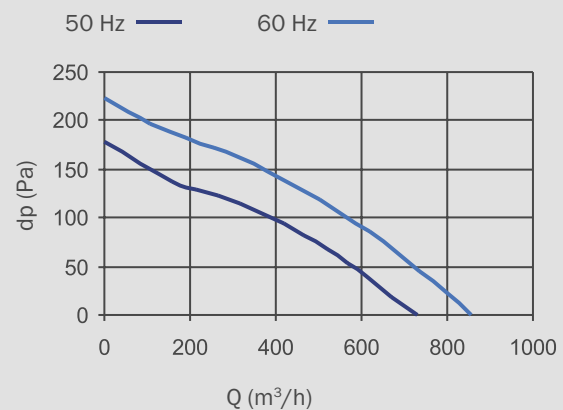
**Backward curved**

**Type:**  
R09T-3558D-4M-2502

**Code:**  
0309-4-0266



**Weight:**  
2,3 kg

**Aerodynamic characteristic:****Performance Data:**

1~230V 50/60Hz  
 $P_1 = 50 / 55W$   
 $n = 1360 / 1560\text{min}^{-1}$   
 $I = 0,24 / 0,24A$   
 $t_R = 50 / 70^\circ C$   
 $L_{wa} = 66 / 70\text{dB(A)}$   
 $C = 1,5\mu F / 450V$   
 Connection: cable  
 Ins.Cl. F  
 IP44





R09X-2M-1533

**Diameter:** 150 mm**Performance Data:**

1~230V 50Hz

 $P_1 = 28W$  $n = 2500 \text{ min}^{-1}$  $I = 0,12A$  $C = 1\mu F / 450V$ 

Connection: cable

Ins.Cl. F

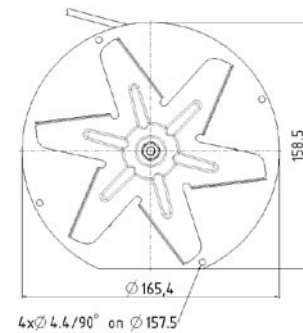
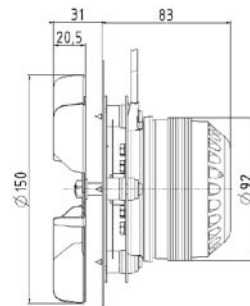
IP44

**Type:**

R09X-2M-1533

**Code:**

0309-4-0155

**Weight:**

1,9 kg

**Notes:**

On request, this fan is available also with Hall sensor.

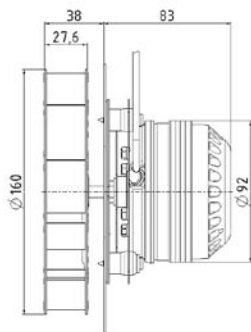
R09X-2M-1533



**Diameter:** 160 mm

**Type:**  
R09X-2M-1533

**Code:**  
0309-4-0312



**Weight:**  
1,9 kg

**Performance Data:**

1~230V 50Hz

$P_1 = 35W$

$n = 2350 \text{ min}^{-1}$

$I = 0,15A$

$C = 1\mu F / 450V$

Connection: cable

Ins.Cl. F

IP44

**Notes:**

On request, this fan is available also with Hall sensor.



R09X-2M-2514

**Diameter:** 180 mm**Performance Data:**

1~230V 50Hz

 $P_1 = 80W$  $n = 2450 \text{ min}^{-1}$  $I = 0,36A$  $C = 2,5\mu F / 450V$ 

Connection: cable

Ins.Cl. F

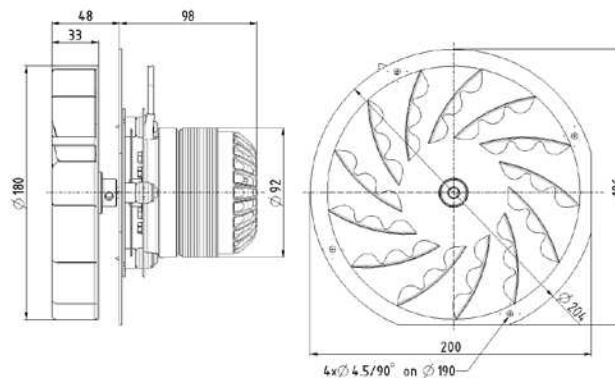
IP44

**Type:**

R09X-2M-2514

**Code:**

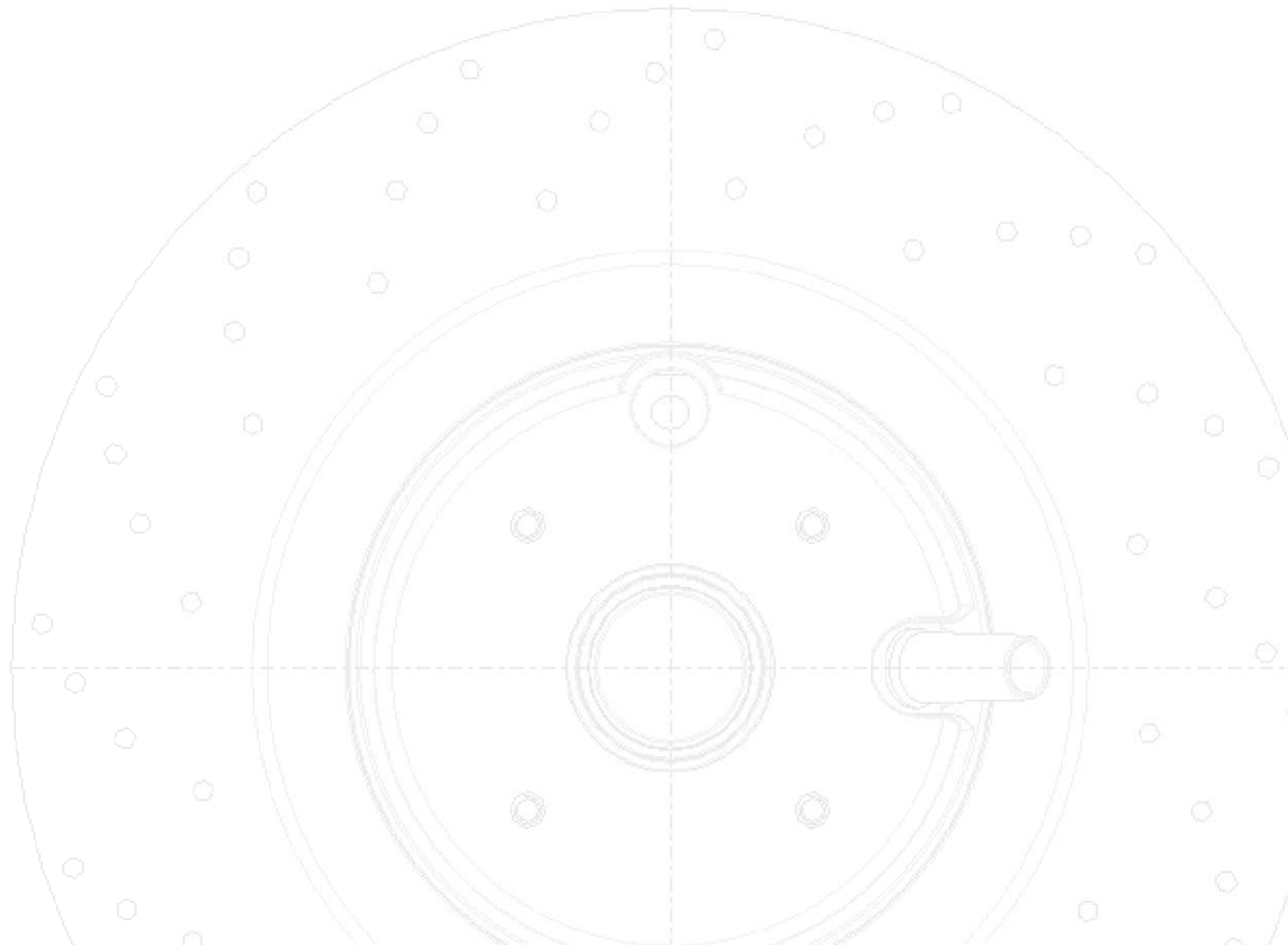
0309-4-0304

**Weight:**

2 kg

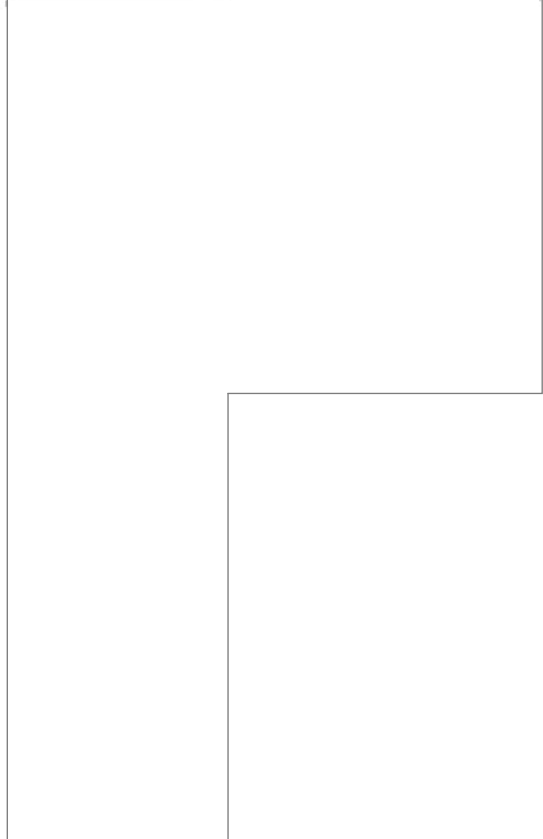
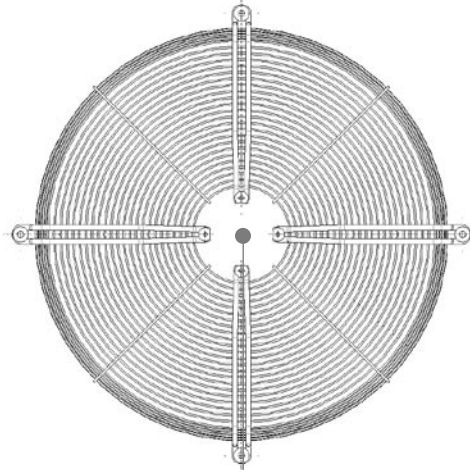
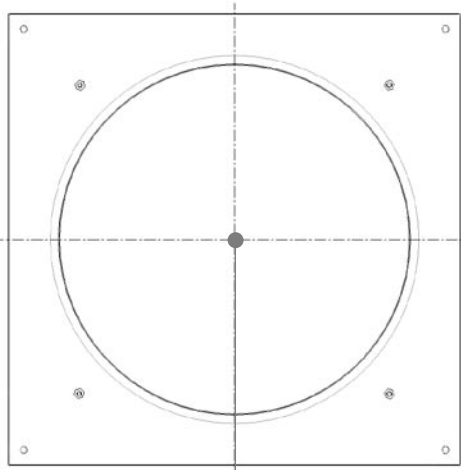
**Notes:**

On request, this fan is available also with Hall sensor.



# Centrifugal Fans





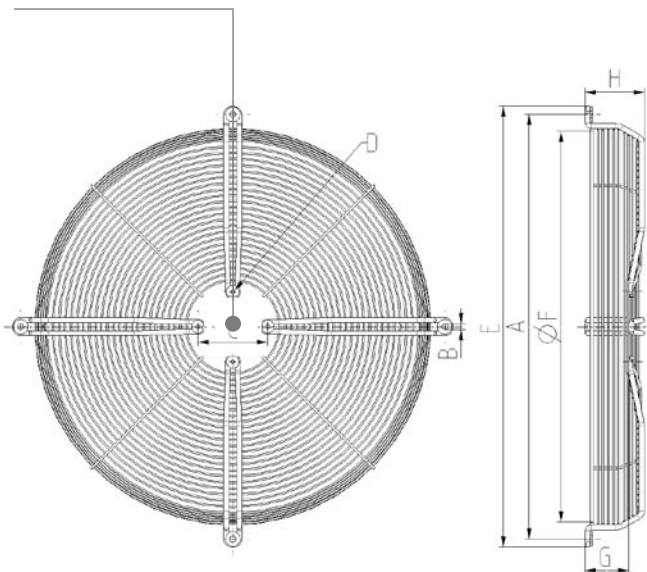
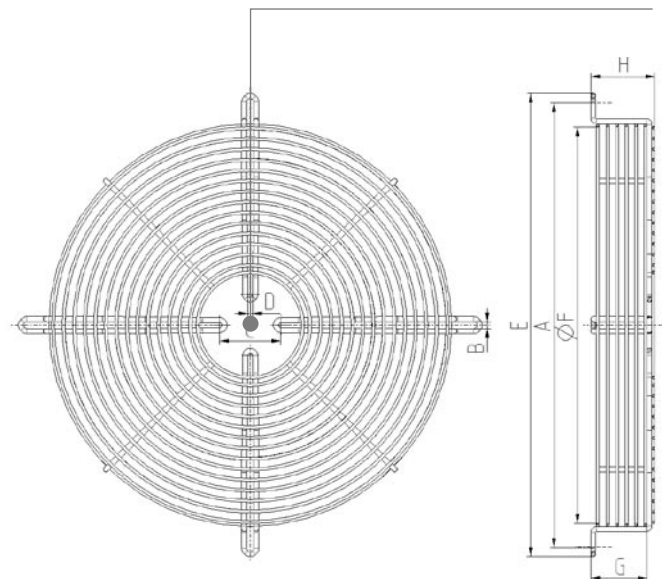
# Accessories

**Main dimensions - Basket grills Type 1**

Fan dia	Motor type	A	B	C	D	E	ø F	G	H	Code
630	R13	750	ø 10,5	115	ø 10,5	784	690	70	96	0300-1-3006
560	R13	700	ø 10,5	115	ø 7	727	644	71,5	97,5	0300-1-3003
500	R13	565	ø 9,5	115	ø 7	589	522	70	96	0300-1-3004
450	R13	515	ø 9,5	115	ø 7	543	479	70	96	0300-1-3001

**Main dimensions - Basket grills Type 2**

Fan dia	Motor type	A	B	C	D	E	ø F	G	H	Code
450	R11	520	10	90	10	540	480	55	73	0300-1-3000
400	R11	455	ø 9,5	90	ø 6,5	476	422	76	84	0300-1-3026
350	R11	442	6,5	90	6,5	485	376	53	61	0300-1-3027
350	R09	422	6,5	58	6,5	440	376	53	61	0300-1-3008
315	R09	375	6,5	58	6,5	393	336	57	65	0300-1-3022
300	R09	360	6,5	58	6,5	376	316	35	43	0300-1-3009
250	R09	300	6,5	58	6,5	314	269	37	45	0300-1-3104
200	R09	260	6,5	58	6,5	274	230	37	45	0300-1-3103

**Basket grills Type 1****Basket grill Type 2**

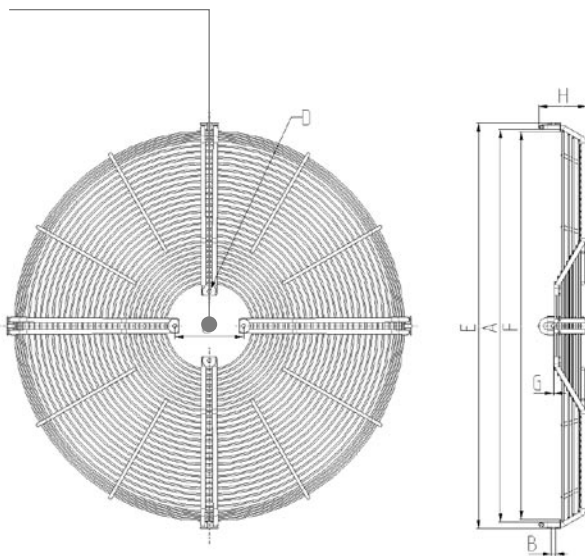
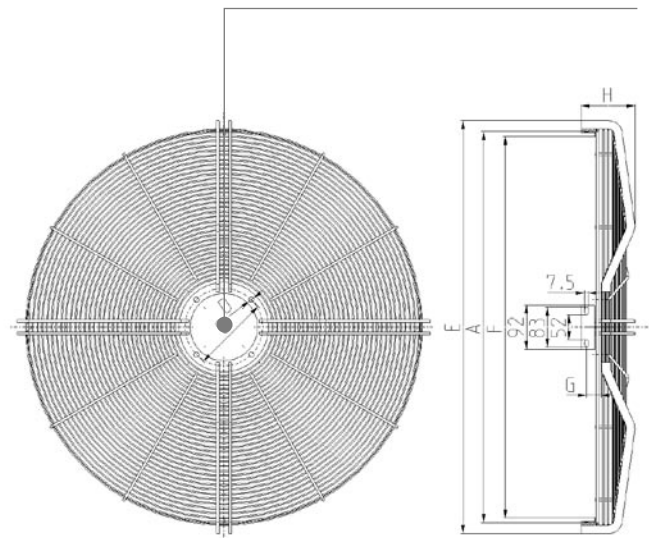
**Notes:** Surface finish: Black painted RAL9005

**Main dimensions - Basket grills Type 3**

Fan dia	Motor type	A	B	C	D	E	F	G	H	Code
630	R13	654	∅ 7	115	∅ 7	676	646	1	79	0300-1-3087
560	R13	579	∅ 7	115	∅ 7	601	571	17	94	0300-1-3089

**Main dimensions - Basket grills Type 4**

Fan dia	Motor type	A	B	C	D	E	F	G	H	Code
800	R18	816	7,5 x 15,5	182	∅ 11	816	795	30	112	0300-1-3072
710	R18	731	7,5 x 14,5	182	∅ 11	777	715	32	112	0300-1-3077

**Basket grills Type 3****Basket grills Type 4**

**Notes:** Surface finish: Black painted RAL9005

\* Zinced

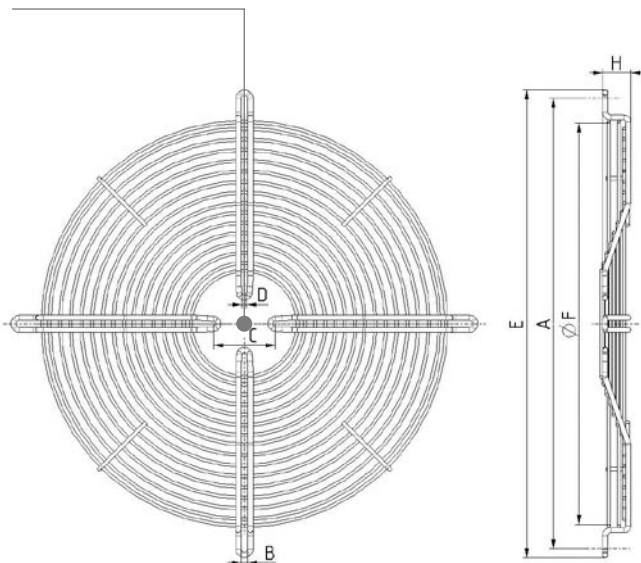
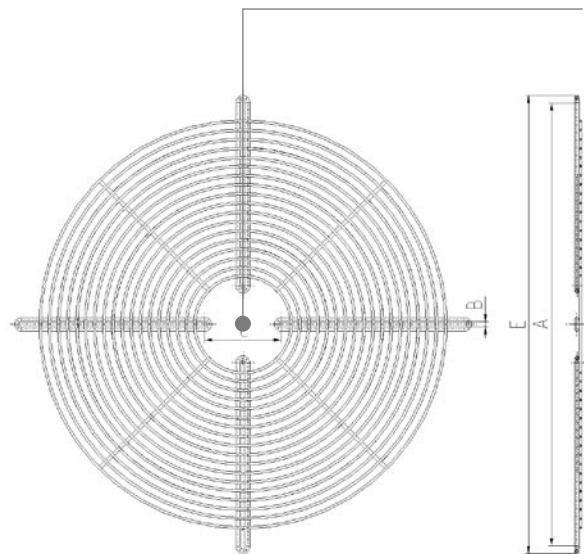


**Main dimensions - Basket grills Type 5**

Fan dia	Motor type	A	B	C	D	E				Code
350	R09	625	9,5	90	9,5	644				0300-1-3192
330	R09	565	9,5	90	6,5	586				0300-1-3193
315	R09	520	6,5	90	6,5	538				0300-1-3194
300	R09	467	6,5	90	6,5	490				0300-1-3195

**Main dimensions - Flat grills**

Fan dia	Motor type	A	B	C	D	E				Code
560	R11	625	9,5	90	9,5	644				0300-1-3032
500	R11	565	9,5	90	6,5	586				0300-1-3031
450	R11	520	6,5	90	6,5	538				0300-1-3030
400	R11	467	6,5	90	6,5	490				0300-1-3128
250 *	R09	300	5,5	58	5,5	264				0300-1-3095
200 *	R09	250	5,5	58	5,5	314				0300-1-3094

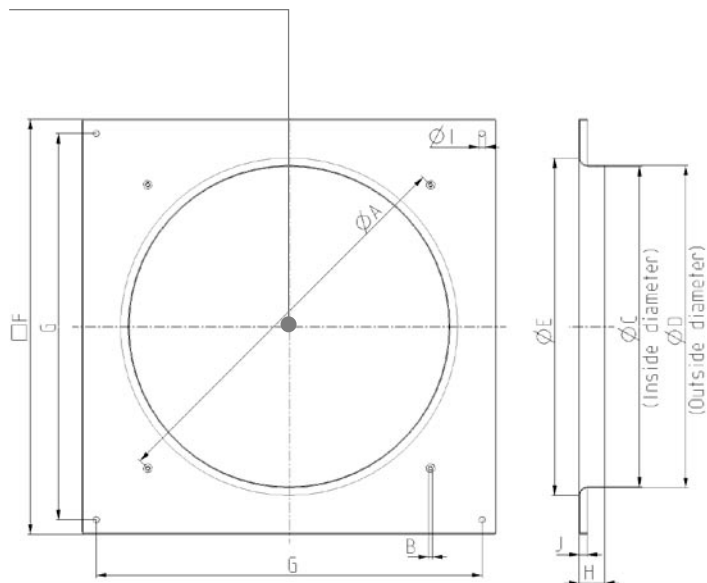
**Basket grills Type 5****Flat grills**

**Notes:** Surface finish: Black painted RAL9005

## Main dimensions - Square short wall plates

Fan dia	Airflow direction	A	B	ø C	ø D	ø E	q F	G	H	ø I	J	Code
630	sucking	750	M8	635	638	675	805	750	60	11	15	0300-6-7106
630	blowing	750	M8	635	638	675	805	750	60	11	15	0300-6-7071
560	sucking	700	M8	560	563	590	725	675	45	11	15	0300-6-7108
560	blowing	700	M8	560	563	590	725	675	45	11	15	0300-6-7083
500	sucking	565	M8	504	507	534	655	615	45	11	15	0300-6-7110
500	blowing	565	M8	504	507	534	655	615	45	11	15	0300-6-7081
450	sucking	515	M8	452	455	482	575	535	45	11	15	0300-6-7112
450	blowing	515	M8	452	455	482	575	535	45	11	15	0300-6-7069
400	sucking	455	M8	403	406	433	540	490	45	11	15	0300-6-7114
400	blowing	455	M8	403	406	433	540	490	45	11	15	0300-6-7079
350	sucking	422	M6	360	363	390	485	435	45	11	15	0300-6-7116
350	blowing	422	M6	360	363	390	485	435	45	11	15	0300-6-7077
330	sucking	400	M6	337	340	367	485	435	45	11	15	0300-6-7118
330	blowing	400	M6	337	340	367	485	435	45	11	15	0300-6-7104
315	sucking	375	M6	319	322	349	430	380	45	11	15	0300-6-7120
315	blowing	375	M6	319	322	349	430	380	45	11	15	0300-6-7075
300	sucking	360	M6	307	310	337	430	380	45	11	15	0300-6-7122
300	blowing	360	M6	307	310	337	430	380	45	11	15	0300-4-7073

## Square short wall plates

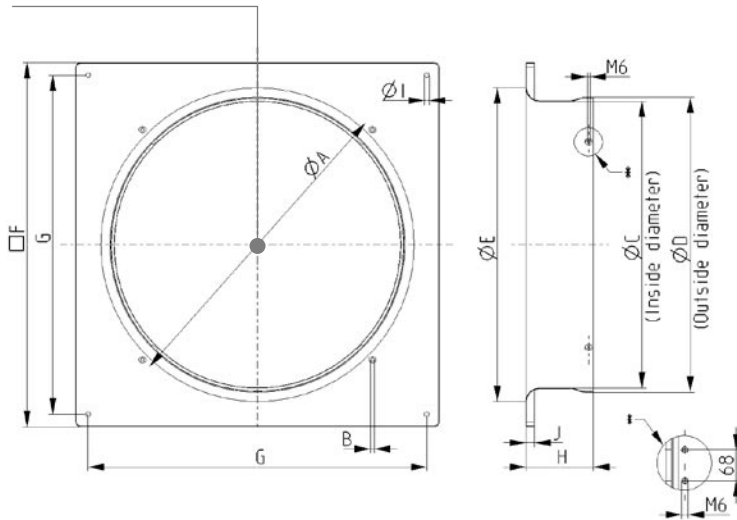


**Notes:** Surface finish: Black painted RAL9005

**Main dimensions - Square long wall plates**

Fan dia	Airflow direction	A	B	ø C	ø D	ø E	q F	G	H	ø I	J	Code
800 *	sucking	/	/	797	815	915	970	910	210	14,5	17	0300-6-7068
710 *	sucking	/	/	711	729	790	850	810	167	14,5	20	0300-6-7085
630	sucking	720	M8	634	653	695	805	750	150	11	20	0300-6-7091
560	sucking	658	M8	560	577	630	725	675	135	11	16	0300-6-7095
500	sucking	615	M8	504	518	580	656	615	118	11	16	0300-6-7089
450	sucking	560	M8	451	465	530	576	535	110	11	14	0300-6-7161

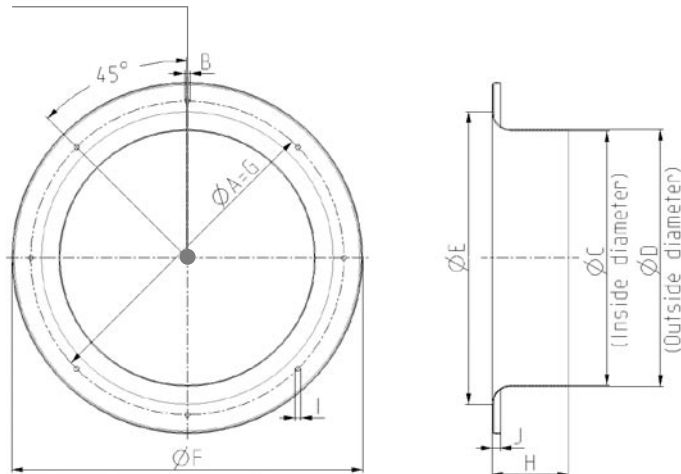
**Square long wall plates**



**Main dimensions - Round long wall plates type 1**

Fan dia	Airflow direction	A	ø B	ø C	ø D	ø E	ø F	G	H	ø I	J	Code
200	blowing	250	4,3	203	206	233	280	250	61	6,4	6,5	0300-6-7102
250	blowing	300	4,3	253	256	287	330	300	65	6,4	7,5	0300-6-7103

**Round long wall plate Type 1**

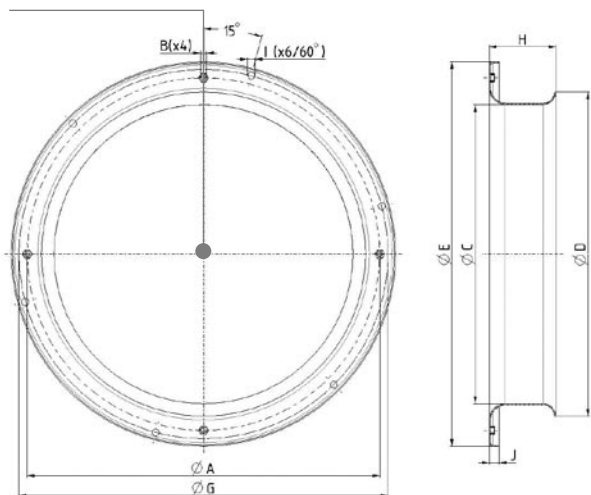


**Notes:** Surface finish: Black painted RAL9005

## Main dimensions - Round long wall plates type 2

Fan dia	Airflow direction	A	B	ø C	ø D	ø E	q F	G	H	ø I	J	Code
350	sucking	422	M6	358	388	460	/	442	80	9	12	0300-6-7150
330	sucking	408	M6	336	369	440	/	404	80	9	9	0300-6-7148
315	sucking	376	M6	317	347	397	/	381	74	9	11	0300-6-7146
300	sucking	361	M6	306	326	397	/	380	80	9	11	0300-4-7144

## Round long wall plate Type 2













## Sales and distribution:

### AUSTRALIA and NEW ZEALAND

HIDRIA AUSTRALIA Pty  
84 Nortgate Drive,  
Thomastown, Vic 3074  
Australia  
Tel: +61 3 94642066  
Fax: +61 3 94642077  
e-mail: sales@hidria.com.au

### GERMANY

Sales office:  
Helmut Muehlenhoff  
Taubenstr. 18  
85591 Vaterstetten  
Tel: +49(0)81069958944  
Fax: +49(0)89069958945  
e-mail:  
helmut.muehlenhoff@t-online.de

### GREECE

Sivar  
Lasithiou Str. 6  
121-32 Peristeri  
Athens, Greece  
Tel: +30 2105785003  
Web: www.sivar.gr  
e-mail: info@sivar.gr

### ITALY

SI.VEN Components s.r.l.  
Via P. Gorini 44  
26900 LODI  
Italy  
Tel: 0039 0371428249  
Fax: 0039 0371428305  
e-mail: si.ven@tiscali.it

### MALTA

BLYE Engineering Co. Ltd.  
Naxxar Road,  
San Gwann SNG 07  
Malta  
Tel: 00356 21 373282/3  
Fax: 00356 21 371642  
e-mail: blye@blyeeng.com

### NORWAY

HILLCO AGENTURER AS  
Stromsveien 346,  
P.O. Box 11 Leirdal  
1008 OSLO  
Norway  
Tel: +47 23175280  
Fax: +47 23175281  
e-mail: halto@online.no

### SLOVENIJA

EMPOR  
Leskoškova 9a  
1000 Ljubljana  
Tel: +386 1 5203820  
Fax: +386 1 5203838  
Web: www.empor.si  
e-mail: empor@empor.si

### SWEDEN and DENMARK

NORDICOLD AB  
Datavägen 16,  
43632 ASKIM  
Sweden  
Tel: +46 31680440  
Fax: +46 31285291  
Web: www.nordicold.se  
e-mail: info@nordicold.se

### TURKEY

FRIGOTERM Sog.Cih.San. ve Tic. A.S.  
Tarlabasi Caddesi No. 110,  
80080 BEYOGLU - ISTANBUL  
Turkey  
Tel: +90(0)2122371929  
Fax: +90(0)2122550114  
e-mail: international@frigoterm.tr

### FINLAND and ESTONIA

REPAIR OY  
Atomitie 1 FIN-00370 HELSINKI  
Finland  
Tel: +358 9 5657780  
Fax: +358 9 5657780  
e-mail: info@repair.fi

### USA

Hidria USA Inc.  
202 Beechtree Business Park  
Greenville, SC 29605  
Tel: +1 864 331 0177  
Fax: +1 864 331 0178  
e-mail: sarah.davis@ht-usa.com

### FAR EAST

Hidria GmbH Shanghai Representative Office  
Add: Rm1408, Hitech Plaza,  
No.488 Wuning Rd(S),  
JingAn District,  
Shanghai 200042  
Tel: 0086-21-51182399  
Mobile: 13671513393  
Fax: 0086-21-51182398  
Web: www.hidria.com  
e-mail: xiaoyuan.zhao@hidria.com

### FRANCE

SERHMIS sarl,  
12 rue du 8 Mai 1945  
69650 Saint Germain au mont d'or  
France  
Tel: +33 (0)4 69 16 86 57  
Fax: +33 (0)4 72 42 38 90  
Mobile: +33 (0)6 01 96 77 53  
e-mail: serhmis@cegetel.net

### SERBIA

FRIGO RADAK COMPANY D.O.O.  
Đurđevdanska 20  
11000 Beograd  
Serbia  
Tel/Fax: +381 11 3945577  
Mobile: +381 63 318539



# Hidria

Produced by:

### Hidria Rotomatika d.o.o.

Spodnja Kanomlja 23  
5281 Spodnja Idrija,  
Slovenia  
Phone: +386 5 3756 000  
Fax: +386 5 3756 471  
e-mail: sales.fans@hidria.com  
Web: www.hidria.com