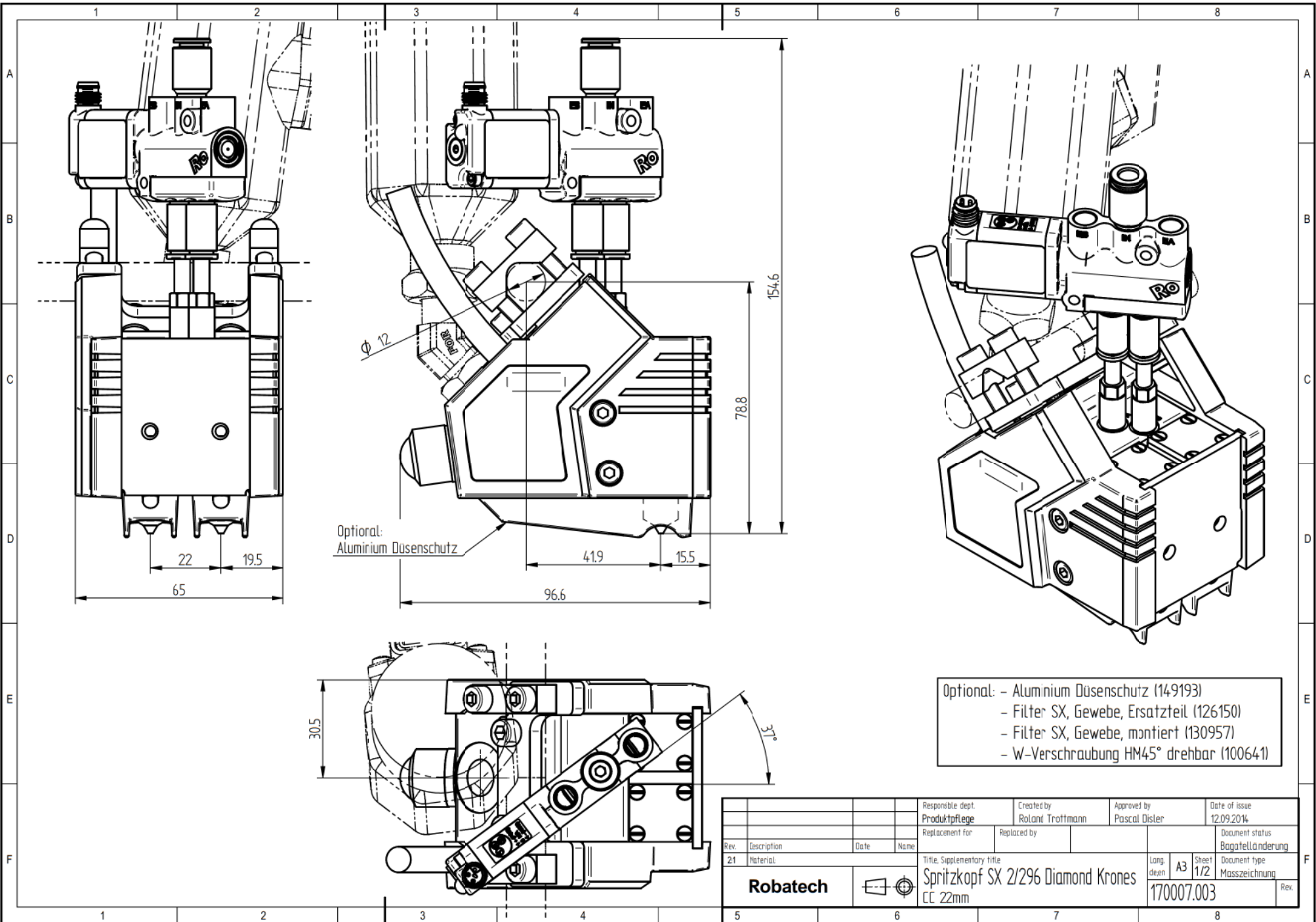
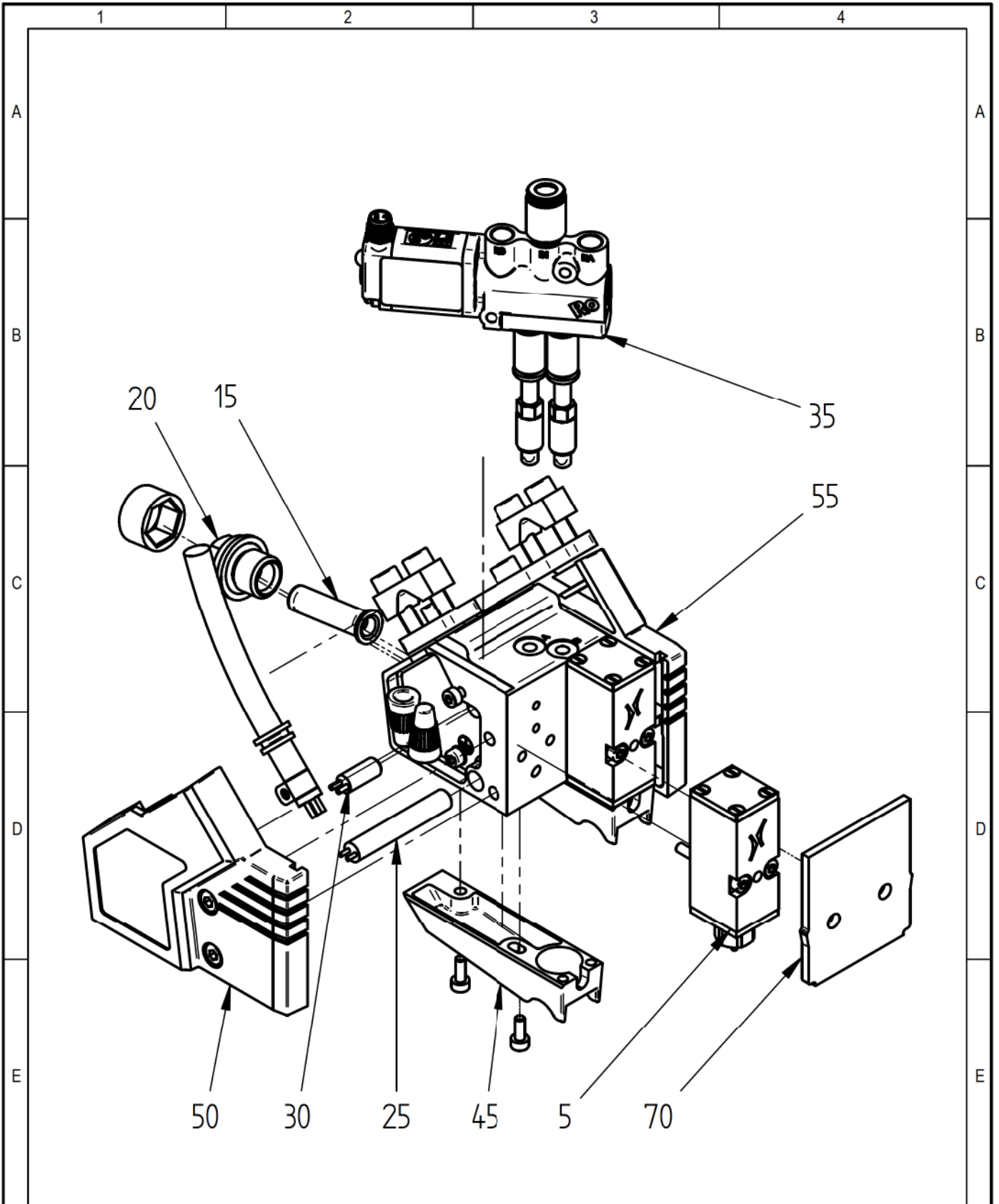


Technische Daten Technical Details

Gewicht: weight:	0,90 kg	Zolltarifnummer: Tariff:	8466 9220
Material: material:	Metall	Artikelnummer Part number:	170007
Menge: material:	1	Größe: size:	CC 22 mm





		Responsible dept. Produktpflege		Created by Roland Trottmann		Approved by Pascal Disler		Date of issue 12.09.2014		
		Replacement for		Replaced by				Document status Bagatelländerung		
Rev.	Description	Date	Name					Document type Masszeichnung		
115	Material:			Title, Supplementary title Spritzkopf SX 2/296 Diamond Kronos CC 22mm				Lang. de,en	A4	Sheet 2/2
Robatech								170007.003		Rev.

1

2

3

4