



# ENAPART



93 S Railroad Avenue Unit C  
Bergenfield NJ 07621 USA  
[www.enapart.com](http://www.enapart.com)  
[sales@enapart.com](mailto:sales@enapart.com)



Via del Canneto 35,  
Borgosatollo, Brescia - Italia  
[www.enapart.it](http://www.enapart.it)  
[vendite@enapart.it](mailto:vendite@enapart.it)



Barbaros Mah. Ihlamur Bul. Aĝaoĝlu  
My Newwork No:3/15 Ataşehir / İstanbul  
[www.enapart.net](http://www.enapart.net)  
[satis@enapart.net](mailto:satis@enapart.net)



PRIVADA 10 B SUR #3908 COL.  
ANZUREZ, C.P. 72530, PUEBLA, PUE  
[www.enapart.com.mx](http://www.enapart.com.mx)  
[sales@enapart.com.mx](mailto:sales@enapart.com.mx)



Friedrich-Ebert-Anlage 36, 60325  
Frankfurt am Main, Germany  
[www.enapart.de](http://www.enapart.de)  
[anfrage@enapart.de](mailto:anfrage@enapart.de)



4 boulevard Carnot, 95400  
villiers-le-bel, Paris, France  
[www.enapart.fr](http://www.enapart.fr)  
[sales@enapart.fr](mailto:sales@enapart.fr)



65049, ОДЕСА, ВУЛИЦЯ ІВАНА  
ФРАНКА, БУДИНОК 55, ПОВЕРХ 3  
[www.enapart.com.ua](http://www.enapart.com.ua)  
[sales@enapart.com.ua](mailto:sales@enapart.com.ua)



MUNICIPIUL BUCUREȘTI, SECTOR 3,  
B-DUL BASARABIA, NR.250, CORP P+5  
[www.enapart.ro](http://www.enapart.ro)  
[sales@enapart.ro](mailto:sales@enapart.ro)



〒584-0023 大阪府富田林市若松町  
東2丁目2番16号  
[www.enapart.co.jp](http://www.enapart.co.jp)  
[sales@enapart.co.jp](mailto:sales@enapart.co.jp)



PLAZA NUESTRA SEÑORA DE LAS  
NIEVES 12 ,LOCAL ,50012,ZARAGOZA  
[www.enapart.es](http://www.enapart.es)  
[ventas@enapart.es](mailto:ventas@enapart.es)



Складова база „Онгъл“, Склад А2, п.к.  
4006, гр. Пловдив, България  
[www.enapart.bg](http://www.enapart.bg)  
[sales@enapart.bg](mailto:sales@enapart.bg)



3 Austin Mews, High Street, Hemel  
Hempstead, HP1 3AF , United Kingdom  
[www.enapart.co.uk](http://www.enapart.co.uk)  
[sales@enapart.co.uk](mailto:sales@enapart.co.uk)

**JUMO GmbH & Co. KG**  
 Delivery address: Mackenrodtstraße 14  
 36039 Fulda, Germany  
 Postal address: 36035 Fulda, Germany  
 Phone: +49 661 6003-0  
 Fax: +49 661 6003-607  
 Email: mail@jumo.net  
 Internet: www.jumo.net

**JUMO Instrument Co. Ltd.**  
 JUMO House  
 Temple Bank, Riverway  
 Harlow, Essex, CM20 2DY, UK  
 Phone: +44 1279 63 55 33  
 Fax: +44 1279 62 50 29  
 Email: sales@jumo.co.uk  
 Internet: www.jumo.co.uk

**JUMO Process Control, Inc.**  
 6724 Joy Road  
 East Syracuse, NY 13057, USA  
 Phone: +1 315 437 5866  
 Fax: +1 315 437 5860  
 Email: info.us@jumo.net  
 Internet: www.jumousa.com



# JUMO exTHERM-AT

## Explosion-proof surface-mounted thermostat for zones 1, 2, 21, and 22

### Special features

- Single thermostat and double thermostat with capillary or rigid thermowell
- Switching capacity up to 25 A
- Admissible ambient temperatures -55 to +70 °C (standard -40 to +70 °C)
- Thermowell for use in zone 0 available as an accessory
- Quick and safer electrical connection through Push-In® terminal technology
- Stable switching points through standard ambient temperature compensation

### Brief description

The explosion-proof surface-mounted thermostats of the JUMO exTHERM series are built to monitor and control temperatures in potentially explosive areas. The use in environments with gas and steam is permitted (zones 1 and 2); use in environments with conductive dust (zones 21 and 22) is also permitted.

The JUMO exTHERM-AT is available as temperature monitor TW, safety temperature monitor (STW), and safety temperature limiter (STB). The thermostats work according to the liquid expansion or gas expansion principle. The electrical switching element is a pressure-resistant encapsulated thermostat with a snap-action switch. Stable switching points when ambient temperatures fluctuate are made possible by the standard ambient temperature compensation.

The thermostats of the JUMO exTHERM-AT series are RoHS conform and cadmium free.



JUMO exTHERM-AT double thermostat



JUMO exTHERM-AT single thermostat

Version according to DIN EN 14597:

<b>TW</b>	Temperature monitor
<b>STW</b>	Safety temperature monitor
<b>STB</b>	Safety temperature limiter

#### ATEX mark

	<b>II 2G Ex db eb IIC T4/T5/T6 Gb</b> For explosive gas atmosphere
	<b>II 2D Ex tb IIIC T85 °C/T100 °C/T130 °C Db</b> For explosive dust atmosphere

#### IECEx mark

	<b>Ex db eb IIC T4/T5/T6 Gb</b> For explosive gas atmosphere
	<b>Ex tb IIIC T85 °C/T100 °C/T130 °C Db</b> For explosive dust atmosphere

#### Test certificate ATEX

EPS 11 ATEX 1 354

#### Test certificate IECEx

IECEx EPS 13.0046

#### Test certificate EAC-Ex

RU C-DE.HB07.B.00057/20

#### Test certificate SIL

EPS 11 ATEX 1 354 (SIL 2)

### Approvals and approval marks (see technical data)



\* Available with extra code (TZ 240)

\*\* Available with extra code (TZ 372)

\*\*\* Available with extra code (TZ 073)

**JUMO GmbH & Co. KG**  
 Delivery address: Mackenrodtstraße 14  
 36039 Fulda, Germany  
 Postal address: 36035 Fulda, Germany  
 Phone: +49 661 6003-0  
 Fax: +49 661 6003-607  
 Email: mail@jumo.net  
 Internet: www.jumo.net

**JUMO Instrument Co. Ltd.**  
 JUMO House  
 Temple Bank, Riverway  
 Harlow, Essex, CM20 2DY, UK  
 Phone: +44 1279 63 55 33  
 Fax: +44 1279 62 50 29  
 Email: sales@jumo.co.uk  
 Internet: www.jumo.co.uk

**JUMO Process Control, Inc.**  
 6724 Joy Road  
 East Syracuse, NY 13057, USA  
 Phone: +1 315 437 5866  
 Fax: +1 315 437 5860  
 Email: info.us@jumo.net  
 Internet: www.jumousa.com



## Technical data

### Switching functions

Temperature monitor TW and safety temperature monitor STW	Restart lock for the safety temperature limiter STB	Self-monitoring for the safety temperature monitor STW and safety temperature limiter STB
<p>If the temperature on the temperature probe exceeds the setpoint value, the microswitch is activated by the transmission mechanics and the electrical circuit is opened or closed.</p> <p>If the temperature falls below the selected setpoint value (by the amount of the switching differential), the microswitch is reset to its initial position</p>	<p>If the temperature on the temperature probe exceeds the set limit value, the electrical circuit is opened and the microswitch is mechanically locked.</p> <p>The microswitch can be manually unlocked once the dangerous temperature of the setpoint value drops by approx. 20 % of the scale range.</p>	<p>If the measuring system is destroyed (i.e. if the expansion fluid escapes) the pressure in the membrane of the STB and STW drops and permanently opens the electrical circuit. Unlocking is then no longer possible.</p> <p>The electrical circuit opens when cooling the probe of STW (STB) and STB down to the negative temperature range, but it then closes again if the temperature rises. The STB must be unlocked manually if the minimum probe temperature is exceeded.</p> <p>The STW unlocks itself automatically.</p>

### Temperature compensation

When the ambient temperature on the switching head and the capillary deviates – from the calibration ambient temperature of 22 °C – a switching point offset occurs. This switching point offset is reduced to a minimum due to the temperature compensation.

### Housing

Material	Polyester case, glass fiber reinforced, black (option: stainless steel) Due to the conductive soot-doped surface with a low surface resistance, static charging is not possible.
Protection type	EN 60529 - IP65 (polyester case), pollution level 2, IP 66 with extra code 861
Setpoint value adjustment	With screwdriver (once the case lid has been removed)
Switching head fastening	Using four screws (once the case lid has been removed)
Weight	Approx. 1200 g single thermostat/approx. 2000 g double thermostat
Cable inlet	Ex cable gland M20 × 1.5, sealing area 6 to 13 mm and Ex cable gland M25 × 1.5, sealing area 7 to 17 mm

### Process connection

JUMO exTHERM-AT with capillary	Plain cylindrical probe (standard), rigid thermowell, spiral probe for room thermostat version
--------------------------------	--

### Accessories

JUMO exTHERM-AT	Multi-section standard thermowells made out of CrNi for use in zones 1, 2, 21, 22 (see data sheet 606710) Multi-section thermowells made out of CrNi for use in zone separation 0/1, 20/21 (see new data sheet 605057)
-----------------	---

**JUMO GmbH & Co. KG**  
 Delivery address: Mackenrodtstraße 14  
 36039 Fulda, Germany  
 Postal address: 36035 Fulda, Germany  
 Phone: +49 661 6003-0  
 Fax: +49 661 6003-607  
 Email: mail@jumo.net  
 Internet: www.jumo.net

**JUMO Instrument Co. Ltd.**  
 JUMO House  
 Temple Bank, Riverway  
 Harlow, Essex, CM20 2DY, UK  
 Phone: +44 1279 63 55 33  
 Fax: +44 1279 62 50 29  
 Email: sales@jumo.co.uk  
 Internet: www.jumo.co.uk

**JUMO Process Control, Inc.**  
 6724 Joy Road  
 East Syracuse, NY 13057, USA  
 Phone: +1 315 437 5866  
 Fax: +1 315 437 5860  
 Email: info.us@jumo.net  
 Internet: www.jumousa.com



## Operating data

Medium ambient temperature influence	When the ambient temperature on the switching head and/or the capillary deviates from the calibration ambient temperature of 22 °C, a switching point offset occurs.  Higher ambient temperature = lower switching point Lower ambient temperature = higher switching point
Admissible storage temperature/ admissible ambient temperature when in use	-40 °C, optionally -60 to +70 °C (referring to T4, at 25 A max. 55 °C)
Max. probe temperature	+15 % of the limit value/max. adjustment value or 25 K
Rated position (NL)	According to DIN 16257, NL 0 to NL 90

## Electrical data

Max. switching capacity	Selectable on the N/C contact (contact deck 1-2):	
	AC 400 V +10 %, 16 A	
	AC 230 V +10 %, 16 (2.5) A, $\cos \varphi = 1 (0.6)^a$	
	AC 230 V +10 %, 25 (4) A, $\cos \varphi = 1 (0.6)$	
	DC 230 V +10 %, 0.25 A	
	Selectable on the N/O contact (contact deck 1-4):	
	TW, STW	STB
	AC 400 V +10 %, 6.3 A	AC 400 V +10 %, 2 A
	AC 230 V +10 %, 6.3 (2.5) A, $\cos \varphi = 1 (0.6)^a$	AC 230 V +10 %, 2 (0.4) A, $\cos \varphi = 1 (0.6)^a$
	AC 230 V +10 %, 2 (0.4) A, $\cos \varphi = 1 (0.6)$	AC 230 V +10 %, 2 (0.4) A, $\cos \varphi = 1 (0.6)$
DC 230 V +10 %, 0.25 A	AC 230 V +10 %, 0.25 A	
Snap-action switch, gold-plated AC/DC = 24 V, 0.1 A		
Min. switching capacity	To ensure the greatest possible switching reliability we recommend a minimum load of: AC/DC = 24 V, 100 mA for silver contacts AC/DC = 10 V, 5 mA for gold-plated contacts	

<sup>a</sup> standard

## Capillary and temperature probe

Type	Capillary Ø 1.5 mm	Temperature probe
JUMO exTHERM-AT	Stainless steel (CrNi) 1.4571	Stainless steel (CrNi) 1.4571, welded
Capillary length	Max. 5000 mm	
Capillary bending radius	≥ 5 mm	

**JUMO GmbH & Co. KG**  
 Delivery address: Mackenrodtstraße 14  
 36039 Fulda, Germany  
 Postal address: 36035 Fulda, Germany  
 Phone: +49 661 6003-0  
 Fax: +49 661 6003-607  
 Email: mail@jumo.net  
 Internet: www.jumo.net

**JUMO Instrument Co. Ltd.**  
 JUMO House  
 Temple Bank, Riverway  
 Harlow, Essex, CM20 2DY, UK  
 Phone: +44 1279 63 55 33  
 Fax: +44 1279 62 50 29  
 Email: sales@jumo.co.uk  
 Internet: www.jumo.co.uk

**JUMO Process Control, Inc.**  
 6724 Joy Road  
 East Syracuse, NY 13057, USA  
 Phone: +1 315 437 5866  
 Fax: +1 315 437 5860  
 Email: info.us@jumo.net  
 Internet: www.jumousa.com



## Control ranges and probe table

Control range	Max. capillary length	Probe length „L“				
		For „d“ = 4 mm		For „d“ = 6 mm		
		TW	STW, STB	TW	STW	STB
in °C	in mm	Approx. 2.5 %	Approx. 7 %	Approx. 2.5 %	Approx. 7 %	-
-20 to +50	5000	-	-	138	81	81
0 to 120	5000	203	115	90	65	65
0 to 190	5000	136	79	71	52	-
60 to 300	3000	-	-	-	155	-
20 to 500	5000	-	-	278	-	-
140 to 500	5000	-	-	-	133	133
70 to 190	5000	-	99	-	59	59
20 to 400	3000	-	-	155	-	-
150 to 300	3000	-	-	-	-	155

## Switching point tolerance in the middle section of the scale

Control range	TW	STW upward adjustment	STW downward adjustment	STB
in °C	in K	in K	in K	in K
-20 to +40 (spiral probe)	+2/-2	-	-	-
-20 to +50	+3/-3	+0/-5	+5/-0	-
0 to 120	+5/-5	+0/-10	+10/-0	+0/-10
0 to 190	+8/-8	+0/-16	+16/-0	-
70 to 190	-	+0/-16	+16/-0	+0/-16
130 to 190	-	-	-	+0/-16
20 to 400	+18/-18	-	-	-
60 to 300	-	+0/-36	+36/-0	-
150 to 300	-	-	-	+0/-36
140 to 500	-	+0/-44	+44/-0	+0/-44
20 to 500	+22/-22	-	-	-

Temperature monitors (TW) and safety temperature monitors (STW) are adjusted ascendingly in the middle section of the scale as standard procedure. Safety temperature limiters (STB) are adjusted in the upper section of the scale. Special adjustments are possible upon request.

**JUMO GmbH & Co. KG**  
 Delivery address: Mackenrodtstraße 14  
 36039 Fulda, Germany  
 Postal address: 36035 Fulda, Germany  
 Phone: +49 661 6003-0  
 Fax: +49 661 6003-607  
 Email: mail@jumo.net  
 Internet: www.jumo.net

**JUMO Instrument Co. Ltd.**  
 JUMO House  
 Temple Bank, Riverway  
 Harlow, Essex, CM20 2DY, UK  
 Phone: +44 1279 63 55 33  
 Fax: +44 1279 62 50 29  
 Email: sales@jumo.co.uk  
 Internet: www.jumo.co.uk

**JUMO Process Control, Inc.**  
 6724 Joy Road  
 East Syracuse, NY 13057, USA  
 Phone: +1 315 437 5866  
 Fax: +1 315 437 5860  
 Email: info.us@jumo.net  
 Internet: www.jumousa.com



## Approvals and approval marks

<b>ATEX</b> Testing agency Certificate/certification numbers Inspection basis Valid for	Bureau Veritas EPS 11 ATEX 1 354 EN IEC 60079-0, EN 60079-1, EN IEC 60079-7, EN 60079-26, EN 60079-31, EN 50495, EN ISO 80079-37 Type 605055/...
<b>IECEX</b> Testing agency Certificate/certification numbers Inspection basis Valid for	Bureau Veritas IECEx EPS 13.0046 IEC 60079-0, IEC 60079-1, IEC 60079-31, IEC 60079-7 Type 605055/... with extra code 372
<b>EAC-Ex<sup>a</sup></b> Testing agency Certificate/certification numbers Inspection basis Valid for	Profitext Limited Liability Company, Moscow RU C-DE.HB07.B00057/20 TR ZU 012/2011 (Ex) Typ 605055/... with extra code 240
<b>UA TR</b> Testing agency Certificate/certification numbers Inspection basis Valid for	SERTIS-CENTER CLJ 21.0635 DSTU EN 60079-0, DSTU EN 60079-1, DSTU EN 60079-7, DSTU EN 60079-31 Type 605055/...
<b>SIL</b> Testing agency Certificate/certification numbers Inspection basis Valid for	Bureau Veritas EPS 11 ATEX 1 354 DIN EN 50495 Type 605055/... with extra code 073

<sup>a</sup> Russian documentation on request

**JUMO GmbH & Co. KG**  
 Delivery address: Mackenrodtstraße 14  
 36039 Fulda, Germany  
 Postal address: 36035 Fulda, Germany  
 Phone: +49 661 6003-0  
 Fax: +49 661 6003-607  
 Email: mail@jumo.net  
 Internet: www.jumo.net

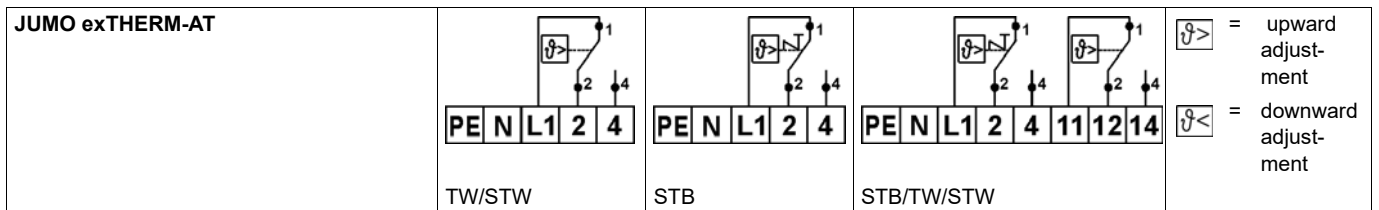
**JUMO Instrument Co. Ltd.**  
 JUMO House  
 Temple Bank, Riverway  
 Harlow, Essex, CM20 2DY, UK  
 Phone: +44 1279 63 55 33  
 Fax: +44 1279 62 50 29  
 Email: sales@jumo.co.uk  
 Internet: www.jumo.co.uk

**JUMO Process Control, Inc.**  
 6724 Joy Road  
 East Syracuse, NY 13057, USA  
 Phone: +1 315 437 5866  
 Fax: +1 315 437 5860  
 Email: info.us@jumo.net  
 Internet: www.jumousa.com

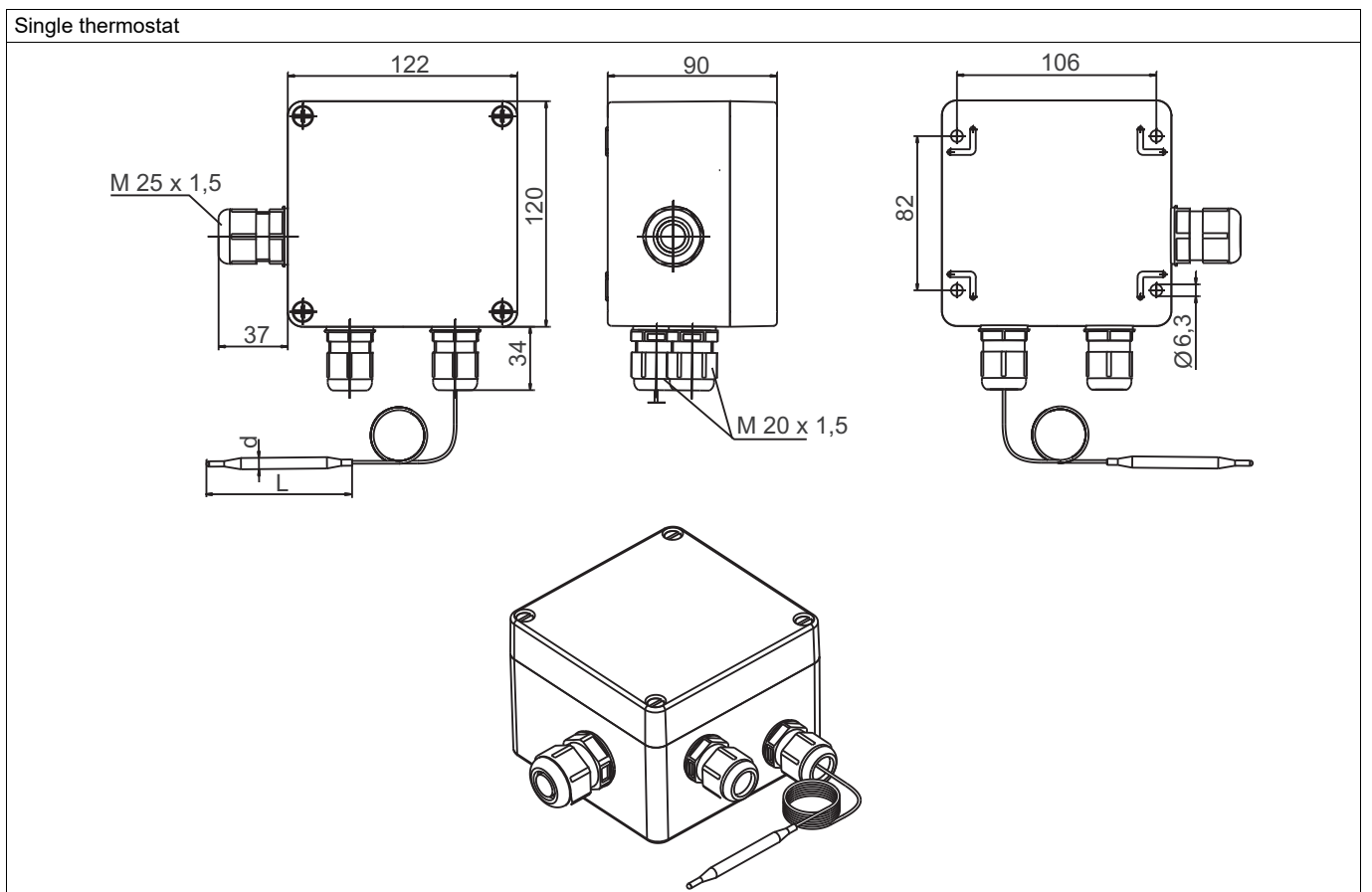


## Connection diagram

The connection diagram in the data sheet provides preliminary information about the connection options. For the electrical connection, only use the installation instructions or the operating manual. The knowledge and the correct technical compliance with the safety information and warnings contained in these documents are mandatory for mounting, electrical connection, and startup as well as for safety during operation.



## Dimensions



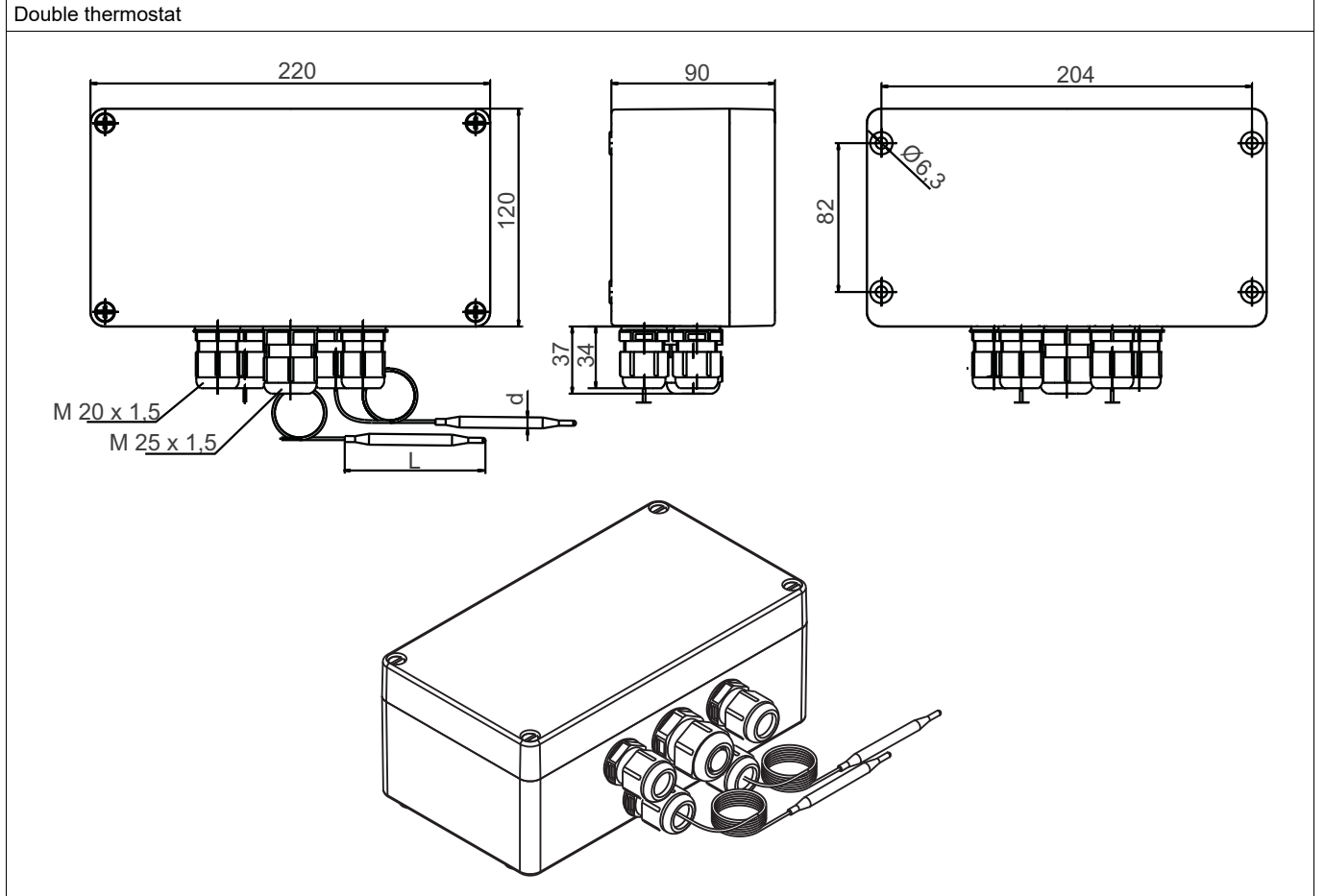
**JUMO GmbH & Co. KG**  
 Delivery address: Mackenrodtstraße 14  
 36039 Fulda, Germany  
 Postal address: 36035 Fulda, Germany  
 Phone: +49 661 6003-0  
 Fax: +49 661 6003-607  
 Email: mail@jumo.net  
 Internet: www.jumo.net

**JUMO Instrument Co. Ltd.**  
 JUMO House  
 Temple Bank, Riverway  
 Harlow, Essex, CM20 2DY, UK  
 Phone: +44 1279 63 55 33  
 Fax: +44 1279 62 50 29  
 Email: sales@jumo.co.uk  
 Internet: www.jumo.co.uk

**JUMO Process Control, Inc.**  
 6724 Joy Road  
 East Syracuse, NY 13057, USA  
 Phone: +1 315 437 5866  
 Fax: +1 315 437 5860  
 Email: info.us@jumo.net  
 Internet: www.jumousa.com



Double thermostat





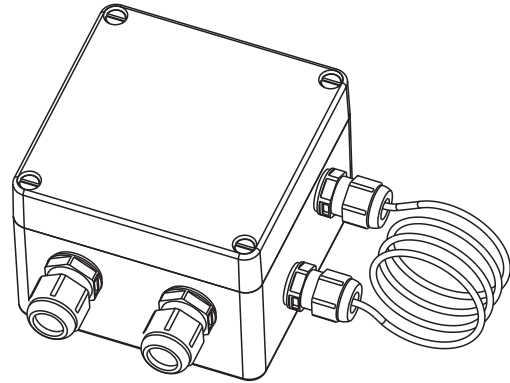
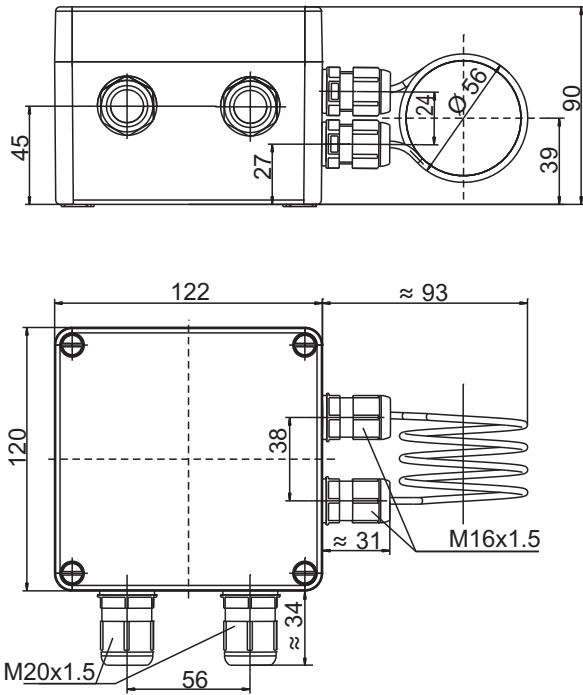
**JUMO GmbH & Co. KG**  
 Delivery address: Mackenrodtstraße 14  
 36039 Fulda, Germany  
 Postal address: 36035 Fulda, Germany  
 Phone: +49 661 6003-0  
 Fax: +49 661 6003-607  
 Email: mail@jumo.net  
 Internet: www.jumo.net

**JUMO Instrument Co. Ltd.**  
 JUMO House  
 Temple Bank, Riverway  
 Harlow, Essex, CM20 2DY, UK  
 Phone: +44 1279 63 55 33  
 Fax: +44 1279 62 50 29  
 Email: sales@jumo.co.uk  
 Internet: www.jumo.co.uk

**JUMO Process Control, Inc.**  
 6724 Joy Road  
 East Syracuse, NY 13057, USA  
 Phone: +1 315 437 5866  
 Fax: +1 315 437 5860  
 Email: info.us@jumo.net  
 Internet: www.jumousa.com



Room thermostat



**JUMO GmbH & Co. KG**  
 Delivery address: Mackenrodtstraße 14  
 36039 Fulda, Germany  
 Postal address: 36035 Fulda, Germany  
 Phone: +49 661 6003-0  
 Fax: +49 661 6003-607  
 Email: mail@jumo.net  
 Internet: www.jumo.net

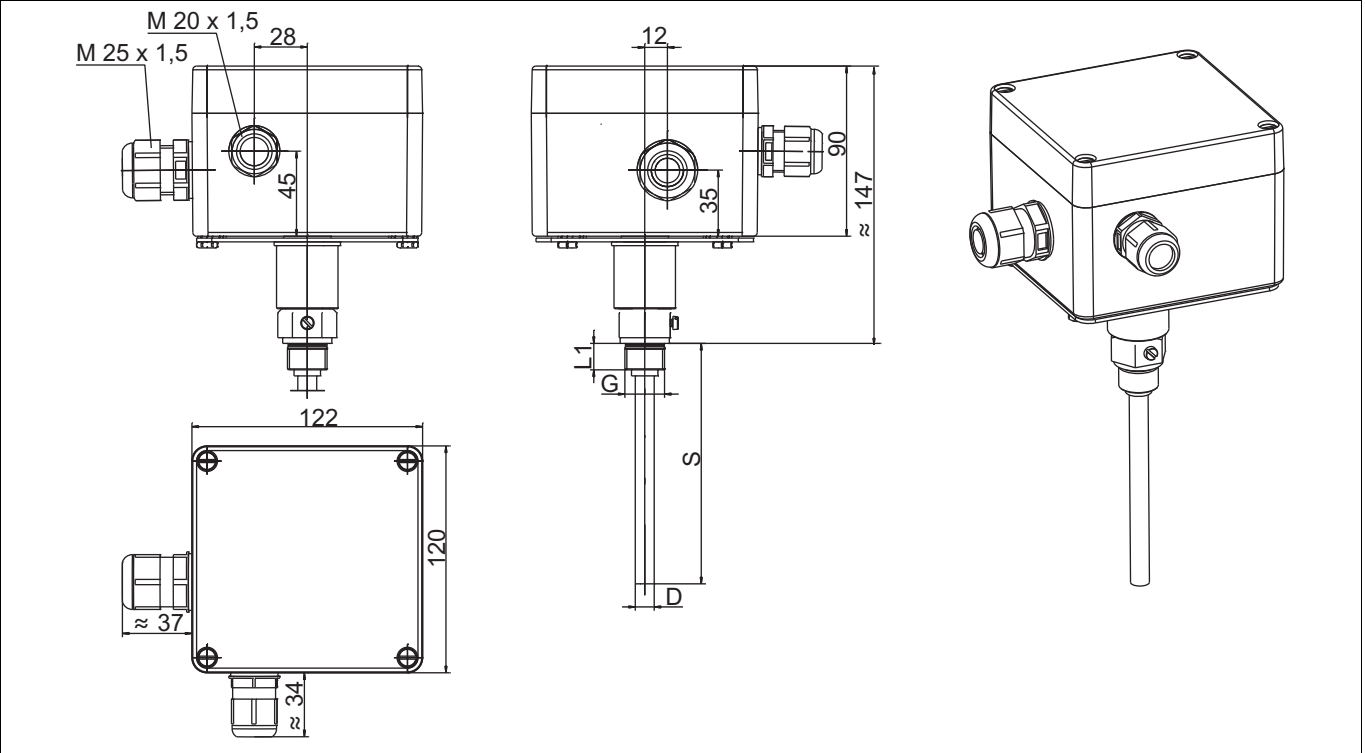
**JUMO Instrument Co. Ltd.**  
 JUMO House  
 Temple Bank, Riverway  
 Harlow, Essex, CM20 2DY, UK  
 Phone: +44 1279 63 55 33  
 Fax: +44 1279 62 50 29  
 Email: sales@jumo.co.uk  
 Internet: www.jumo.co.uk

**JUMO Process Control, Inc.**  
 6724 Joy Road  
 East Syracuse, NY 13057, USA  
 Phone: +1 315 437 5866  
 Fax: +1 315 437 5860  
 Email: info.us@jumo.net  
 Internet: www.jumousa.com

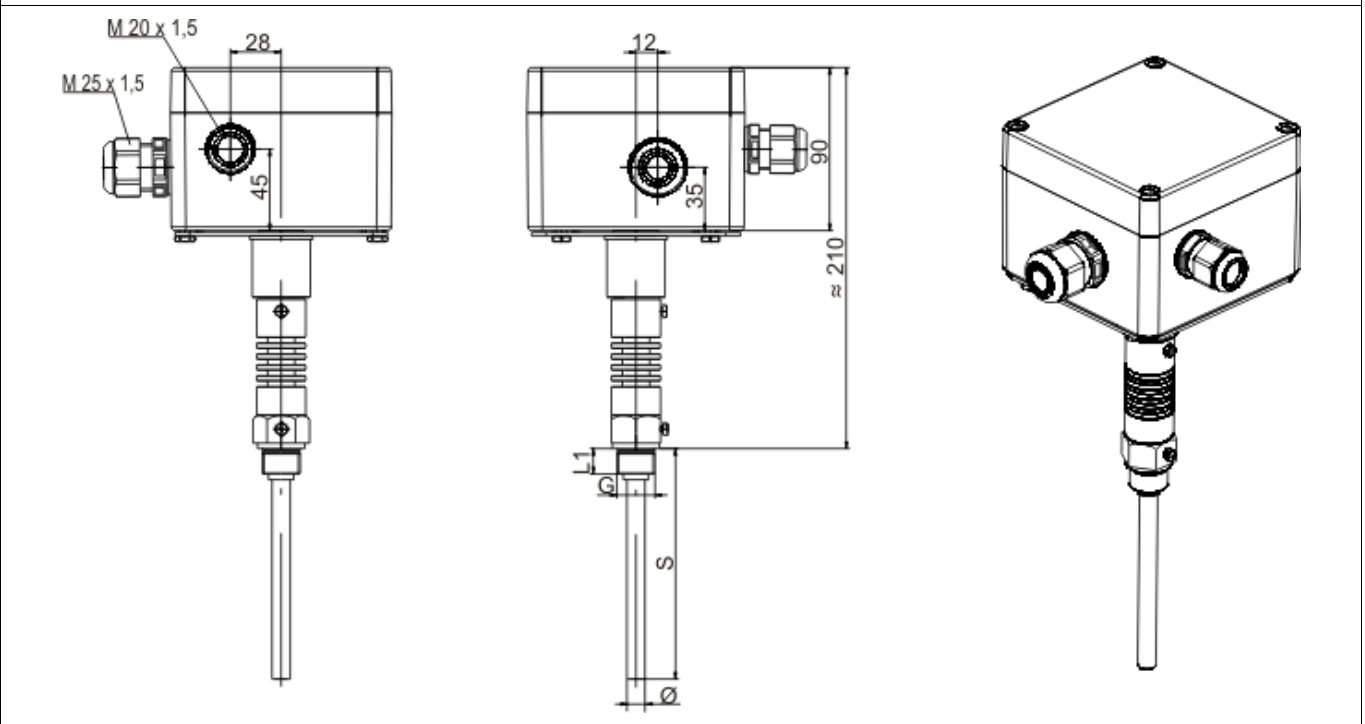


Thermostat with rigid thermowell (process connection 74)

Thermowells can be ordered separately according to data sheet 605057 (with ATEX approval) or data sheet 606710 (without ATEX approval)



Thermostat with sleeve and heat sink, limit value > 150 to 300 °C



**JUMO GmbH & Co. KG**  
 Delivery address: Mackenrodtstraße 14  
 36039 Fulda, Germany  
 Postal address: 36035 Fulda, Germany  
 Phone: +49 661 6003-0  
 Fax: +49 661 6003-607  
 Email: mail@jumo.net  
 Internet: www.jumo.net

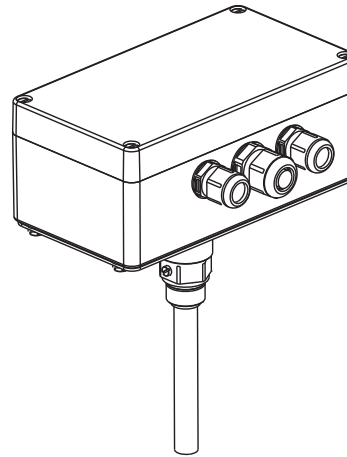
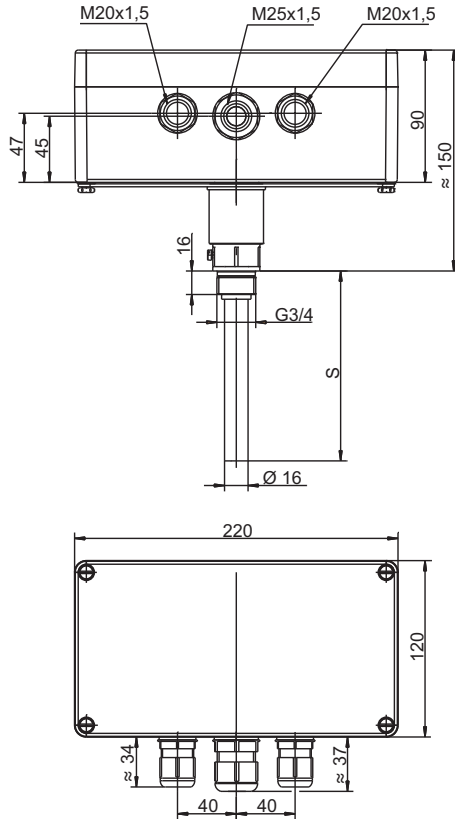
**JUMO Instrument Co. Ltd.**  
 JUMO House  
 Temple Bank, Riverway  
 Harlow, Essex, CM20 2DY, UK  
 Phone: +44 1279 63 55 33  
 Fax: +44 1279 62 50 29  
 Email: sales@jumo.co.uk  
 Internet: www.jumo.co.uk

**JUMO Process Control, Inc.**  
 6724 Joy Road  
 East Syracuse, NY 13057, USA  
 Phone: +1 315 437 5866  
 Fax: +1 315 437 5860  
 Email: info.us@jumo.net  
 Internet: www.jumousa.com

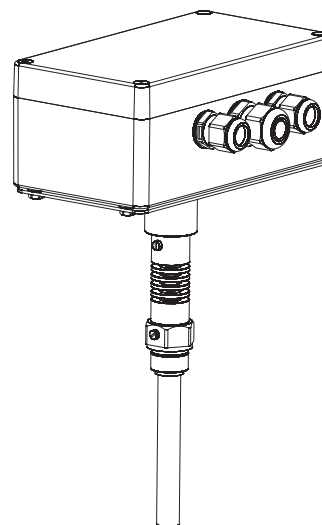
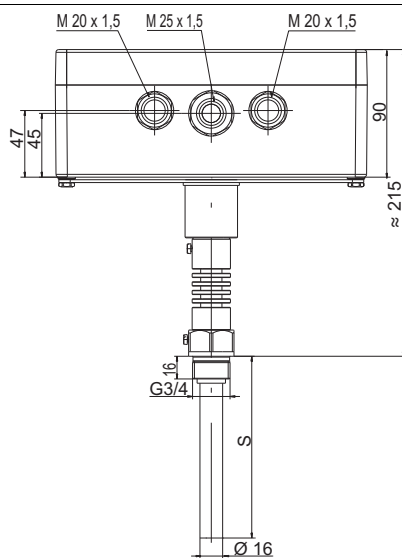


Double thermostat with sleeve (process connection 74)

Thermowells can be ordered separately according to data sheet 605057 (with ATEX approval) or data sheet 606710 (without ATEX approval)



Double thermostat with sleeve and heat sink, limit value > 150 to 300 °C



**JUMO GmbH & Co. KG**  
 Delivery address: Mackenrodtstraße 14  
 36039 Fulda, Germany  
 Postal address: 36035 Fulda, Germany  
 Phone: +49 661 6003-0  
 Fax: +49 661 6003-607  
 Email: mail@jumo.net  
 Internet: www.jumo.net

**JUMO Instrument Co. Ltd.**  
 JUMO House  
 Temple Bank, Riverway  
 Harlow, Essex, CM20 2DY, UK  
 Phone: +44 1279 63 55 33  
 Fax: +44 1279 62 50 29  
 Email: sales@jumo.co.uk  
 Internet: www.jumo.co.uk

**JUMO Process Control, Inc.**  
 6724 Joy Road  
 East Syracuse, NY 13057, USA  
 Phone: +1 315 437 5866  
 Fax: +1 315 437 5860  
 Email: info.us@jumo.net  
 Internet: www.jumousa.com



## Order details

	<b>(1) Basic type</b>			
605055	JUMO exTHERM-AT – Explosion-proof surface-mounted thermostat for zones 1, 2, 21, and 22			
	<b>(2) Basic type extension</b>			
0002	Temperature monitor (TW)			
0020	Safety temperature monitor (STW)			
0070	Safety temperature limiter (STB)			
0270	Temperature monitor/Safety temperature limiter (TW/STB)			
2070	Safety temperature monitor/Safety temperature limiter (STW/STB)			
	<b>(3) Design type</b>			
5	Surface-mounted thermostat			
6	Room thermostat			
	<b>(4) Housing</b>			
4	Polyester case black (standard)			
6	Stainless steel housing			
	<b>(5) Control range (TW)</b>			
013	-20 to +40 °C			
014	-20 to +50 °C			
026	0 to 120 °C			
045	20 to 400 °C			
195	0 to 190 °C			
427	60 to 300 °C			
429	70 to 190 °C			
532	130 to 190 °C			
539	140 to 500 °C			
553	150 to 300 °C			
	<b>(6) Limit value range (STB)</b>			
000	Only single thermostat			
014	-20 to +50 °C			
026	0 to 120 °C			
045	20 to 400 °C			
195	0 to 190 °C			
427	60 to 300 °C only STB gas filling			
429	70 to 190 °C			
532	130 to 190 °C			
539	140 to 500 °C			
553	150 to 300 °C			
	<b>(7) Switching capacity</b>			
11	AC/DC 24 V, 0.1 A			
21	AC 230 V, 16 (2.5) A, cos φ = 1 (0.6)			
25	AC 230 V, 25 (4) A, cos φ = 1 (0.6)			
41	AC 400 V, 16 A			
	<b>(8) Admissible ambient temperature at the housing</b>			
340	-55 to +40 °C	T6	(+70 °C T4)	(+55 °C T4 at 25 A)
467	-40 to +40 °C	T6	(+70 °C T4)	(+55 °C T4 at 25 A)
	<b>(9) Switching differential</b>			
00	None			
25	Approx. 2.5 %			
70	Approx. 7 %			

**JUMO GmbH & Co. KG**  
 Delivery address: Mackenrodtstraße 14  
 36039 Fulda, Germany  
 Postal address: 36035 Fulda, Germany  
 Phone: +49 661 6003-0  
 Fax: +49 661 6003-607  
 Email: mail@jumo.net  
 Internet: www.jumo.net

**JUMO Instrument Co. Ltd.**  
 JUMO House  
 Temple Bank, Riverway  
 Harlow, Essex, CM20 2DY, UK  
 Phone: +44 1279 63 55 33  
 Fax: +44 1279 62 50 29  
 Email: sales@jumo.co.uk  
 Internet: www.jumo.co.uk

**JUMO Process Control, Inc.**  
 6724 Joy Road  
 East Syracuse, NY 13057, USA  
 Phone: +1 315 437 5866  
 Fax: +1 315 437 5860  
 Email: info.us@jumo.net  
 Internet: www.jumousa.com



<b>(10) Switching differential 2</b>	
00	None
25	Approx. 2.5 %
70	Approx. 7 %
<b>(11) Capillary length</b>	
0	0 mm
1000	1,000 mm
3000	3,000 mm
<b>(12) Capillary length 2</b>	
0	0 mm
1000	1,000 mm
3000	3,000 mm
<b>(13) Capillary material</b>	
20	CrNi
<b>(14) Process connection</b>	
10	Plain cylindrical probe
15	Spiral probe
74	Mounting adaptor for thermowell
<b>(15) Probe diameter</b>	
4	4 mm
6	6 mm
56	56 mm
<b>(16) Probe diameter 2</b>	
0	Only single thermostat
4	4 mm
6	6 mm
<b>(17) Insertion length EL in mm</b>	
0	Only probe
100	100 mm
150	150 mm
200	200 mm
300	300 mm
<b>(18) Extra codes</b>	
000	None
073	SIL and IPL approval
083	PESO (India)
084	CCC-Ex (China)
240	EAC-Ex approval
372	IECEx-protection type according to IEC 60079..
861	Protection type IP66 according to DIN EN 60529

Order code                    (1)        (2)        (3)        (4)        (5)        (6)        (7)        (8)        (9)        (10) -  
     /  -  -  -  -  -  -  -  -  -  -  -  
 Order example                605055 / 0020 - 5 - 4 - 195 - 000 - 21 - 467 - 70 - 00 -

   (11)        (12)        (13)        (14)        (15)        (16)        (17)        (18)  
     -  -  -  -  -  -  /   
    1000 - 0 - 20 - 10 - 6 - 0 - 0 / 000

**JUMO GmbH & Co. KG**  
 Delivery address: Mackenrodtstraße 14  
 36039 Fulda, Germany  
 Postal address: 36035 Fulda, Germany  
 Phone: +49 661 6003-0  
 Fax: +49 661 6003-607  
 Email: mail@jumo.net  
 Internet: www.jumo.net

**JUMO Instrument Co. Ltd.**  
 JUMO House  
 Temple Bank, Riverway  
 Harlow, Essex, CM20 2DY, UK  
 Phone: +44 1279 63 55 33  
 Fax: +44 1279 62 50 29  
 Email: sales@jumo.co.uk  
 Internet: www.jumo.co.uk

**JUMO Process Control, Inc.**  
 6724 Joy Road  
 East Syracuse, NY 13057, USA  
 Phone: +1 315 437 5866  
 Fax: +1 315 437 5860  
 Email: info.us@jumo.net  
 Internet: www.jumousa.com



## Stock versions

Designation	Control range (TW)	Capillary length	Probe diameter	Part no.
605055/002-6-4-013-00-21-467-25-00-0-0-20-15-56-0-0/000	-20 to +40 °C	0 mm	56 mm	60003366
605055/0020-5-4-014-000-21-467-70-00-1000-0-20-10-6-0-0/000	-20 to +50 °C	1000 mm	6 mm	60003365
605055/0020-5-4-026-000-21-467-70-00-1000-0-20-10-6-0-0/000	0 to 120 °C	1000 mm	6 mm	60003367
605055/0070-5-4-026-000-21-467-00-00-1000-0-20-10-6-0-0/000	0 to 120 °C	1000 mm	6 mm	60003421
605055/0070-5-4-429-000-21-467-00-00-1000-0-20-10-6-0-0/000	70 to 190 °C	1000 mm	6 mm	60003423
605055/0020-5-4-195-000-21-467-70-00-1000-0-20-10-6-0-0/000	0 to 190 °C	1000 mm	6 mm	60003424
605055/0002-5-4-195-000-21-467-25-00-1000-0-20-10-6-0-0/000	0 to 190 °C	1000 mm	6 mm	60003425
605055/0020-5-4-427-000-21-467-70-00-1000-0-20-10-6-0-0/000	60 to 300 °C	1000 mm	6 mm	60003426