



ENAPART



93 S Railroad Avenue Unit C
Bergenfield NJ 07621 USA
www.enapart.com
sales@enapart.com



Via del Canneto 35,
Borgosatollo, Brescia - Italia
www.enapart.it
vendite@enapart.it



Barbaros Mah. Ihlamur Bul. Aĝaoĝlu
My Newwork No:3/15 Ataşehir / İstanbul
www.enapart.net
satis@enapart.net



PRIVADA 10 B SUR #3908 COL.
ANZUREZ, C.P. 72530, PUEBLA, PUE
www.enapart.com.mx
sales@enapart.com.mx



Friedrich-Ebert-Anlage 36, 60325
Frankfurt am Main, Germany
www.enapart.de
anfrage@enapart.de



4 boulevard Carnot, 95400
villiers-le-bel, Paris, France
www.enapart.fr
sales@enapart.fr



65049, ОДЕСА, ВУЛИЦЯ ІВАНА
ФРАНКА, БУДИНОК 55, ПОВЕРХ 3
www.enapart.com.ua
sales@enapart.com.ua



MUNICIPIUL BUCUREȘTI, SECTOR 3,
B-DUL BASARABIA, NR.250, CORP P+5
www.enapart.ro
sales@enapart.ro



〒584-0023 大阪府富田林市若松町
東2丁目2番16号
www.enapart.co.jp
sales@enapart.co.jp



PLAZA NUESTRA SEÑORA DE LAS
NIEVES 12 ,LOCAL ,50012,ZARAGOZA
www.enapart.es
ventas@enapart.es



Складова база „Онгъл“, Склад А2, п.к.
4006, гр. Пловдив, България
www.enapart.bg
sales@enapart.bg



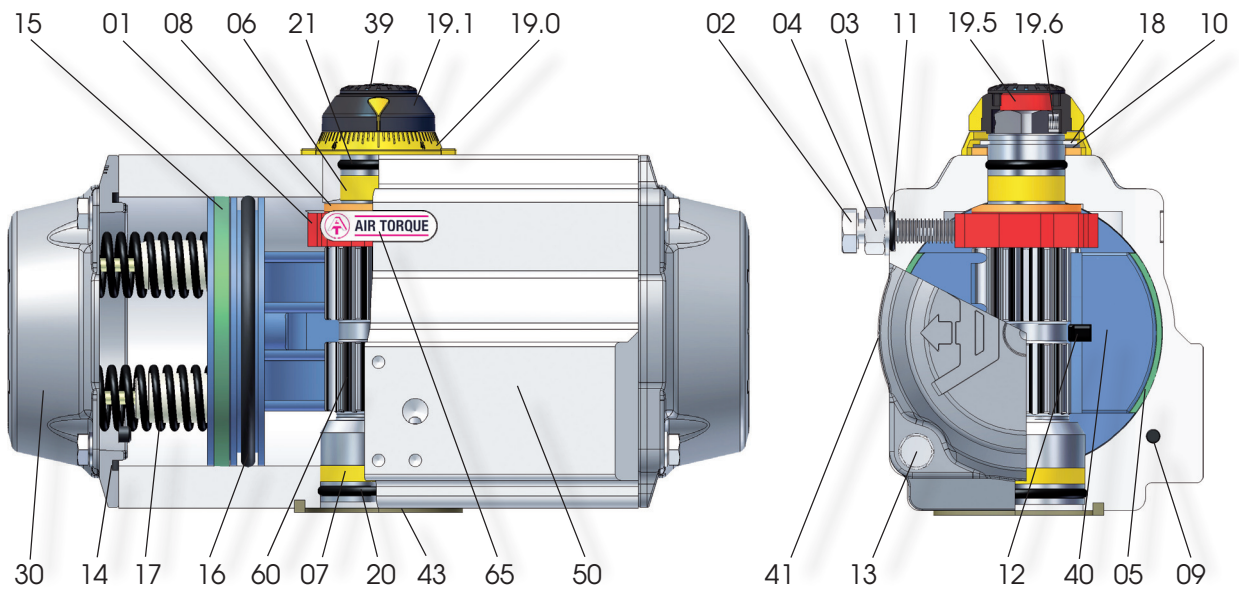
3 Austin Mews, High Street, Hemel
Hempstead, HP1 3AF , United Kingdom
www.enapart.co.uk
sales@enapart.co.uk



The EDITION 2010
Part Description
DR/SC0060U-02000U



AIR TORQUE
PNEUMATISCHE STELLANTRIEBE



| PART N° | Spare parts | UNIT Q.TY / NOTE | PART DESCRIPTION | STANDARD MATERIAL (A) (B) |
|---------|-------------|-------------------------------|---------------------------------|---|
| 01 | | 1 | OCTI-CAM (Stop arrangement) | Stainless Steel (for AT201U , AT301U) Carbon Steel (for AT351U y AT651U) , zinc coated |
| 02 | | 2 | STOP CAP SCREW | Stainless Steel |
| 03 | | 2 | WASHER | Stainless Steel |
| 04 | | 2 | NUT (Stop screw) | Stainless Steel |
| 05 | ○ | 2 | BEARING (Piston back) | PA46 |
| 06 | ○ | 1 | BEARING (Pinion top) | High-grade polymers |
| 07 | ○ | 1 | BEARING (Pinion bottom) | High-grade polymers |
| 08 | ○ | 1 | THRUST BEARING (Pinion) | PA46 |
| 09 | ○ ⊕ | 2 | PLUG | Silicone |
| 10 | | 1 | THRUST WASHER (Pinion) | Stainless Steel |
| 11 | ○ ⊕ | 2 | "O" RING (Stop screw) | M-NBR |
| 12 | | 2 | PISTON GUIDE | PA66+GF |
| 13 | | 8 | CAP SCREW (End cap) | Stainless Steel |
| 14 | ○ ⊕ | 2 | "O" RING (End cap) | M-NBR |
| 15 | ○ | 2 | BEARING (Piston head) | POM |
| 16 | ○ ⊕ | 2 | "O" RING (Piston) | M-NBR |
| 17 | | min.05 max.12 | SPRING (Cartridge) | SiCr Spring alloy Steel epoxy coated |
| 18 | | 1 | SPRING CLIP (Pinion) | Spring Steel, ENP |
| 19.0 | | 1 | GRADUATED RING | PA66+GF+CB |
| 19.1 | | 1 | POSITION INDICATOR | PA66+GF+(CB) |
| 19.5 | | 1 | TOP ADAPTOR | Extruded Aluminium alloy, anodized |
| 19.6 | | 2 | HEX. SOCKET SCREW (Top Adaptor) | Stainless Steel |
| 20 | ○ ⊕ | 1 | "O" RING (Pinion bottom) | M-NBR |
| 21 | ○ ⊕ | 1 | "O" RING (Pinion top) | M-NBR |
| 30 | | 2 | END CAP | Pressure Die Cast Aluminium alloy, anodized and coated |
| 39 | | 1 | CAP SCREW (Indicator) | PA66+GF+CB |
| 40 | | 2 | PISTON | Pressure Die Cast Aluminium alloy, anodized |
| 41 | | 1 | ACTUATOR IDENTIFICATION LABEL | Polyester-Silver |
| 43 | | 1 | SPIGOT (Only on request) | Extruded Aluminium alloy, anodized |
| 50 | | 1 | BODY | Extruded Aluminium alloy, coated |
| 60 | | 1 | DRIVE SHAFT | Steel, ENP |
| 60.1 | | 1 only f prof. level E and EC | INTEGRAL DRIVE SHAFT | Stainless Steel, ENP |
| 65 | | 1 | PLASTIC INSERT | Modified PA66 |

○ Parts included in Complete spare parts kit ⊕ Parts included in „O“ ring spare parts kit